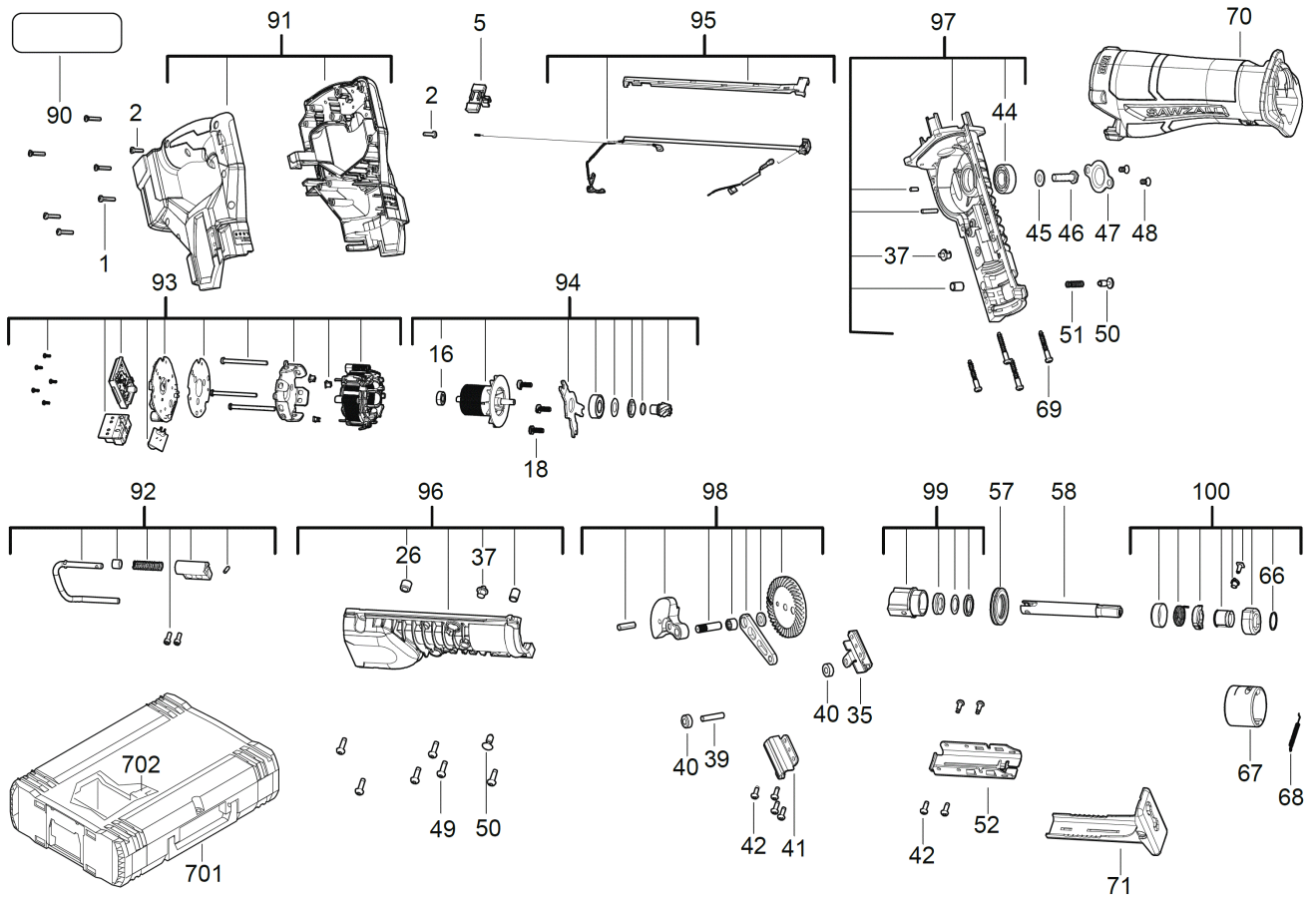


M18FSZ-502X SAWZALL IN2

4933478291 - M18FSZ-502X - 4000497590





Position	Quantity	Description	Part number	EAN
0001 1	6	SCREW	06827261	4058546068967
0002 2	2	SCREW	4931454146	4002395285600
0005 3	1	SLIDER	4931473770	4058546363383
0016 4	1	BEARING	4931473771	4058546363390
0018 5	3	SCREW	4931436635	4002395258017
0026 6	1	BUSHING	4931473772	4058546363406
0035 7	1	SUPPORT BRACKET	4931473773	4058546363413
0037 8	2	PIN	4931473774	4058546363420
0039 9	1	PIN	4931473775	4058546363437
0040 10	2	SPACER	4931473776	4058546363444
0041 11	1	COVER	4931473777	4058546363451
0042 12	8	SCREW	661113007	4002395824502
0044 13	1	BALL BEARING	4931473778	4058546363468
0045 14	1	WASHER	4931473779	4058546363475
0046 15	1	SCREW	4931473780	4058546363482
0047 16	1	PLATE	4931436036	4002395878390
0048 17	2	SCREW	4931473781	4058546363499
0049 18	6	SCREW	4931435228	4002395860128
0050 19	2	BUTTON	4931473782	4058546363505
0051 20	1	SPRING	4931473783	4058546363512
0052 21	1	BRACKET	4931473784	4058546363529
0057 22	1	SEAL	4931473786	4058546363543
0058 23	1	SPINDLE	4931494973	4058546486419
0066 24	1	RETAINING RING	4931473788	4058546363567
0067 25	1	CAM	4931473789	4058546363574
0068 26	1	SPRING	4931436050	4002395876334
0069 27	4	SCREW	4931454053	4002395282098
0070 28	1	COVER	4931473790	4058546363581
0071 29	1	SHOE REL.LEVER KIT	4931473791	4058546363598
0090 30	1	RATING PLATE	4931495547	4058546492151
0091 31	1	HOUSING	4931473793	4058546363611
0092 32	1	HOOK	4931473794	4058546363628
0093 33	1	ELECTRONIC	4931495548	4058546492168
0094 34	1	ROTOR	4931495549	4058546492175
0095 35	1	LED LIGHT	4931473797	4058546363659
0096 36	1	GEAR CASE	4931473798	4058546363666
0097 37	1	GEAR CASE	4931473799	4058546363673
0098 38	1	CRANK ASSEMBLY	4931473800	4058546363680
0099 39	1	BUSHING	4931473801	4058546363697
0100 40	1	ACCEPTANCE	4931473802	4058546363703
0702 41	1	INSERT	4931473803	4058546363710