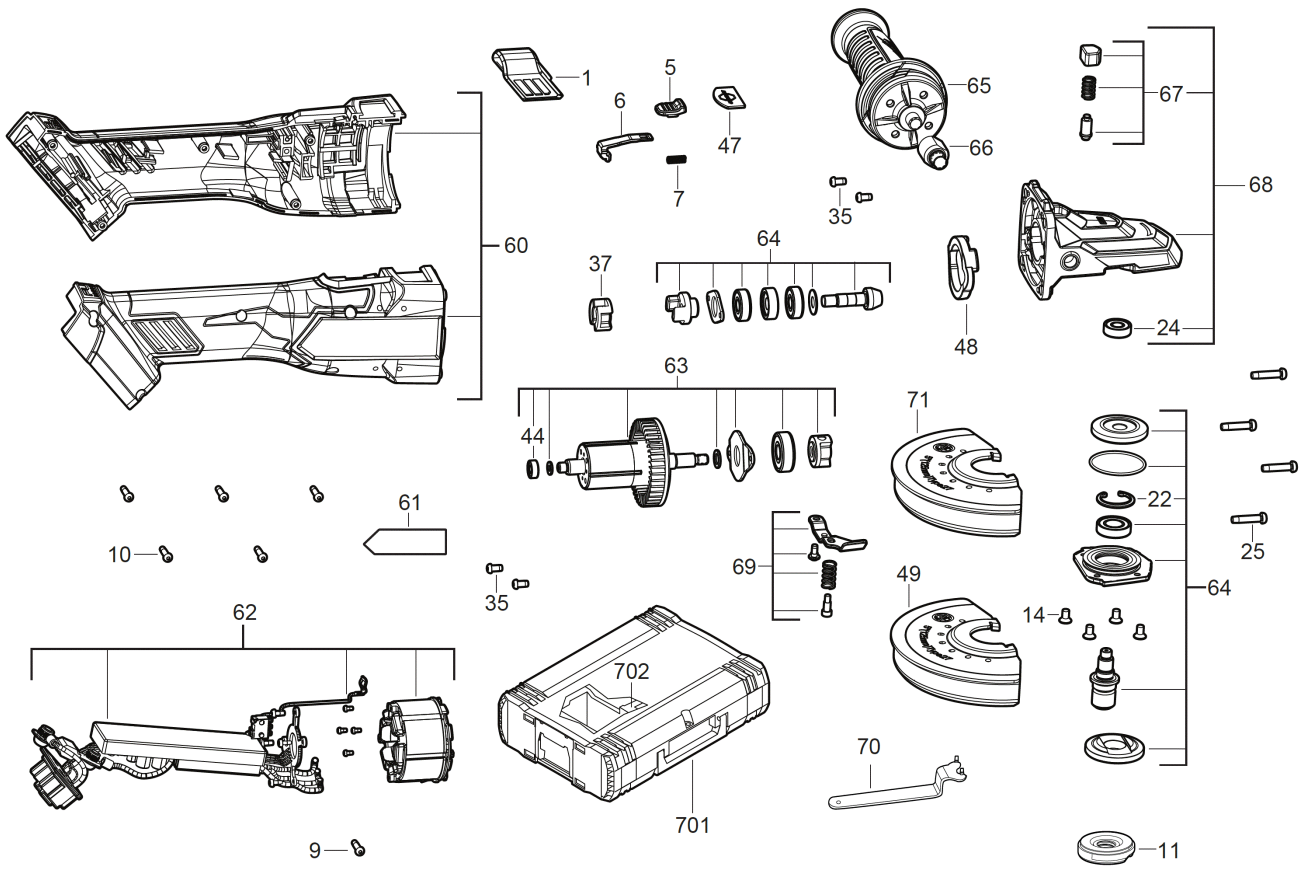


M18FSAGF125XB-0X

4933478438 - M18FSAGF125XB-0X - 4000509145





Position	Quantity	Description	Part number	EAN
0001 1	1	DUST CAP	4931479275	4058546385903
0005 2	1	SLIDER	4931479272	4058546385873
0006 3	1	SLEEVE GUIDE	4931479399	4058546387143
0007 4	1	SPRING	4931479273	4058546385880
0009 5	1	SCREW	4931436686	4002395258260
0010 6	5	SCREW	660031017	4002395825189
0011 7	1	FIXTEC NUT	4931466273	4058546274900
0014 8	4	SCREW	4931479452	4058546387679
0022 9	1	O-RING	4931479453	4058546387686
0024 10	1	BALL BEARING	4931479454	4058546387693
0025 11	4	SCREW	660024030	4002395826957
0035 12	4	SCREW	4931472712	4058546330149
0037 13	1	COUPLING SLEEVE	4931461253	4058546034252
0044 14	1	BALL BEARING	4931479271	4058546385866
0047 15	1	COVER	4931479398	4058546387136
0048 16	1	RUBBER BUMPER	4931479455	4058546387709
0049 17	1	GUARD	4931479456	4058546387716
0060 18	1	HOUSING	4931479457	4058546387723
0061 19	1	RATING PLATE	4931507941	4058546626037
0062 20	1	ELECTRONIC	4931479459	4058546387747
0063 21	1	ROTOR	4931479460	4058546387754
0064 22	1	PINION	4931479461	4058546387761
0065 23	1	AUXILIARY HANDLE	4931435002	4002395855919
0066 24	1	EXTENSION	4931479462	4058546387778
0067 25	1	LOCK COMPLETE	4931479463	4058546387785
0068 26	1	GEAR CASE	4931479464	4058546387792
0069 27	1	LOCKING PIECE	4931479465	4058546387808
0070 28	1	WRENCH	4931466910	4058546281274
0071 29	1	CUTTING GUARD	4931479466	4058546387815
0702 30	1	INSERT	4931479467	4058546387822