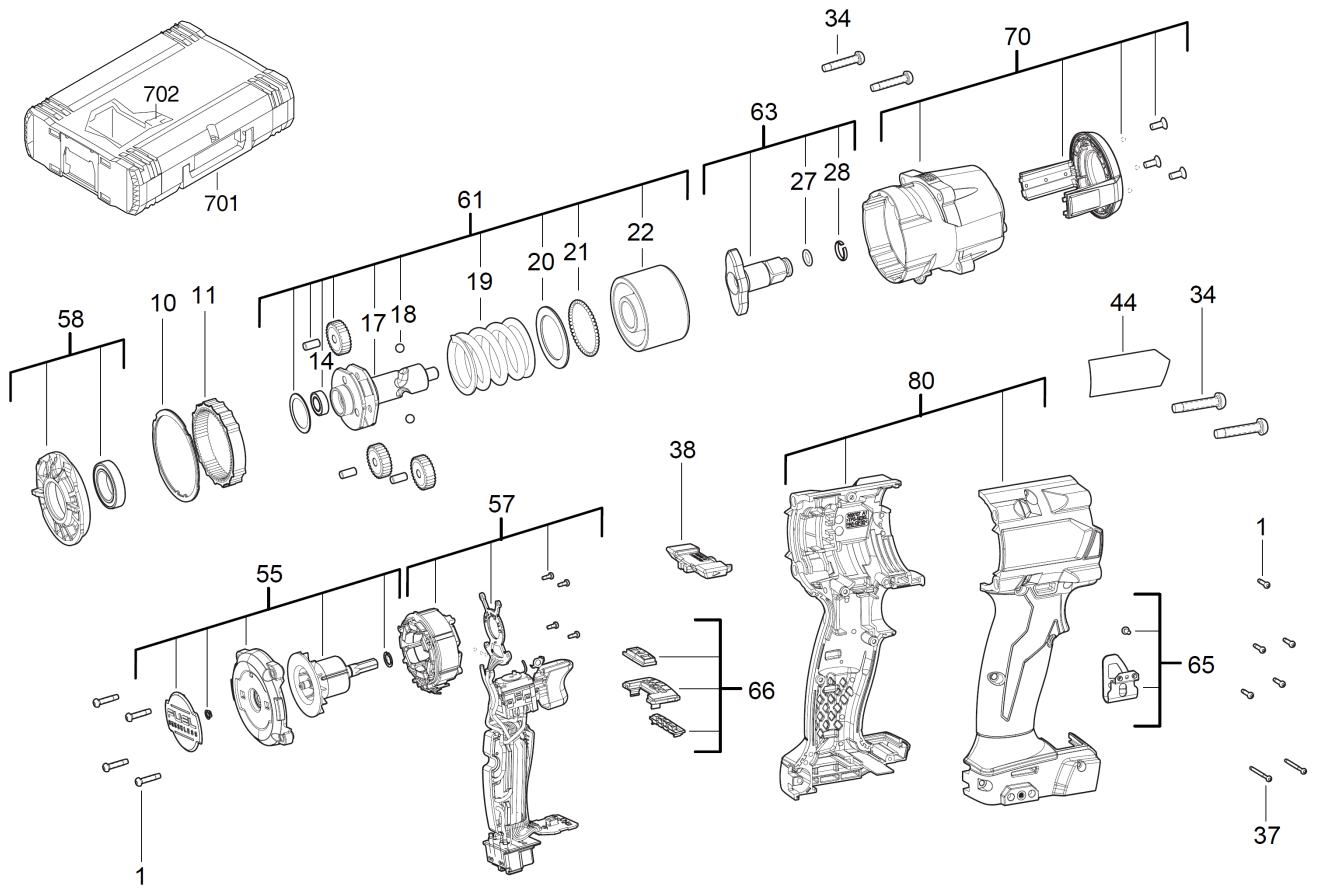


M18FMTIW2F12-0X MID IMPACT WRENCH XXX

4933478449 - M18FMTIW2F12-0X - 4000477708





Position	Quantity	Description	Part number	EAN
0001 1	9	SCREW	4931454853	4058546020279
0010 2	1	GASKET	4931473576	4058546354527
0011 3	1	INTERN.GEARED WHEEL	4931473577	4058546354534
0014 4	1	BEARING	4931473578	4058546354541
0017 5	1	CAM SHAFT	4931473579	4058546354558
0018 6	2	BALL	680595003	4002395823888
0019 7	1	SPRING	4931473580	4058546354565
0020 8	1	WASHER	4931473581	4058546354572
0021 9	45	BALL	4931465813	4058546239138
0022 10	1	HAMMER	4931473582	4058546354589
0027 11	1	O-RING	4931416492	4002395898367
0028 12	1	CIRCLIP	4931416493	4002395898374
0034 13	4	SCREW	4931454838	4058546020125
0037 14	2	SCREW	4931454852	4058546020262
0038 15	1	SLIDER	4931473583	4058546354596
0044 16	1	RATING PLATE	4931473584	4058546354602
0055 17	1	ROTOR	4931473585	4058546354619
0057 18	1	ELECTRONIC	4931473586	4058546354626
0058 19	1	CAP	4931473587	4058546354633
0061 20	1	GEAR BOX KIT	4931473588	4058546354640
0063 21	1	ANVIL	4931473589	4058546354657
0065 22	1	BELT CLIP	4931465831	4058546239312
0066 23	1	SPEED CONTROL	4931473553	4058546354299
0070 24	1	GEAR BOX HOUSING	4931473590	4058546354664
0080 25	1	HOUSING	4931473591	4058546354671
0701 26	1	HD Box 1 - 1pc	4932453385	4002395146376
0702 27	1	INSERT	4931473592	4058546354688