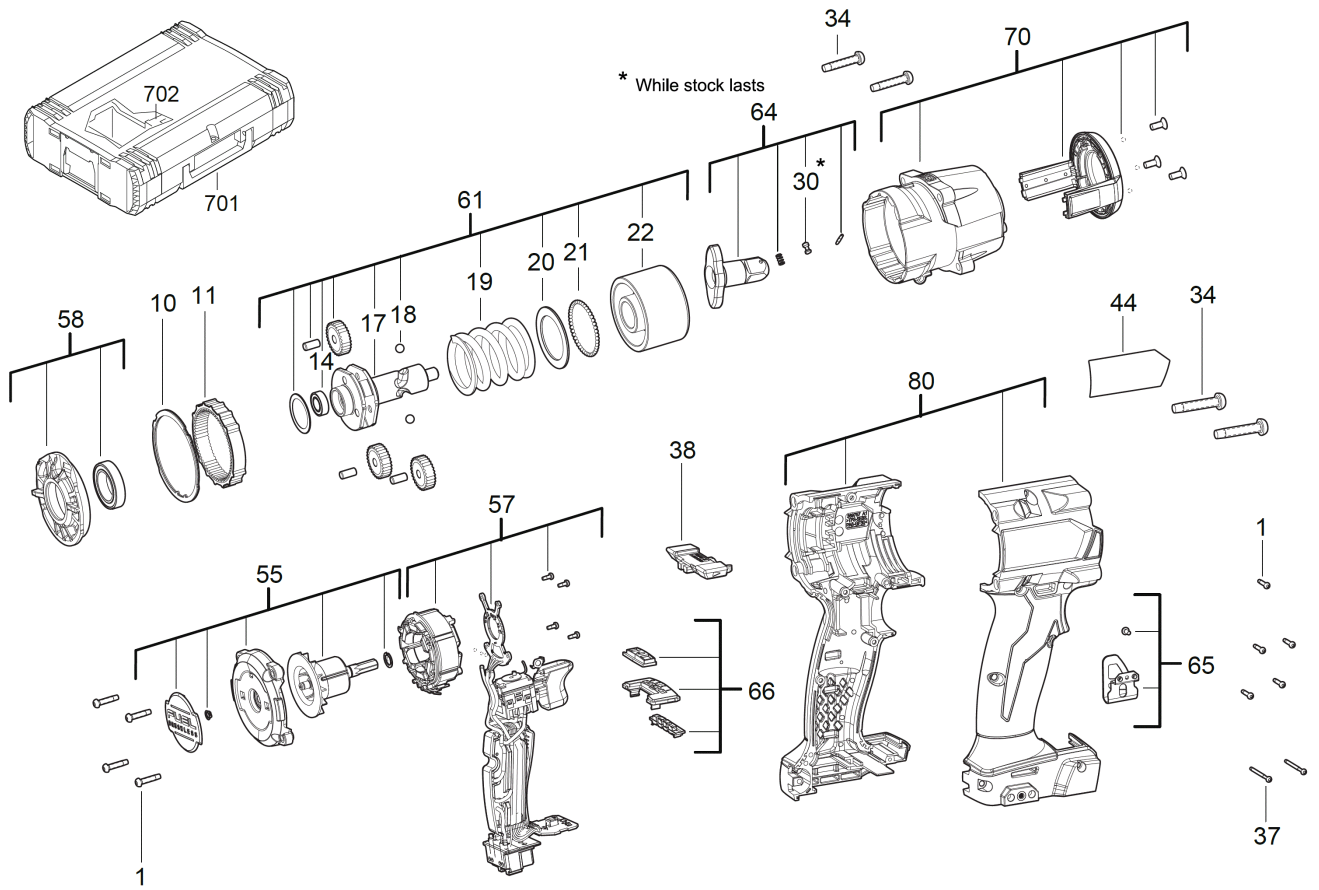


M18FMTIW2P12-0X MID IMPACT WRENCH XXX

4933478452 - M18FMTIW2P12-0X - 4000477719





| Position | Quantity | Description | Part number | EAN |
|----------|----------|---------------------|-------------------------------|---------------|
| 0001 1 | 9 | SCREW | 4931454853 | 4058546020279 |
| 0010 2 | 1 | GASKET | 4931473576 | 4058546354527 |
| 0011 3 | 1 | INTERN.GEARED WHEEL | 4931473577 | 4058546354534 |
| 0014 4 | 1 | BEARING | 4931473578 | 4058546354541 |
| 0017 5 | 1 | CAM SHAFT | 4931473579 | 4058546354558 |
| 0018 6 | 2 | BALL | 4931454841 | 4058546020156 |
| 0019 7 | 1 | SPRING | 4931473580 | 4058546354565 |
| 0020 8 | 1 | WASHER | 4931473581 | 4058546354572 |
| 0021 9 | 45 | BALL | 4931465813 | 4058546239138 |
| 0022 10 | 1 | HAMMER | 4931473582 | 4058546354589 |
| 0030 11 | 1 | PIN | Item discontinued(4931473593) | |
| 0034 12 | 4 | SCREW | 4931454838 | 4058546020125 |
| 0037 13 | 2 | SCREW | 4931454852 | 4058546020262 |
| 0038 14 | 1 | SLIDER | 4931473583 | 4058546354596 |
| 0044 15 | 1 | RATING PLATE | 4931473594 | 4058546354701 |
| 0055 16 | 1 | ROTOR | 4931473585 | 4058546354619 |
| 0057 17 | 1 | ELECTRONIC | 4931473586 | 4058546354626 |
| 0058 18 | 1 | CAP | 4931473587 | 4058546354633 |
| 0061 19 | 1 | GEAR BOX KIT | 4931473588 | 4058546354640 |
| 0064 20 | 1 | ANVIL | 4931473595 | 4058546354718 |
| 0065 21 | 1 | BELT CLIP | 4931465831 | 4058546239312 |
| 0066 22 | 1 | SPEED CONTROL | 4931473553 | 4058546354299 |
| 0070 23 | 1 | GEAR BOX HOUSING | 4931473590 | 4058546354664 |
| 0080 24 | 1 | HOUSING | 4931473591 | 4058546354671 |
| 0702 25 | 1 | INSERT | 4931473592 | 4058546354688 |