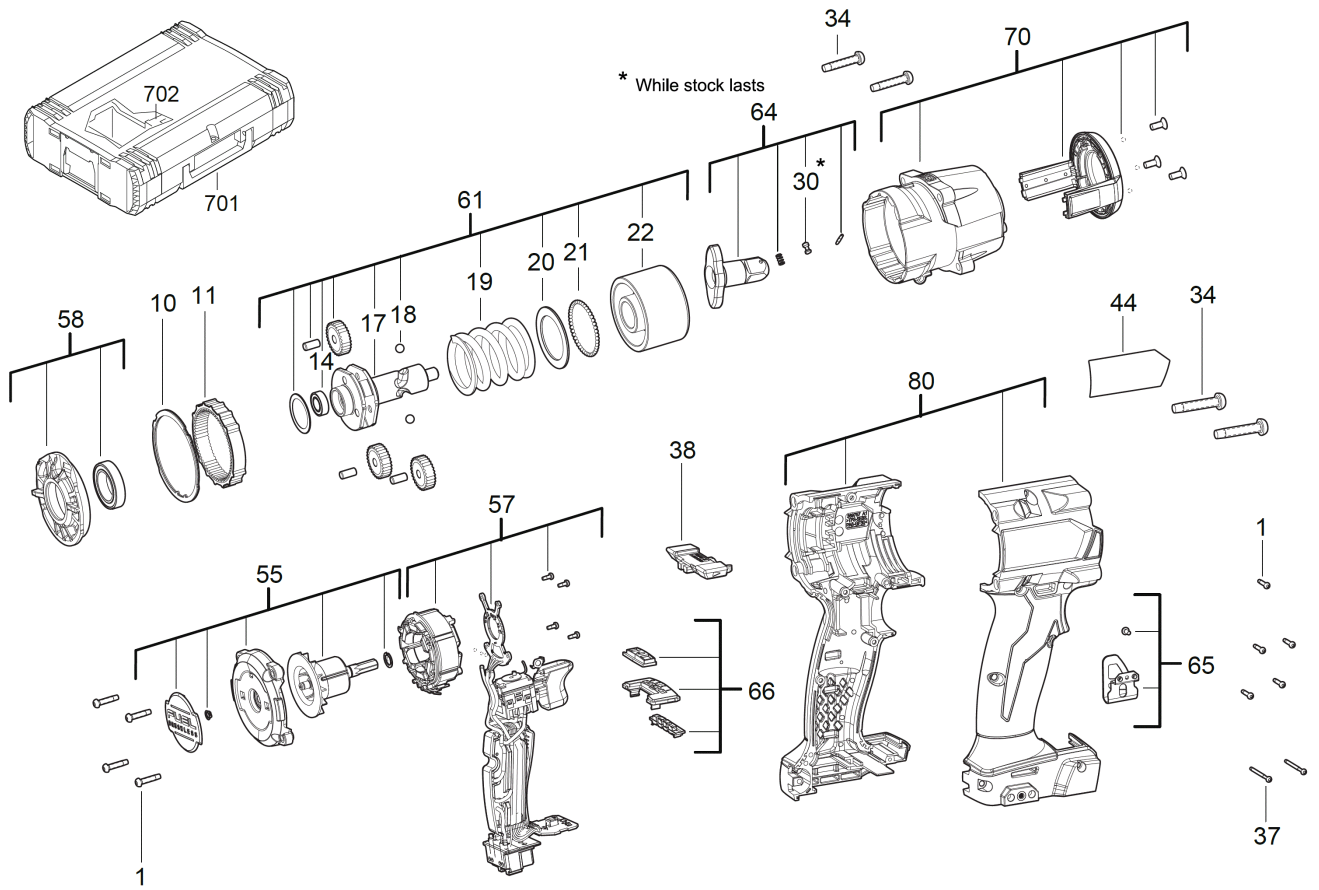


# **M18FMTIW2P12-502X MID IMPACT WRENCH IN2**

**4933478453 - M18FMTIW2P12-502X - 4000477719**





| Position | Quantity | Description         | Part number                   | EAN           |
|----------|----------|---------------------|-------------------------------|---------------|
| 0001 1   | 9        | SCREW               | 4931454853                    | 4058546020279 |
| 0010 2   | 1        | GASKET              | 4931473576                    | 4058546354527 |
| 0011 3   | 1        | INTERN.GEARED WHEEL | 4931473577                    | 4058546354534 |
| 0014 4   | 1        | BEARING             | 4931473578                    | 4058546354541 |
| 0017 5   | 1        | CAM SHAFT           | 4931473579                    | 4058546354558 |
| 0018 6   | 2        | BALL                | 4931454841                    | 4058546020156 |
| 0019 7   | 1        | SPRING              | 4931473580                    | 4058546354565 |
| 0020 8   | 1        | WASHER              | 4931473581                    | 4058546354572 |
| 0021 9   | 45       | BALL                | 4931465813                    | 4058546239138 |
| 0022 10  | 1        | HAMMER              | 4931473582                    | 4058546354589 |
| 0030 11  | 1        | PIN                 | Item discontinued(4931473593) |               |
| 0034 12  | 4        | SCREW               | 4931454838                    | 4058546020125 |
| 0037 13  | 2        | SCREW               | 4931454852                    | 4058546020262 |
| 0038 14  | 1        | SLIDER              | 4931473583                    | 4058546354596 |
| 0044 15  | 1        | RATING PLATE        | 4931473594                    | 4058546354701 |
| 0055 16  | 1        | ROTOR               | 4931473585                    | 4058546354619 |
| 0057 17  | 1        | ELECTRONIC          | 4931473586                    | 4058546354626 |
| 0058 18  | 1        | CAP                 | 4931473587                    | 4058546354633 |
| 0061 19  | 1        | GEAR BOX KIT        | 4931473588                    | 4058546354640 |
| 0064 20  | 1        | ANVIL               | 4931473595                    | 4058546354718 |
| 0065 21  | 1        | BELT CLIP           | 4931465831                    | 4058546239312 |
| 0066 22  | 1        | SPEED CONTROL       | 4931473553                    | 4058546354299 |
| 0070 23  | 1        | GEAR BOX HOUSING    | 4931473590                    | 4058546354664 |
| 0080 24  | 1        | HOUSING             | 4931473591                    | 4058546354671 |
| 0702 25  | 1        | INSERT              | 4931473592                    | 4058546354688 |