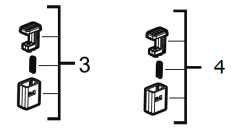
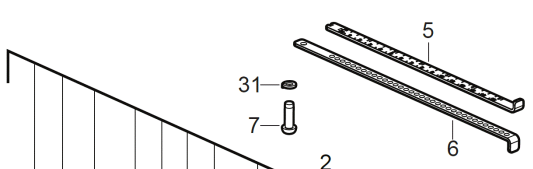
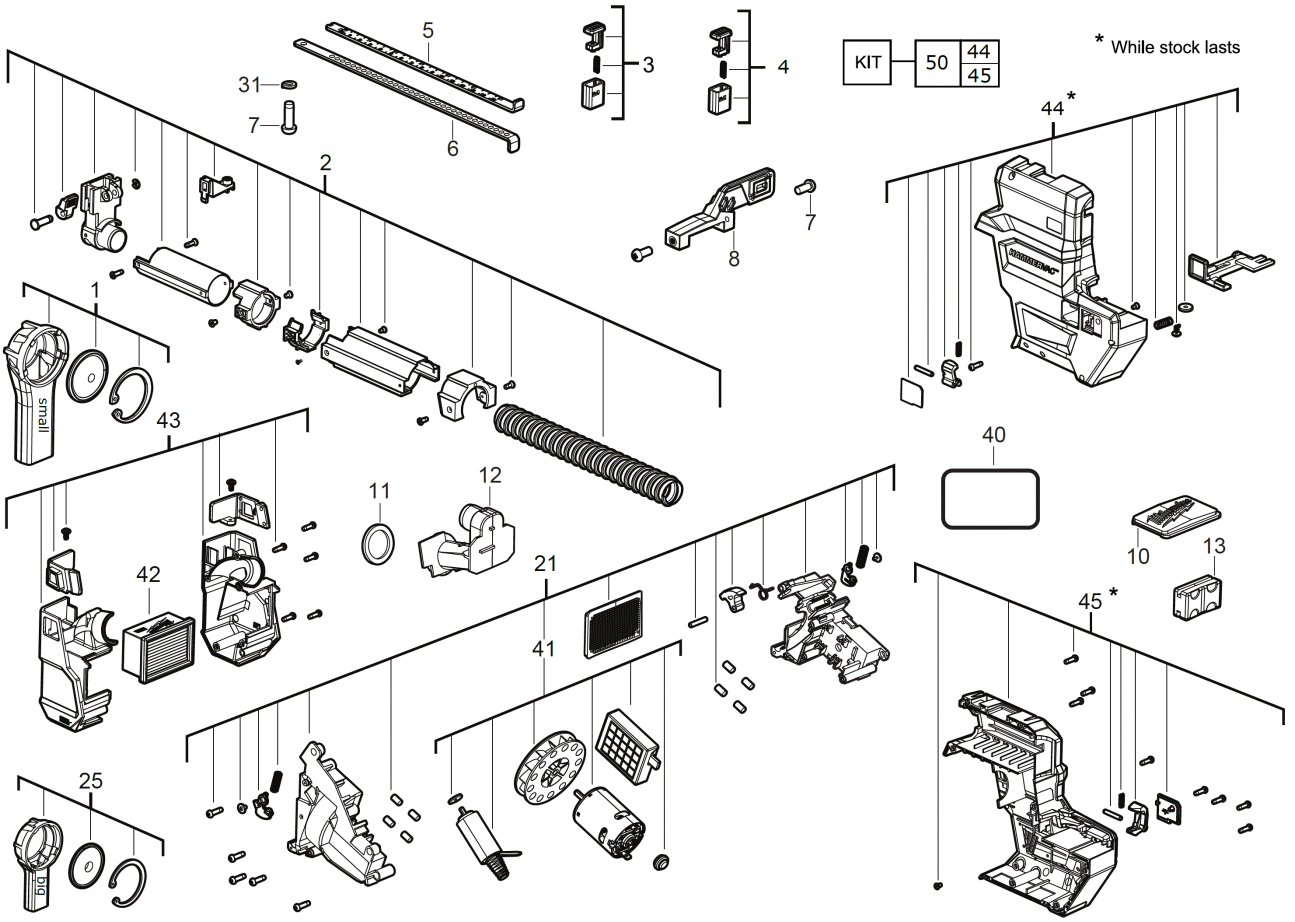


M18ONEFHPXDEL-552C F.SDS 30MM HAMMER IN2

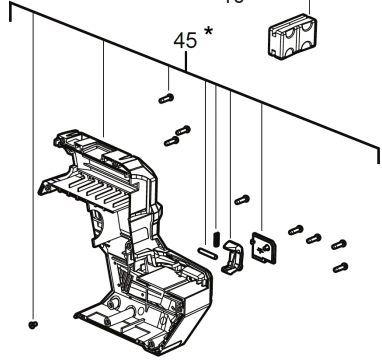
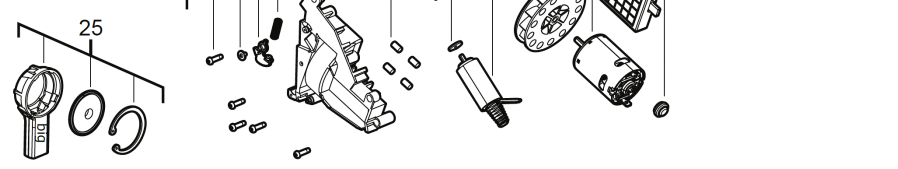
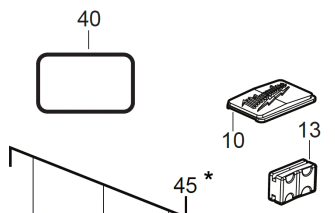
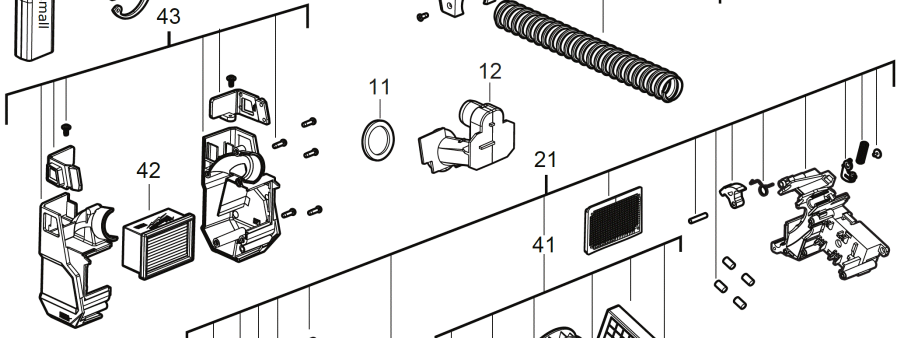
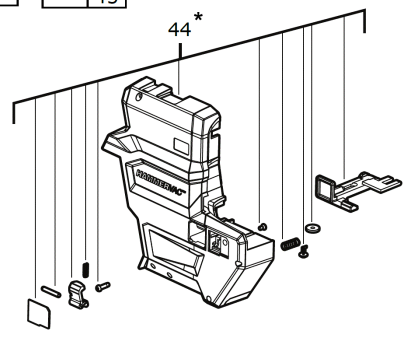
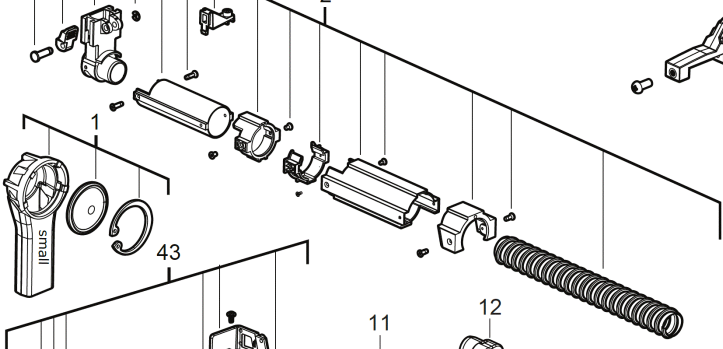
4933478498 - M18ONEFHPXDEL-552C - 4000483417





KIT	50	44
		45

* While stock lasts



Position	Quantity	Description	Part number	EAN
0001 1	1	NOZZLE	4931473294	4058546335960
0002 2	1	TUBE	4931479903	4058546396664
0003 3	1	STOP	4931473292	4058546335946
0004 4	1	STOP	4931473293	4058546335953
0005 5	1	SCALE	4931479904	4058546396671
0006 6	1	DISTANCE PIECE	4931479905	4058546396688
0007 7	3	SCREW	4931479676	4058546394394
0008 8	1	STOP	4931479677	4058546394400
0010 9	1	COVER	4931479678	4058546394417
0011 10	1	GASKET	4931473289	4058546335915
0012 11	1	DIRECT.DUST CHUTE	4931479909	4058546396725
0013 12	1	RUBBER BUMPER	4931479680	4058546394431
0021 13	1	ELECTRONIC	4931479906	4058546396695
0025 14	1	NOZZLE	4931473295	4058546335977
0031 15	1	PROTECTION WASHER	680866003	4002395823895
0040 16	1	RATING PLATE	4931479907	4058546396701
0041 17	1	MOTOR	4931479908	4058546396718
0042 18	1	M12DE DUST FILTER FILTER - 3PC	49902306	45242299454
0043 19	1	DUST BOX ASSY	4931479684	4058546394479
0044 20	1	HOUSING LEFT	4931479910	4058546396732
0045 21	1	HOUSING RIGHT	4931479911	4058546396749
0050 22	1	HOUSING	4931496999	4058546553135