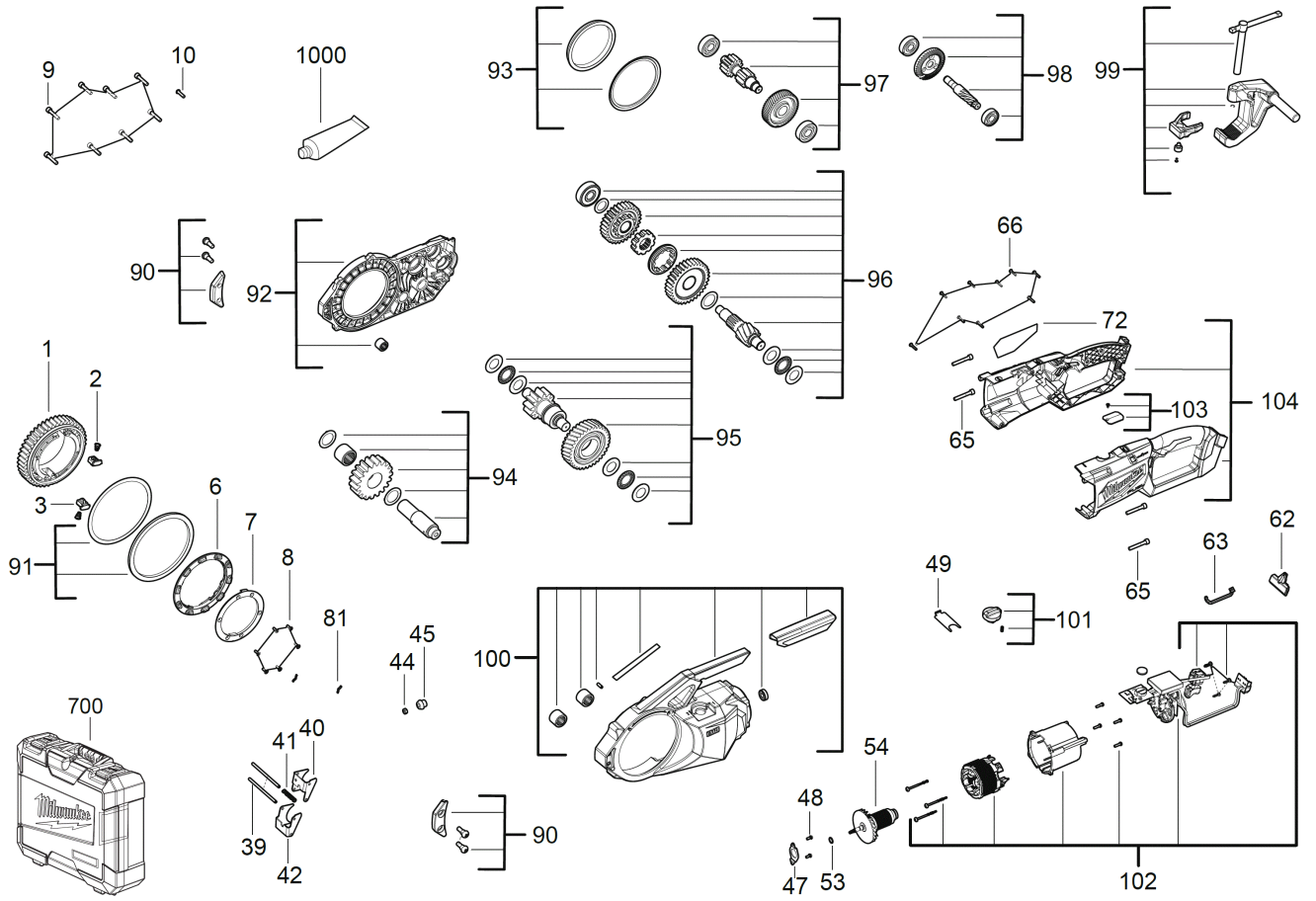


M18FPT2-0C FUEL PIPE THREADER 2IN XXX

4933478596 - M18FPT2-0 - 4000510466





Position	Quantity	Description	Part number	EAN
0001 1	1	GEAR	4931479159	4058546367275
0002 2	2	SPRING	4931479160	4058546367282
0003 3	2	INSERT	4931479161	4058546367299
0006 4	1	DISC	4931479162	4058546367305
0007 5	1	RETAINING PLATE	4931479163	4058546367312
0008 6	6	SCREW	4931479164	4058546367329
0009 7	8	SCREW	4931479165	4058546367336
0010 8	1	SCREW	4931466683	4058546279004
0039 9	2	GUIDE BOLT	4931453101	4002395151356
0040 10	1	BRACKET	4931479166	4058546367343
0041 11	1	SPRING	4931479167	4058546367350
0042 12	1	BRACKET	4931479168	4058546367367
0044 13	1	NUT	671686001	4002395824526
0045 14	1	PINION	4931479169	4058546367374
0047 15	1	BEARING CAGE	672569001	4002395824533
0048 16	2	SCREW	4931465856	4058546239565
0049 17	1	RETAINING PLATE	4931479170	4058546367381
0053 18	1	WASHER	4931479270	4058546385859
0054 19	1	ROTOR	4931479171	4058546367398
0062 20	1	SLIDER	4931479172	4058546367404
0063 21	1	LENS	4931479173	4058546367411
0065 22	4	SCREW	4931479174	4058546367428
0066 23	9	SCREW	06827261	4058546068967
0072 24	1	RATING PLATE	4931510548	4058546650339
0081 25	2	SPRING PLATE	4931452341	4002395172528
0090 26	2	RUBBER BUMPER	4931479176	4058546367442
0091 27	1	WASHER	4931479177	4058546367459
0092 28	1	GEAR CASE	4931479178	4058546367466
0093 29	1	RUBBER DISC	4931479179	4058546367473
0094 30	1	DRIVING SHAFT	4931479180	4058546367480
0095 31	1	DRIVING SHAFT	4931479181	4058546367497
0096 32	1	DRIVING SHAFT	4931479182	4058546367503
0097 33	1	DRIVING SHAFT	4931479183	4058546367510
0098 34	1	DRIVING SHAFT	4931479184	4058546367527
0099 35	1	CLAMP	4931479185	4058546367534
0100 36	1	GEAR BOX COVER	4931479186	4058546367541
0101 37	1	TURNING KNOB	4931479187	4058546367558
0102 38	1	ELECTRONIC	4931511124	4058546637866
0103 39	1	CAP	4931479189	4058546367572
0104 40	1	HOUSING	4931479190	4058546367589
0700 41	1	CARRYING CASE	4931479191	4058546367596