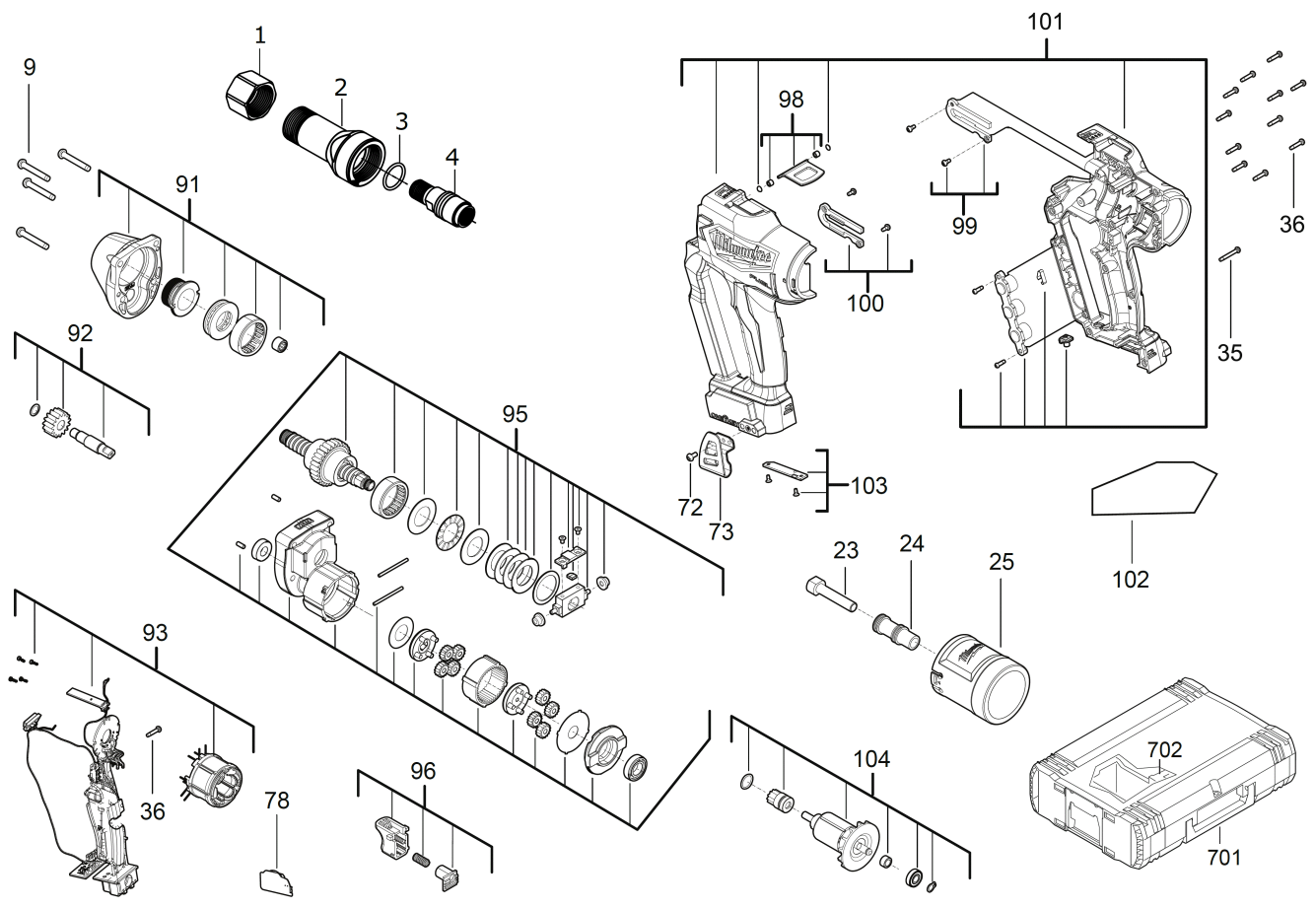


M18ONEFLT-502X LOCKBOLT TOOL IN2

4933478638 - M18ONEFLT-202X - 4000483945



Position	Quantity	Description	Part number	EAN
0001 1	1	NUT	4931480239	4058546422547
0002 2	1	GUIDE SLEEVE	4931480240	4058546422554
0003 3	1	O-RING	4931480241	4058546422561
0004 4	1	SLEEVE	4931480242	4058546422578
0009 5	4	SCREW	4931435158	4002395860722
0023 6	1	GUIDE	4931479224	4058546367923
0024 7	1	GUIDE SLEEVE	4931479225	4058546367930
0025 8	1	CUP	4931494030	4058546429119
0035 9	1	SCREW	4931466865	4058546280826
0036 10	12	SCREW	660570005	4002395827329
0072 11	1	SCREW	4931465986	4058546272036
0073 12	1	HOOK	4931436134	4002395879427
0078 13	1	ELECTRONIC	4931466275	4058546274924
0091 14	1	GEAR CASE	4931479229	4058546367978
0092 15	1	OUTPUT SHAFT KIT	4931479230	4058546367985
0093 16	1	ELECTRONIC	4931479231	4058546385460
0095 17	1	GEAR BOX ASSY	4931479233	4058546385484
0096 18	1	SWITCH	4931479234	4058546385491
0098 19	1	SUSPENSION BOW	4931479235	4058546385507
0099 20	1	LOCKING PIECE	4931479236	4058546385514
0100 21	1	LOCKING PIECE	4931479237	4058546385521
0101 22	1	HOUSING	4931479238	4058546385538
0102 23	1	RATING PLATE	4931480243	4058546422585
0103 24	1	COVER	4931479240	4058546385552
0104 25	1	ROTOR	4931479241	4058546385569
0702 26	1	INSERT	4931479242	4058546385576