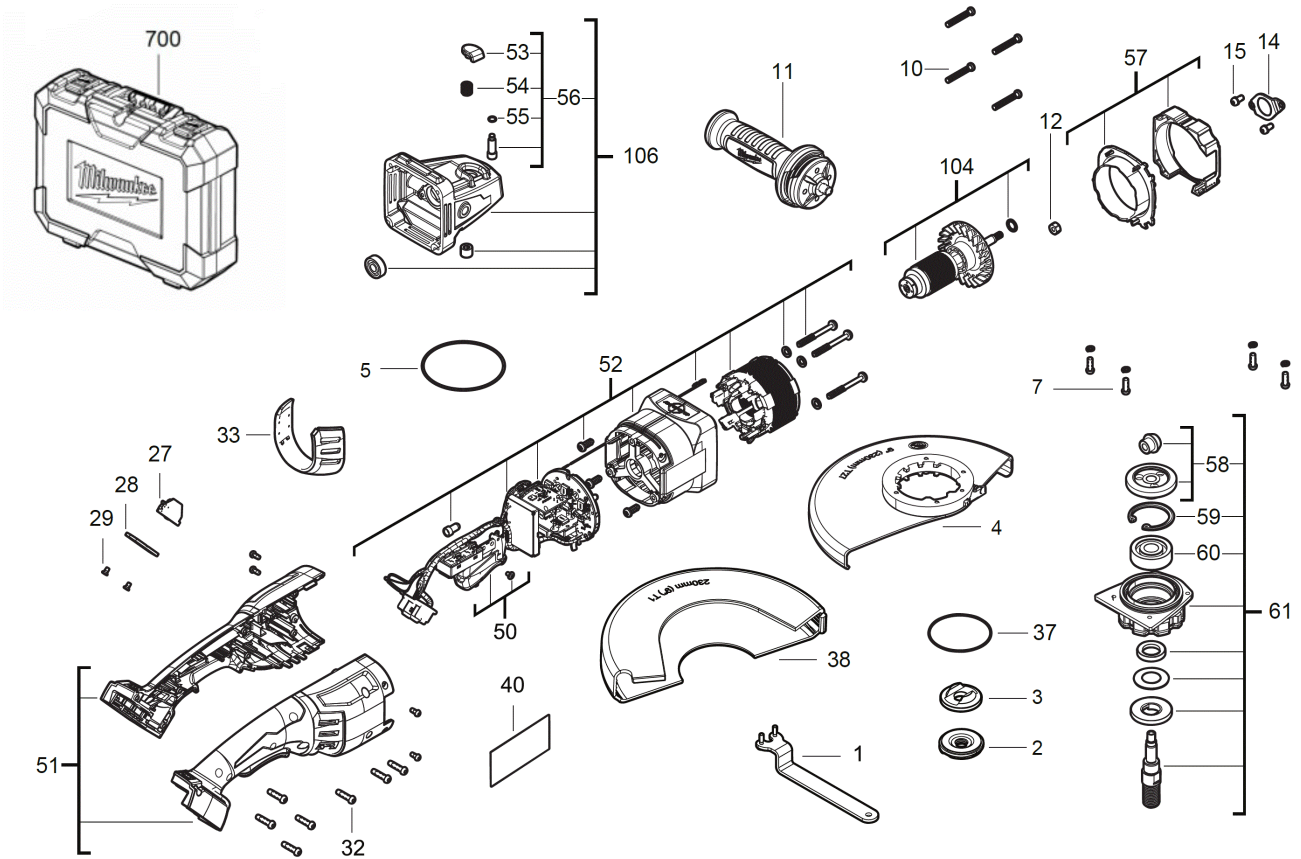


# M18ONEFLAG230XPDB-0C FUEL A.GRIND XXX

4933478782 - M18ONEFLAG230XPDB-0C - 4000509175





| Position | Quantity | Description        | Part number | EAN           |
|----------|----------|--------------------|-------------|---------------|
| 0001 1   | 1        | WRENCH             | 4931466274  | 4058546274917 |
| 0002 2   | 1        | FIXTEC NUT         | 4931466616  | 4058546278335 |
| 0003 3   | 1        | FLANGE             | 4931465842  | 4058546239428 |
| 0004 4   | 1        | GUARD              | 4931480290  | 4058546423056 |
| 0005 5   | 1        | O-RING             | 4931465844  | 4058546239442 |
| 0007 6   | 4        | SCREW              | 660414013   | 4002395823796 |
| 0010 7   | 4        | SCREW              | 4931461254  | 4058546034269 |
| 0011 8   | 1        | AUXILIARY HANDLE   | 4931435002  | 4002395855919 |
| 0012 9   | 1        | NUT                | 671686001   | 4002395824526 |
| 0014 10  | 1        | RETAINER           | 4931435039  | 4002395860364 |
| 0015 11  | 2        | SCREW              | 4931465856  | 4058546239565 |
| 0027 12  | 1        | CONTACT CASE       | 4931479415  | 4058546387303 |
| 0028 13  | 1        | COVER              | 4931480291  | 4058546423063 |
| 0029 14  | 2        | SCREW              | 4931465385  | 4058546234850 |
| 0032 15  | 7        | SCREW              | 4931453124  | 4002395152780 |
| 0033 16  | 1        | DUST FILTER        | 4931465848  | 4058546239480 |
| 0037 17  | 1        | O-RING             | 4931465849  | 4058546239497 |
| 0038 18  | 1        | GUARD              | 4931480292  | 4058546423070 |
| 0040 19  | 1        | RATING PLATE       | 4931507947  | 4058546626099 |
| 0050 20  | 1        | SWITCH             | 4931480294  | 4058546423094 |
| 0051 21  | 1        | HOUSING            | 4931480295  | 4058546423100 |
| 0052 22  | 1        | ELECTRONIC         | 4931480296  | 4058546423117 |
| 0053 23  | 1        | PUSH-BUTTON        | 4931452762  | 4002395169948 |
| 0054 24  | 1        | SPRING             | 4931435005  | 4002395855940 |
| 0055 25  | 1        | O-RING             | 4931435006  | 4002395855957 |
| 0056 26  | 1        | SPINDLE LOCK       | 4931480297  | 4058546423124 |
| 0057 27  | 1        | AIR DEFLECTOR RING | 4931480298  | 4058546423131 |
| 0058 28  | 1        | BEVEL GEAR PAIR    | 4931480299  | 4058546423148 |
| 0059 29  | 1        | CLAMPING RING      | 4931465851  | 4058546239510 |
| 0060 30  | 1        | BALL BEARING       | 4931465850  | 4058546239503 |
| 0061 31  | 1        | SPINDLE KIT        | 4931480300  | 4058546423155 |
| 0104 32  | 1        | ROTOR              | 4931480301  | 4058546423162 |
| 0106 33  | 1        | GEAR COVER         | 4931480302  | 4058546423179 |
| 0700 34  | 1        | CARRYING CASE      | 4931480303  | 4058546423186 |