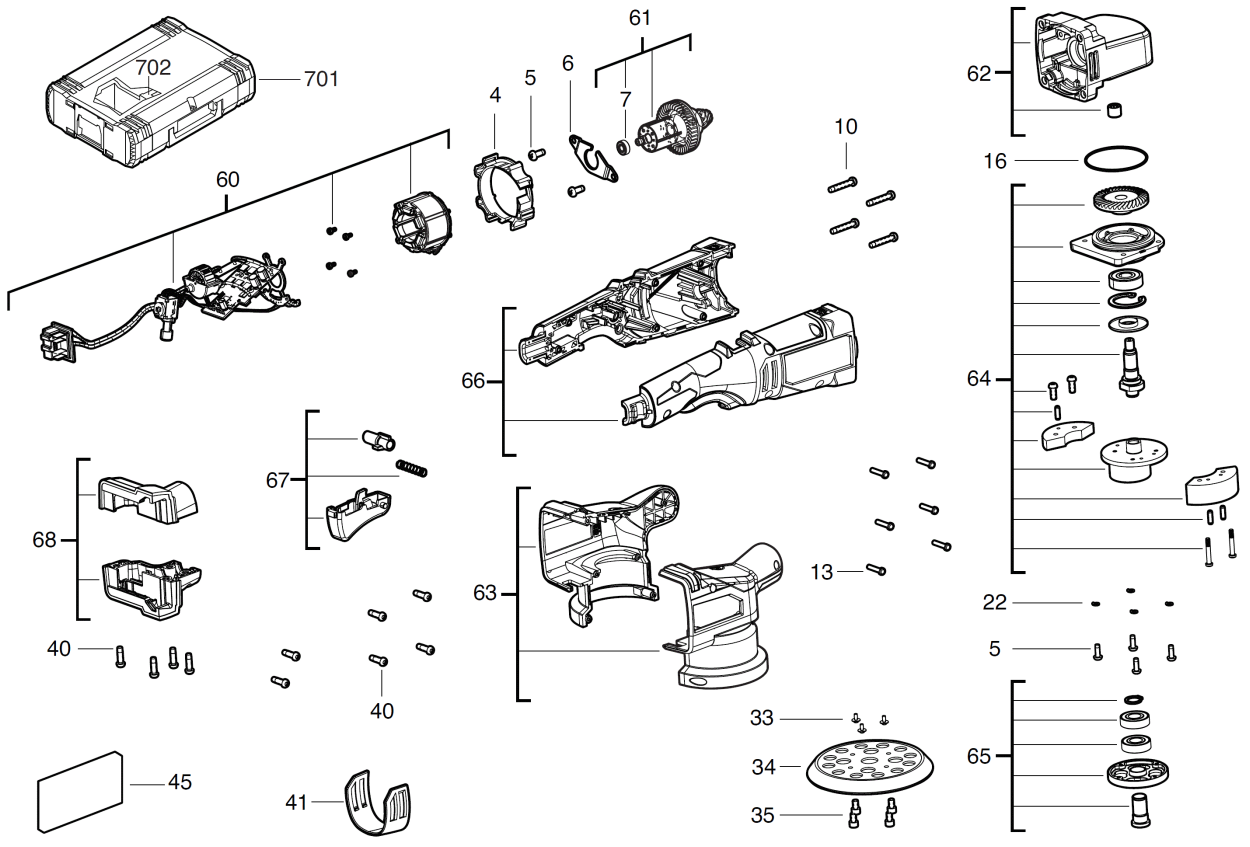


M18FROP15-502X RAND ORBITAL POLISHER IN2

4933478835 - M18FROP15-502X - 4000483877





Position	Quantity	Description	Part number	EAN
0004 1	1	AIR DEFLECTOR RING	4931479942	4058546397050
0005 2	6	SCREW	661113007	4002395824502
0006 3	1	CLAMPING PLATE	4931479943	4058546397067
0007 4	1	BALL BEARING	4931479944	4058546397074
0010 5	4	SCREW	4931435023	4002395857302
0013 6	6	SCREW	4931436757	4002395809844
0016 7	1	O-RING	4931479945	4058546397081
0022 8	4	PROTECTION WASHER	680866003	4002395823895
0033 9	3	SCREW	4931479946	4058546397098
0035 10	4	SCREW	4931479947	4058546397104
0040 11	10	SCREW	4931479948	4058546397111
0041 12	1	DUST GUARD CAP	4931479949	4058546397128
0045 13	1	RATING PLATE	4931479950	4058546397135
0060 14	1	ELECTRONIC	4931479951	4058546397142
0061 15	1	ROTOR	4931479952	4058546397159
0062 16	1	GEAR BOX HOUSING	4931479953	4058546397166
0063 17	1	HOUSING	4931479954	4058546397173
0064 18	1	GEAR BOX KIT	4931479955	4058546397180
0065 19	1	DRIVE SHAFT	4931479956	4058546397197
0066 20	1	HOUSING	4931479957	4058546397203
0067 21	1	TRIGGER	4931479958	4058546397210
0068 22	1	HOUSING	4931479959	4058546397227
0702 23	1	INSERT	4931479960	4058546397234
0034 24	1	M18FROP BP125 Polisher Back. Pad 125mm	4932479964	4058546377588
0701 25	1	HD Box 3 - 1pc	4932453386	4002395143634