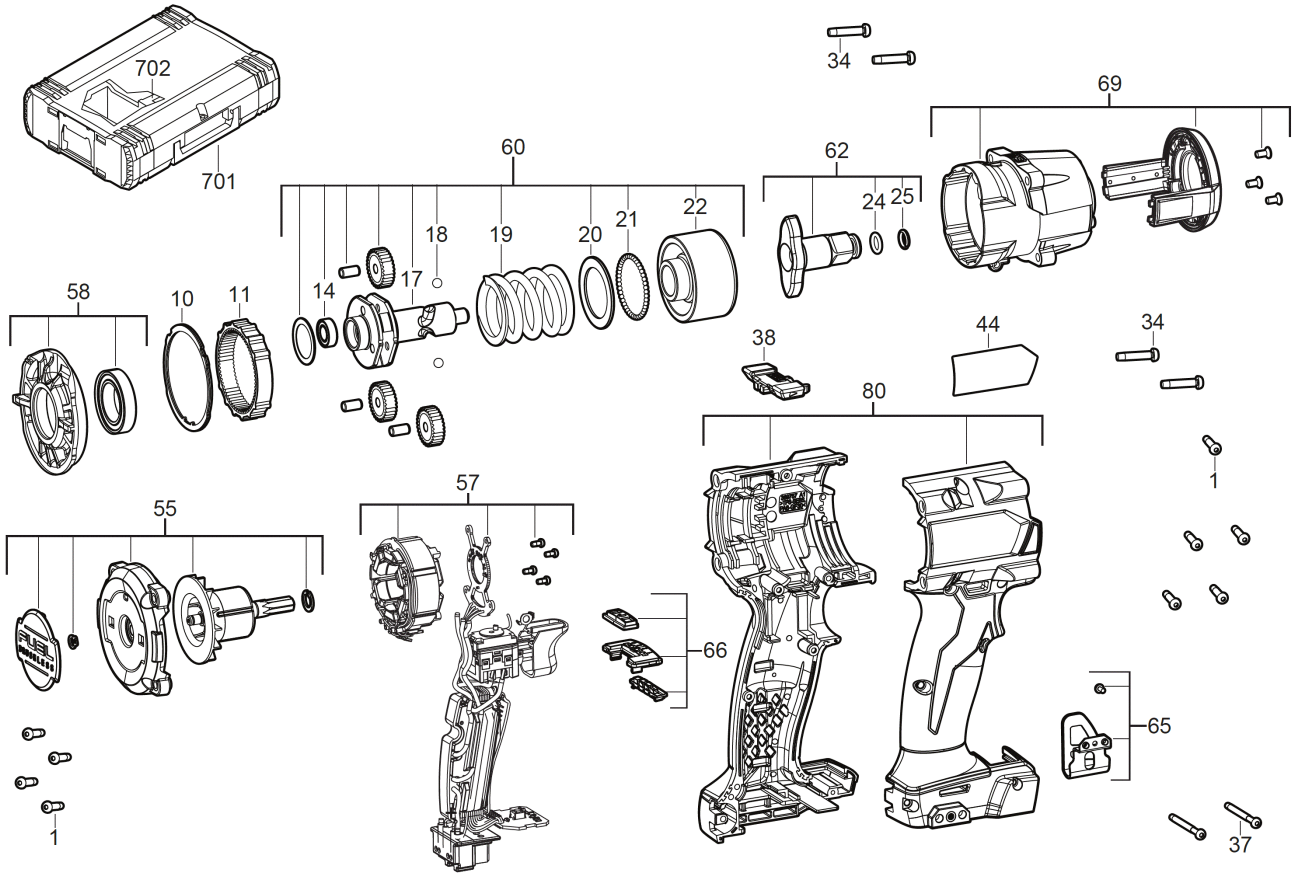


# M18FMTIW2F38-0X IMPACT WRENCH 3/8 XXX

4933479153 - M18FMTIW2F38-0X - 4000483603





Position	Quantity	Description	Part number	EAN
0001 1	9	SCREW	4931454853	4058546020279
0010 2	1	GASKET	4931473576	4058546354527
0011 3	1	INTERN.GEARED WHEEL	4931473577	4058546354534
0014 4	1	BEARING	4931473578	4058546354541
0017 5	1	CAM SHAFT	4931479558	4058546388737
0018 6	2	BALL	680595003	4002395823888
0019 7	1	SPRING	4931479559	4058546388744
0020 8	1	WASHER	4931473581	4058546354572
0021 9	45	BALL	4931465813	4058546239138
0022 10	1	HAMMER	4931479560	4058546393236
0024 11	1	O-RING	4931435755	4002395866120
0025 12	1	RING	4931435756	4002395866137
0034 13	4	SCREW	4931454838	4058546020125
0037 14	2	SCREW	4931454852	4058546020262
0038 15	1	SLIDER	4931473583	4058546354596
0044 16	1	RATING PLATE	4931479561	4058546393243
0055 17	1	ROTOR	4931473585	4058546354619
0057 18	1	ELECTRONIC	4931479562	4058546393250
0058 19	1	CAP	4931473587	4058546354633
0060 20	1	GEAR BOX KIT	4931479563	4058546393267
0062 21	1	ANVIL	4931479564	4058546393274
0065 22	1	BELT CLIP	4931465831	4058546239312
0066 23	1	SPEED CONTROL	4931473553	4058546354299
0069 24	1	GEAR BOX HOUSING	4931479565	4058546393281
0080 25	1	HOUSING	4931473591	4058546354671
0702 26	1	INSERT	4931473592	4058546354688