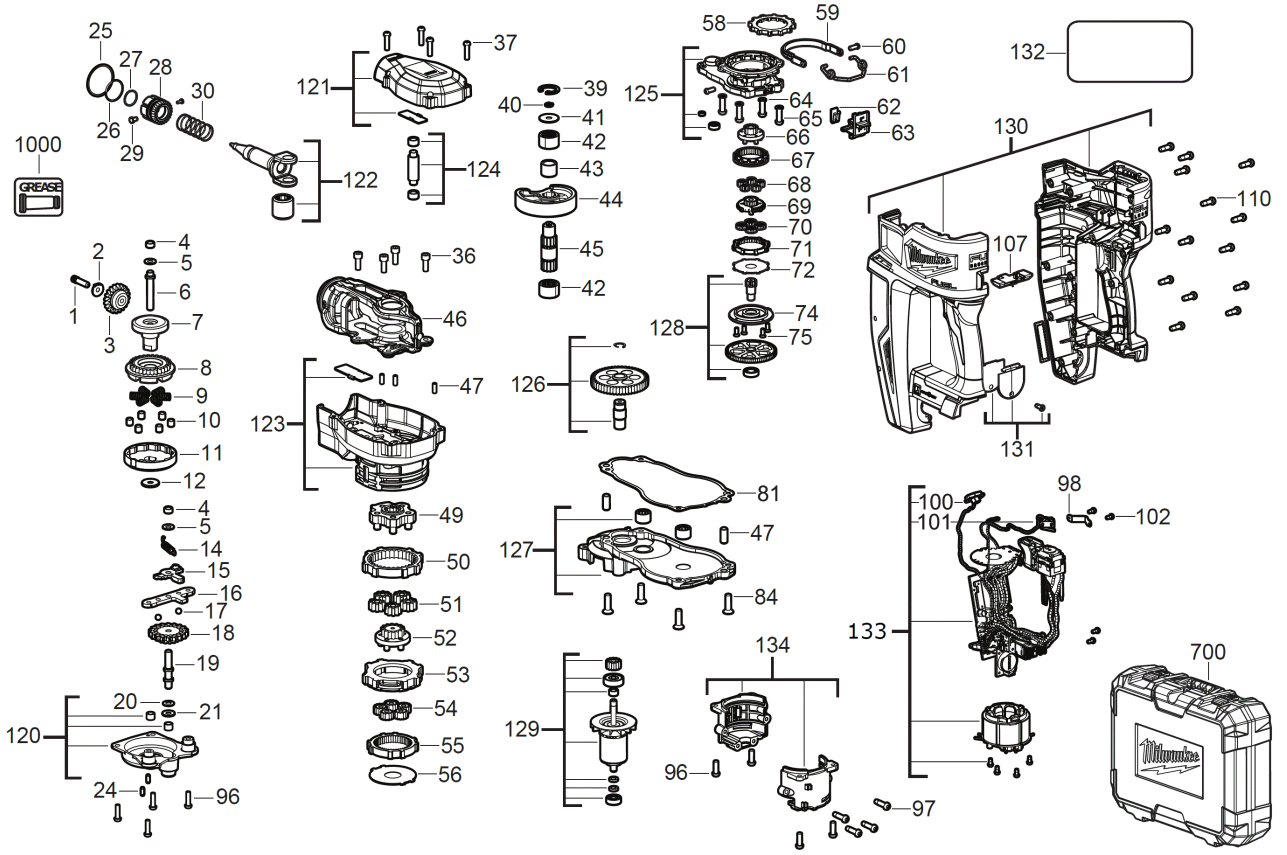


# M18FPXP-H10502C FUEL PIPE EXPANDER IN2

4933479437 - M18FPXP-H10502C - 4000481205





Position	Quantity	Description	Part number	EAN
0001 1	1	SHAFT	4931480304	4058546423193
0002 2	1	WASHER	4931480305	4058546423209
0003 3	1	BEVEL GEAR	4931480306	4058546423216
0004 4	2	BUSHING	4931480307	4058546423223
0005 5	2	WASHER	4931480308	4058546423230
0006 6	1	SHAFT	4931480309	4058546423247
0007 7	1	PINION	4931480310	4058546423254
0008 8	1	CLUTCH WHEEL	4931480311	4058546423261
0009 9	6	SPRING	4931480312	4058546423278
0010 10	6	ROLLER	4931480313	4058546423285
0011 11	1	CLUTCH COVER	4931480314	4058546423292
0012 12	1	WASHER	4931480315	4058546423308
0014 13	1	SPRING	4931480316	4058546423315
0015 14	1	ACTUATOR	4931480317	4058546423322
0016 15	1	FRAME	4931480318	4058546423339
0017 16	2	BALL	4931453236	4002395153299
0018 17	1	GEAR	4931480319	4058546423346
0019 18	1	SHAFT	4931480320	4058546423353
0020 19	1	SPRING	4931480321	4058546423360
0021 20	1	WASHER	4931480322	4058546423377
0024 21	2	PIN	4931480323	4058546423384
0025 22	1	RUBBER	4931480324	4058546423391
0026 23	1	O-RING	4931480325	4058546423407
0027 24	1	O-RING	4931480326	4058546423414
0028 25	1	COLLAR	4931480327	4058546423421
0029 26	2	PIN	4931480328	4058546423438
0030 27	1	SPRING	4931480329	4058546423445
0036 28	4	SCREW	4931506152	4058546554668
0037 29	4	SCREW	4931480330	4058546423452
0039 30	1	RETAINING RING	4931480331	4058546423469
0040 31	1	RETAINING RING	4931480332	4058546423476
0041 32	1	WASHER	4931480333	4058546423483
0042 33	2	BEARING	4931480334	4058546423490
0043 34	1	SLEEVE	4931480335	4058546423506
0044 35	1	CAM	4931480336	4058546423513
0045 36	1	SHAFT	4931480337	4058546423520
0046 37	1	HOUSING	4931480338	4058546423537
0047 38	5	PIN	4931480339	4058546423544
0049 39	1	GEAR CARRIER	4931480340	4058546423551
0050 40	1	GEAR	4931480341	4058546423568
0051 41	5	GEAR	4931480342	4058546423575
0052 42	1	GEAR	4931480343	4058546423582
0053 43	1	SPACER	4931480344	4058546423599
0054 44	5	GEAR	4931480345	4058546423605
0055 45	1	GEAR	4931480346	4058546423612
0056 46	1	WASHER	4931480347	4058546423629
0058 47	1	LOCKING RING	4931480348	4058546423636
0059 48	1	HOLDER	4931480349	4058546423643
0060 49	2	SCREW	4931465883	4058546239831
0061 50	1	SPRING	4931480350	4058546423650

Position	Quantity	Description	Part number	EAN
0062 51	1	SPRING PLATE	4931465990	4058546272074
0063 52	1	SLIDER	4931480351	4058546423667
0064 53	4	WASHER	4931479644	4058546394073
0065 54	4	SCREW	4931466683	4058546279004
0066 55	1	GEAR	4931480352	4058546423674
0067 56	1	GEAR	4931480353	4058546423681
0068 57	5	GEAR	4931480354	4058546423698
0069 58	1	GEAR	4931480355	4058546423704
0070 59	4	GEAR	4931480356	4058546423711
0071 60	1	GEAR	4931480357	4058546423728
0072 61	1	WASHER	4931480358	4058546423735
0074 62	1	SPACER	4931480359	4058546423742
0075 63	4	SCREW	4931435259	4002395897469
0081 64	1	GASKET	4931480360	4058546423759
0084 65	4	SCREW	4931480361	4058546423766
0096 66	8	SCREW	4931472725	4058546330279
0097 67	4	SCREW	4931461357	4058546035297
0098 68	1	CLAMP	4931480362	4058546423773
0100 69	1	LED LIGHT	4931480363	4058546423780
0101 70	1	SWITCH	4931480364	4058546423797
0102 71	4	SCREW	4931457928	4058546420574
0107 72	1	INTERLOCK ELEMENT	4931480365	4058546423803
0110 73	14	SCREW	4931436335	4002395248742
0120 74	1	COVER	4931480366	4058546423810
0121 75	1	COVER ASSY	4931480367	4058546423827
0122 76	1	SPINDLE KIT	4931480368	4058546423834
0123 77	1	GEAR BOX HOUSING	4931480369	4058546423841
0124 78	1	PIN	4931480370	4058546423858
0125 79	1	GEAR CASE	4931480371	4058546423865
0126 80	1	SHAFT	4931480372	4058546423872
0127 81	1	BEARING KIT	4931480373	4058546423889
0128 82	1	GEAR KIT	4931480374	4058546423896
0129 83	1	ROTOR	4931480375	4058546423902
0130 84	1	HOUSING	4931480376	4058546423919
0131 85	1	CAP	4931480377	4058546423926
0132 86	1	RATING PLATE	4931480378	4058546423933
0133 87	1	ELECTRONIC	4931480379	4058546423940
0134 88	1	MOTOR HOUSING	4931480380	4058546423957
0700 89	1	CARRYING CASE	4931480381	4058546423964
1000 90	1	GREASE EXPAND. H P1M	Item discontinued(4932352726)	