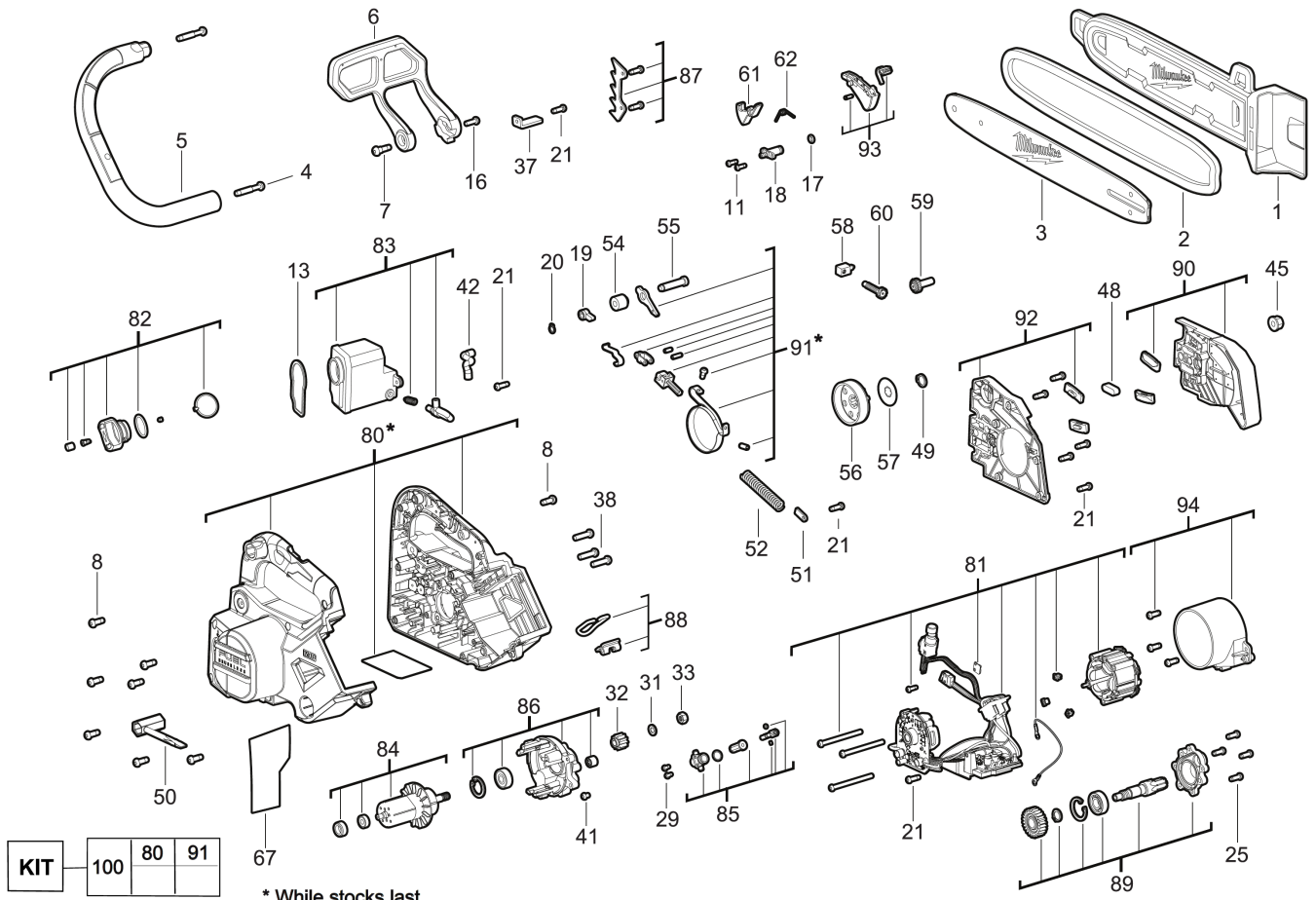


M18FTHCHS30-0 HANDLE CHAIN SAW 30CM XXX

4933479586 - M18FTHCHS30-0 - 4000491440





Position	Quantity	Description	Part number	EAN
0001 1	1	SAFTY GUARD	4931494738	4058546473105
0002 2	1	Saw Chain Top Handle 325LP X 305 X 1.1	4932480177	4058546404628
0003 3	1	GUIDE BAR 12IN/30CM M18 FTHCHS30	4932480171	4058546404567
0004 4	2	SCREW	4931453127	4002395153411
0005 5	1	HANDLE	4931494739	4058546473112
0006 6	1	OPERATING HANDLE	4931494740	4058546473129
0007 7	1	SCREW	4931465908	4058546240080
0008 8	8	SCREW	4931465909	4058546240097
0011 9	2	SCREW	4931436686	4002395258260
0013 10	1	GASKET	4931494741	4058546473136
0017 11	1	O-RING	4931465914	4058546240141
0018 12	1	CONNECTOR	4931465915	4058546240158
0019 13	1	SWITCH	4931465916	4058546240165
0020 14	1	HOLDING RING	4931465917	4058546240172
0021 15	8	SCREW	660024030	4002395826957
0025 16	4	SCREW	4931435150	4002395859948
0029 17	2	SCREW	4931435474	4002395891634
0031 18	1	WASHER	4931494742	4058546473143
0032 19	1	PINION	4931494743	4058546473150
0033 20	1	NUT	4931494744	4058546473167
0037 21	1	CORE LIFTER RING	4931465928	4058546240288
0038 22	3	SCREW	4931465929	4058546240295
0041 23	1	SCREW	4931494745	4058546473174
0042 24	1	TUBE	4931494746	4058546473181
0045 25	1	NUT	4931465951	4058546240516
0048 26	1	PAD	4931494747	4058546473198
0049 27	1	SNAP RING	4931472833	4058546331351
0050 28	1	WRENCH	4931465931	4058546240318
0051 29	1	RETAINING PLATE	4931465940	4058546240400
0052 30	1	SPRING	4931465941	4058546240417
0054 31	1	BUSH	4931465943	4058546240431
0055 32	1	BOLT	4931465944	4058546240448
0056 33	1	CLUTCH DISC	4931494748	4058546473204
0057 34	1	WASHER	4931494749	4058546473211
0058 35	1	CROSS BRACKET	4931494750	4058546473228
0059 36	1	SCREW	4931465949	4058546240493
0060 37	1	CROSS BRACKET	4931494751	4058546473235
0061 38	1	LEVER	4931494752	4058546473242
0062 39	1	SPRING	4931494753	4058546473259
0067 40	1	RATING PLATE	4931494754	4058546473266
0080 41	1	HOUSING	4931494755	4058546473273
0081 42	1	STATOR	4931507240	4058546597511
0082 43	1	COVER CAP	4931473747	4058546356231
0083 44	1	TANK	4931494757	4058546473297
0084 45	1	ROTOR	4931494758	4058546473303
0085 46	1	OIL PUMP	4931494759	4058546473310
0086 47	1	GEAR CASE	4931494760	4058546473327
0087 48	1	SPIKE	4931494761	4058546473334
0088 49	1	HOOK	4931494762	4058546473341
0089 50	1	COVER ASSY	4931494763	4058546473358

Position	Quantity	Description	Part number	EAN
0090 51	1	GUIDE KIT	4931494764	4058546473365
0091 52	1	BRAKE DISC	4931494765	4058546473372
0092 53	1	COVER	4931494766	4058546473389
0093 54	1	GUARD CAP SET	4931494767	4058546473396
0094 55	1	MOTOR COVER	4931494768	4058546473402
0100 56	1	HANDLE SET	4931507686	4058546601973