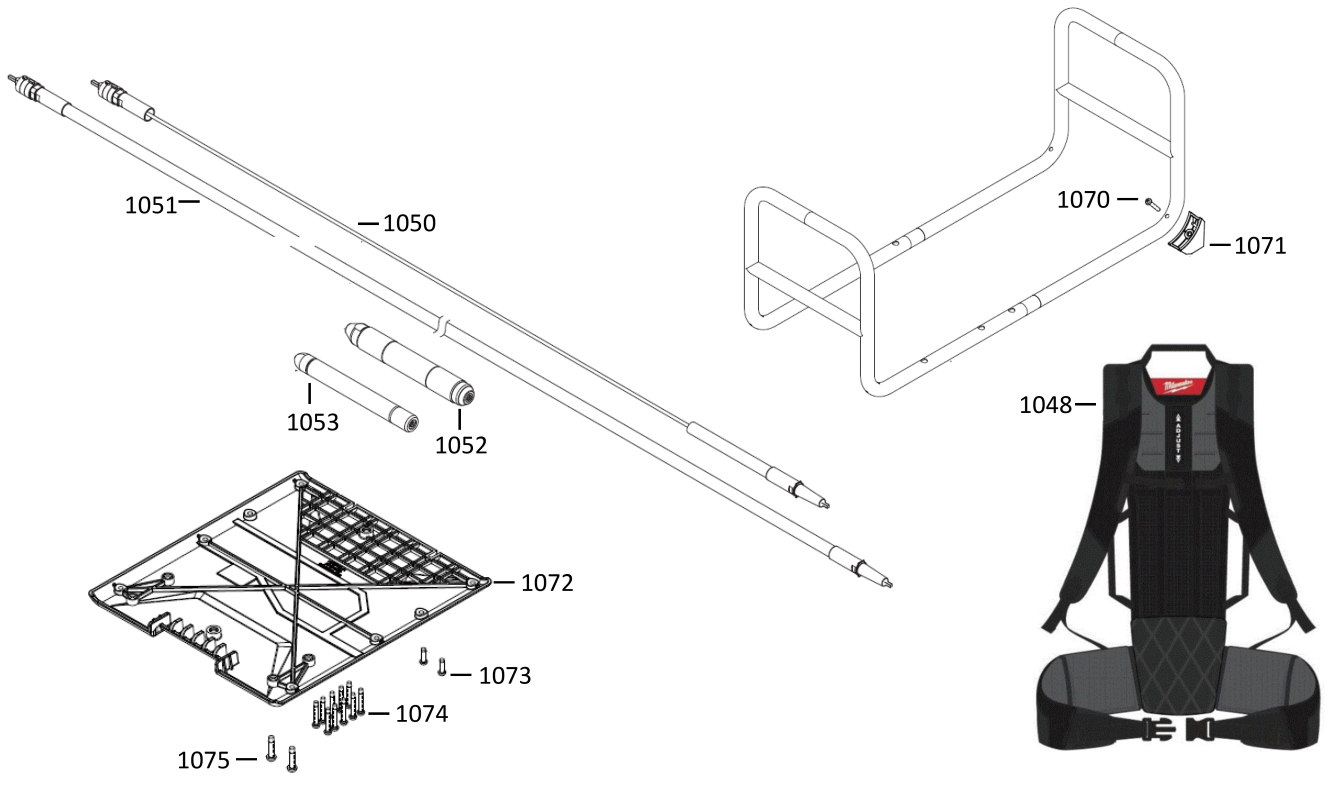
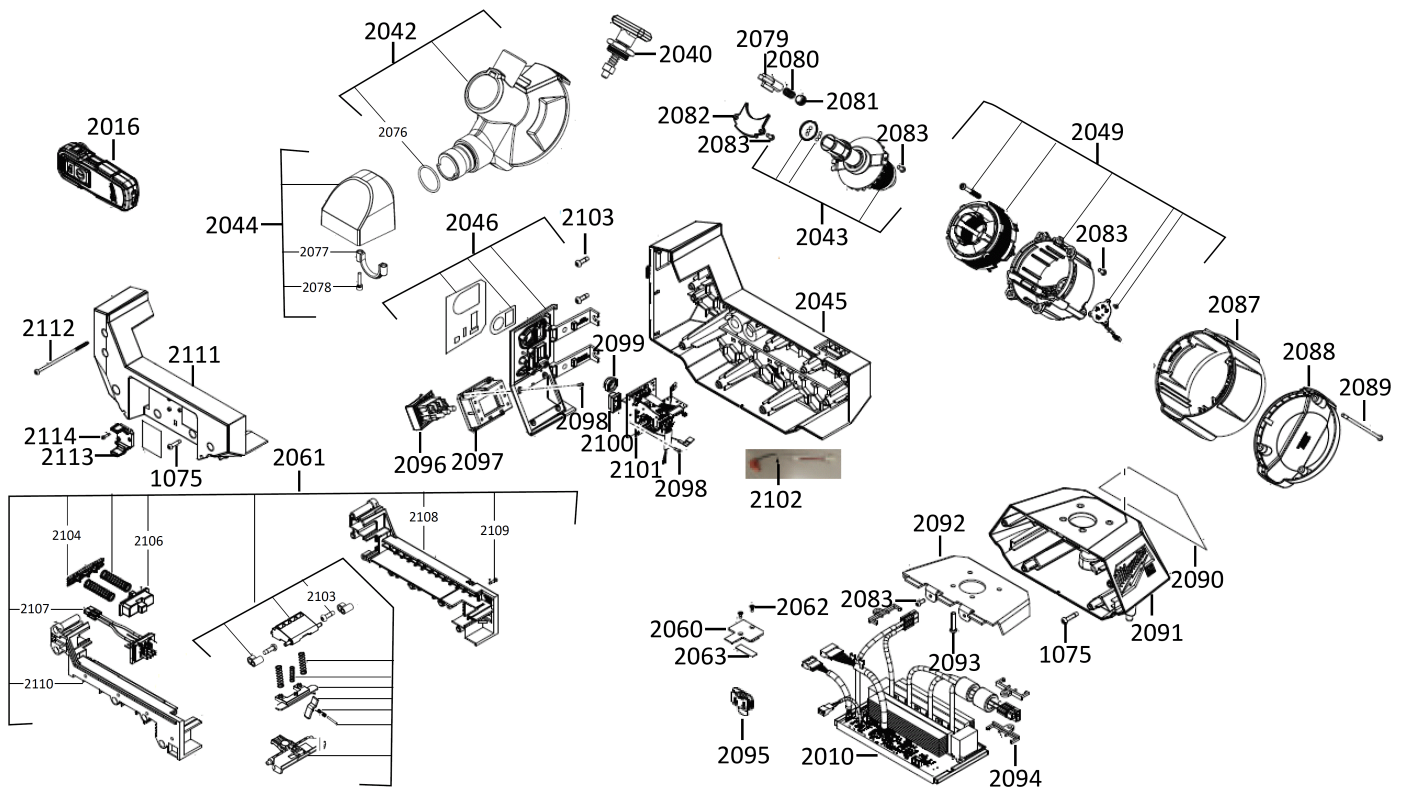


MXFCVBP-0 BACKPACK CONCRETE VIBRATOR XXX

4933479595 - MXFCVBP-0 - 4000483888







Position	Quantity	Description	Part number	EAN
1048 1	1	STRAP	4931480619	4058546426347
1070 2	4	SCREW	4931480569	4058546425845
1071 3	4	FOOT	4931480570	4058546425852
1072 4	1	HOLDING PLATE	4931480571	4058546425869
1073 5	2	SCREW	4931480572	4058546425876
1074 6	10	SCREW	4931480573	4058546425883
1075 7	9	SCREW	4931480574	4058546425890
2010 8	1	ELECTRONIC	4931480575	4058546425906
2016 9	1	REMOTE TSC CONTROL	4931480576	4058546425913
2040 10	1	LOCK COMPLETE	4931480577	4058546425920
2042 11	1	HEAD	4931480578	4058546425937
2043 12	1	ROTOR	4931480579	4058546425944
2044 13	1	CONNECTOR	4931480580	4058546425951
2045 14	1	HOUSING	4931480581	4058546425968
2046 15	1	CONTROL PANEL KIT	4931480582	4058546425975
2049 16	1	STATOR	4931480583	4058546425982
2060 17	1	COVER	4931480584	4058546425999
2061 18	1	GUIDE RAIL	4931480585	4058546426002
2062 19	2	SCREW	4931480586	4058546426019
2063 20	1	SEAL	4931480587	4058546426026
2076 21	1	O-RING	4931480588	4058546426033
2077 22	1	COLLAR	4931480589	4058546426040
2078 23	2	SCREW	4931480590	4058546426057
2079 24	1	RELEASE LEVER	4931480591	4058546426064
2080 25	1	FITTING	4931480592	4058546426071
2081 26	1	SCREW	4931480593	4058546426088
2082 27	1	COVER	4931480594	4058546426095
2083 28	10	SCREW	4931480595	4058546426101
2087 29	1	CAP	4931480596	4058546426118
2088 30	1	MOTOR HOUSING	4931480597	4058546426125
2089 31	3	SCREW	4931480598	4058546426132
2090 32	1	RATING PLATE	4931480599	4058546426149
2091 33	1	COVER	4931480600	4058546426156
2092 34	1	END PLATE	4931480601	4058546426163
2093 35	4	SCREW	4931480602	4058546426170
2094 36	3	CLAMP CLIP	4931480035	4058546397982
2095 37	1	ELECTRONIC	4931480603	4058546426187
2096 38	1	ROCKER SWITCH	4931480604	4058546426194
2097 39	1	FRAME	4931480605	4058546426200
2098 40	10	SCREW	4931480606	4058546426217
2099 41	1	BUTTON	4931480607	4058546426224
2100 42	1	BUTTON	4931480608	4058546426231
2101 43	1	ELECTRONIC	4931480609	4058546426248
2102 44	1	SWITCH KIT	4931480610	4058546426255
2103 45	4	SCREW	4931480042	4058546398057
2104 46	1	HOLDER	4931480611	4058546426262
2106 47	1	EJECTOR	4931480612	4058546426279
2107 48	1	CONNECTOR	4931480613	4058546426286
2108 49	1	GUIDE RAIL	4931480614	4058546426293
2109 50	3	SCREW	4931480615	4058546426309

Position	Quantity	Description	Part number	EAN
2110 51	1	GUIDE RAIL	4931480616	4058546426316
2111 52	1	COVER	4931480617	4058546426323
2112 53	5	SCREW	4931480041	4058546398040
2113 54	1	BRACKET	4931480618	4058546426330
2114 55	3	SCREW	4931480111	4058546421267
1050 56	1	MXFCVS-2 m Concrete Vibrator Whip	4932478611	4058546348045
1051 57	1	MXFCVS-4 m Concrete Vibrator Whip	4932478610	4058546348038
1052 58	1	MXFCVH-50 MM MXF CONCRETE VIBRATOR HEAD	4932478613	4058546348069
1053 59	1	MXFCVH-38 MM MXF CONCRETE VIBRATOR HEAD	4932478612	4058546348052