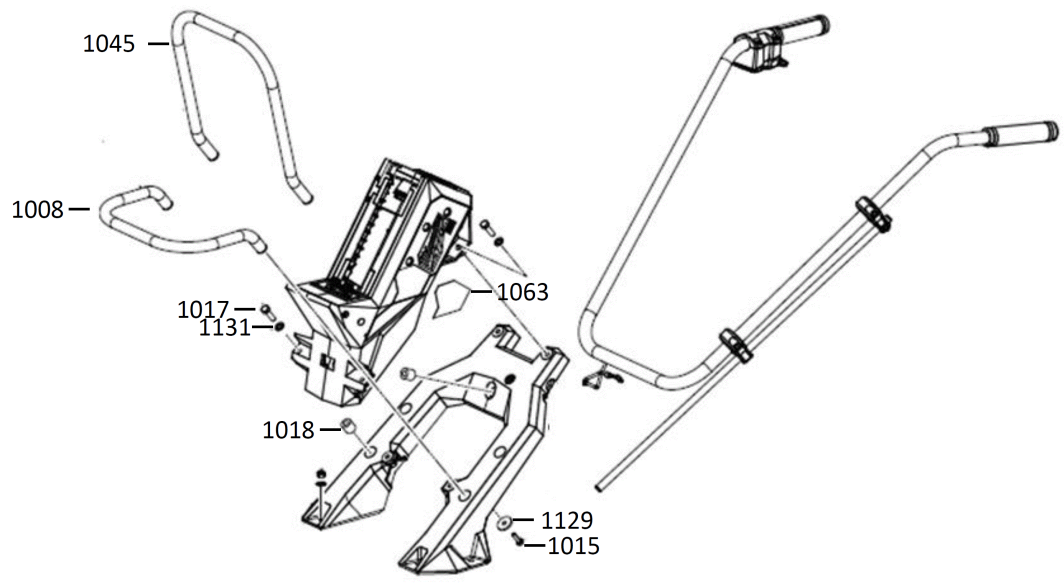
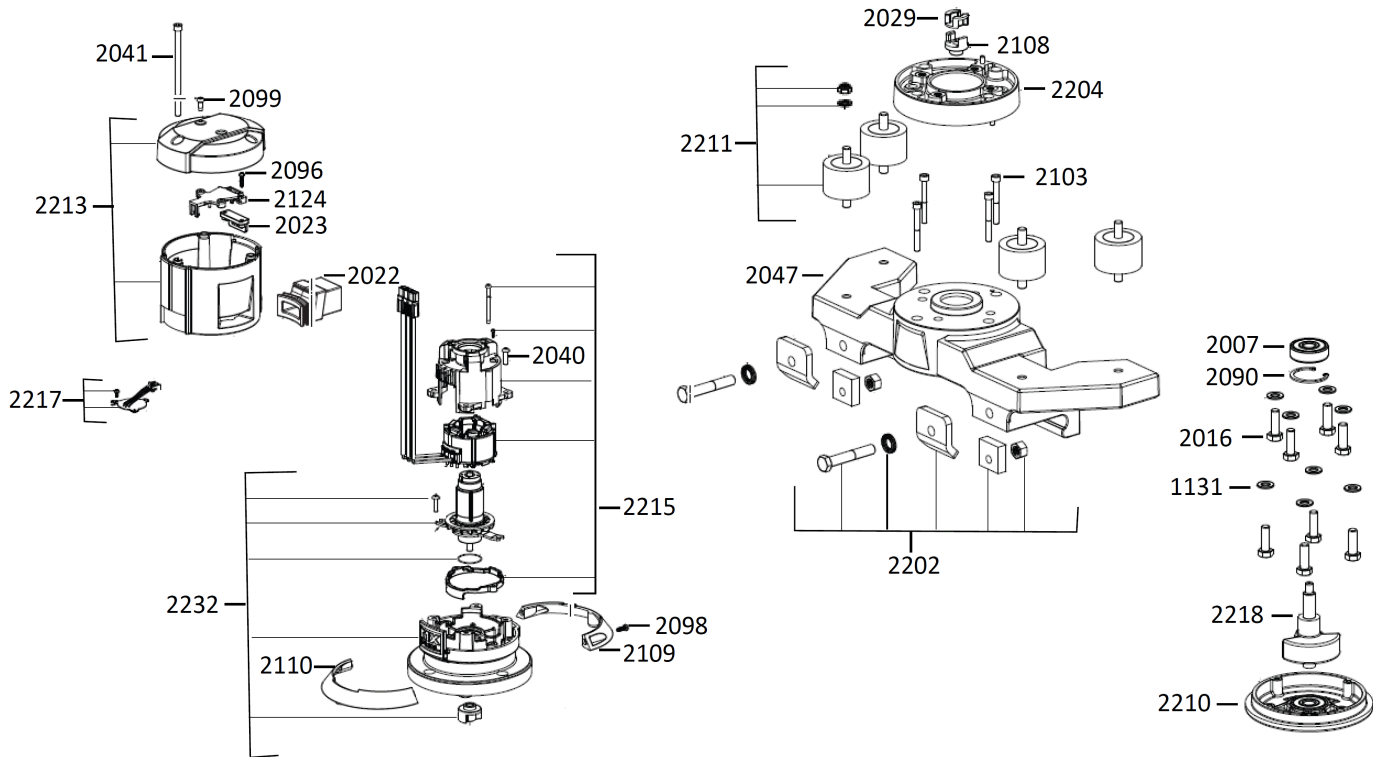


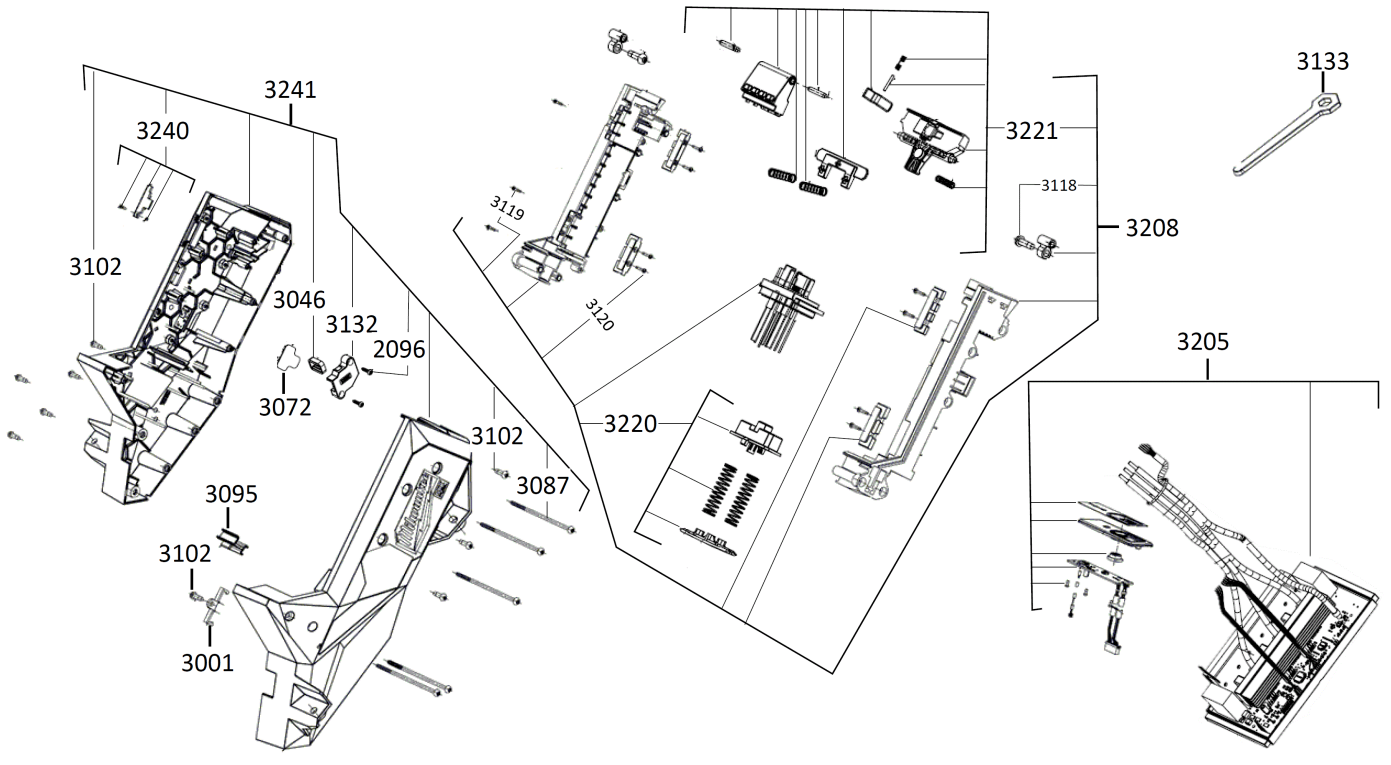
MXFPSC-0 MXF SCREED XXX

4933479771 - MXFPSC-0 - 4000491140

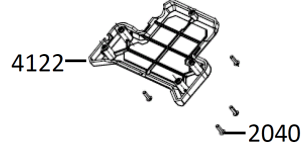
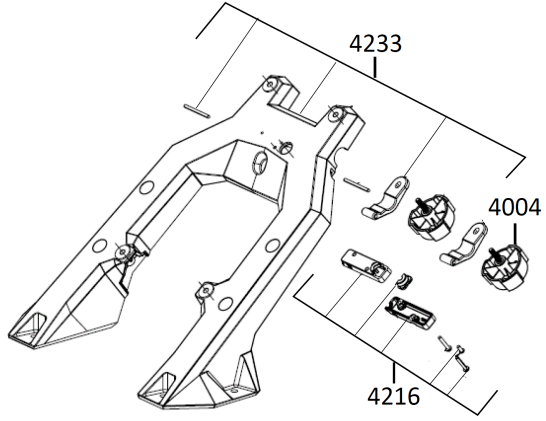
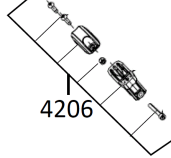
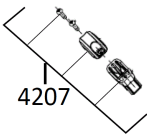
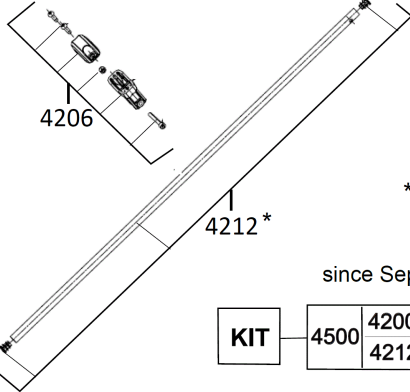
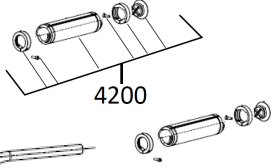








- 3102 — [part]
- 4024 — [part]
- 4036 — [part]
- 4125 — [part]
- 4055 — [part]
- 4094 — [part]
- 4031 — [part]
- 4097 — [part]



* While stock lasts

since Sep.2024

KIT	4500	4200	4201
		4212	

Position	Quantity	Description	Part number	EAN
1008 1	1	FRAME	4931494484	4058546470562
1015 2	4	SCREW	4931494485	4058546470579
1017 3	4	SCREW	4931494486	4058546470586
1018 4	5	COVER	4931494487	4058546470593
1045 5	1	HANDLE LEFT	4931494488	4058546470609
1063 6	1	RATING PLATE	4931494489	4058546470616
1129 7	4	WASHER	4931494490	4058546470623
1131 8	16	WASHER	4931494491	4058546470630
2007 9	1	BALL BEARING	4931494492	4058546470647
2016 10	8	SCREW	4931494493	4058546470654
2022 11	1	COVER	4931494494	4058546470661
2023 12	1	HOLDER	4931494495	4058546470678
2029 13	1	COUPLING	4931494496	4058546470685
2040 14	11	SCREW	4931494497	4058546470692
2041 15	3	SCREW	4931494498	4058546470708
2047 16	1	HOUSING	4931494499	4058546470715
2090 17	1	RETAINING RING	4931494500	4058546470722
2096 18	4	SCREW	4931494501	4058546470739
2098 19	2	SCREW	4931494502	4058546470746
2099 20	2	SCREW	4931494503	4058546470753
2103 21	4	SCREW	4931494504	4058546470760
2108 22	1	COUPLING	4931494505	4058546470777
2109 23	1	MOTOR HOUSING	4931494506	4058546470784
2110 24	1	SUPPORTING PLATE	4931494507	4058546470791
2124 25	1	CONNECTOR	4931494508	4058546470807
2202 26	1	SERVICE KIT	4931494509	4058546470814
2204 27	1	COUPLING	4931494510	4058546470821
2210 28	1	SERVICE-KIT	4931494511	4058546470838
2211 29	1	ISOLATION	4931494512	4058546470845
2213 30	1	MOTOR HOUSING	4931494513	4058546470852
2215 31	1	STATOR	4931494514	4058546470869
2217 32	1	SERVICE KIT	4931494515	4058546470876
2218 33	1	SHAFT	4931494516	4058546470883
2232 34	1	ROTOR	4931494517	4058546470890
3001 35	1	CLAMP CLIP	4931480035	4058546397982
3046 36	1	HOLDER	4931494518	4058546470906
3072 37	1	ELECTRONIC	4931480603	4058546426187
3087 38	5	SCREW	4931480041	4058546398040
3095 39	1	SPACER	4931494519	4058546470913
3102 40	19	SCREW	4931494520	4058546470920
3118 41	2	SCREW	4931480042	4058546398057
3119 42	3	SCREW	4931480615	4058546426309
3120 43	8	SCREW	4931494521	4058546470937
3132 44	1	COVER	4931494522	4058546470944
3133 45	1	WRENCH	4931494523	4058546470951
3205 46	1	SERVICE SET	4931494524	4058546470968
3208 47	1	SERVICE KIT	4931494525	4058546470975
3220 48	1	HOLDER	4931494526	4058546470982
3221 49	1	LATCH	4931494527	4058546470999
3240 50	1	COVER CAP	4931494528	4058546471002

Position	Quantity	Description	Part number	EAN
3241 51	1	HOUSING	4931494529	4058546471019
4004 52	2	CLAMP	4931494530	4058546471026
4024 53	1	CLAMPING PIECE	4931494531	4058546471033
4031 54	1	COVER	4931494532	4058546471040
4036 55	1	COVER	4931494533	4058546471057
4055 56	1	LEVER	4931494534	4058546471064
4094 57	1	RUBBER PLATE	4931494535	4058546471071
4097 58	4	SCREW	4931494536	4058546471088
4122 59	1	COVER	4931494537	4058546471095
4125 60	1	SWITCH	4931494538	4058546471101
4200 61	2	HANDLE SET	Item discontinued(4931494539)	
4201 62	1	HANDLE	Item discontinued(4931494540)	
4206 63	1	SERVICE-KIT	4931494541	4058546471132
4207 64	1	SERVICE KIT	4931494542	4058546471149
4212 65	1	SERVICE SET	4931494543	4058546471156
4216 66	1	HOLDER	4931494544	4058546471163
4233 67	1	SERVICE SET	4931494545	4058546471170
4500 68	1	SERVICE SET	4931511281	4058546651374