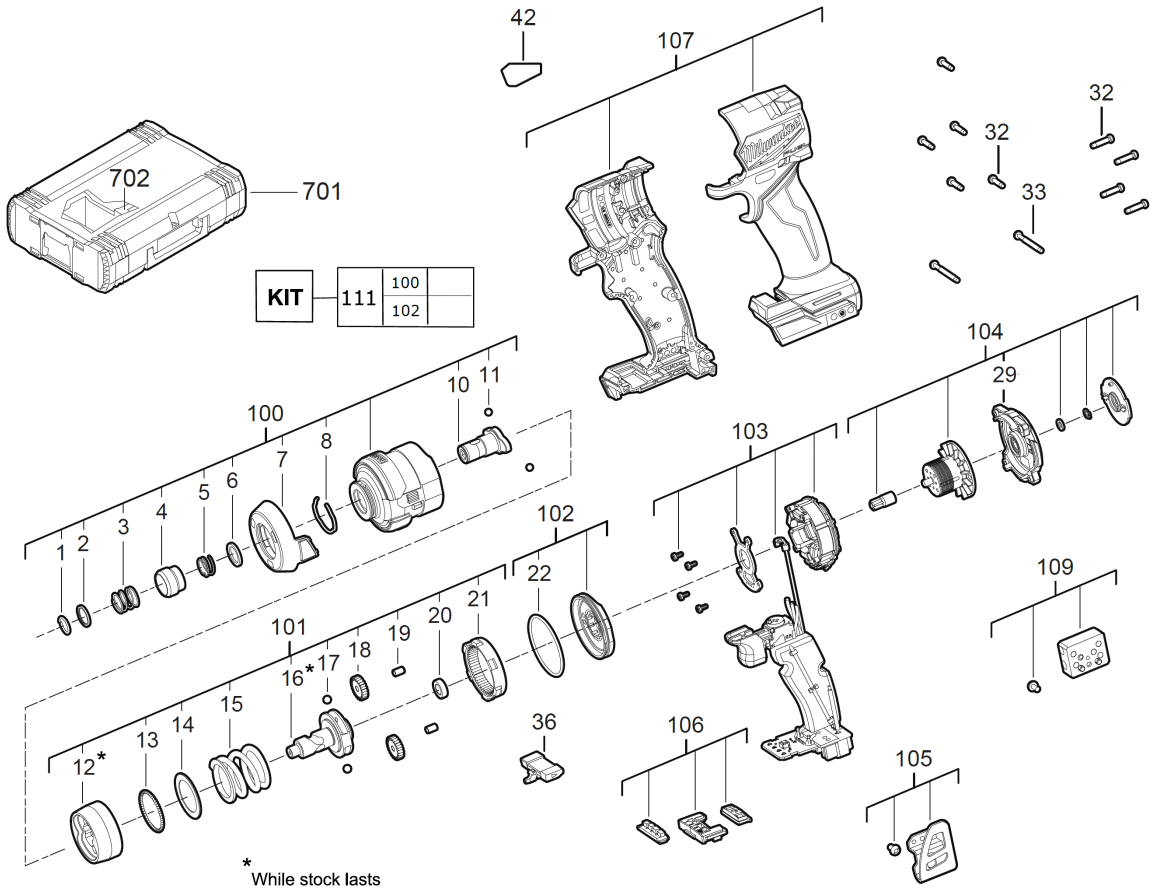


M18FID3-0X IMPACT DRIVER GEN 4 XXX

4933479864 - M18FID3-0X - 4000481284





* While stock lasts

Position	Quantity	Description	Part number	EAN
0001 1	1	RETAINING RING	4931494802	4058546473747
0002 2	1	WASHER	4931472076	4058546282936
0003 3	1	SPRING	4931436084	4002395878567
0004 4	1	SLEEVE	4931453234	4002395153275
0005 5	1	SPRING	4931480465	4058546424800
0006 6	1	WASHER	4931465810	4058546239107
0007 7	1	INDICATOR LIGHT	4931494803	4058546473754
0008 8	1	RETAINING RING	4931494804	4058546473761
0010 9	1	ANVIL	4931494805	4058546473778
0011 10	2	BALL	4931494806	4058546473785
0012 11	1	HAMMER	4931494807	4058546473792
0013 12	50	BALL	4931494808	4058546473808
0014 13	1	WASHER	4931494809	4058546473815
0015 14	1	SPRING	4931465815	4058546239152
0016 15	1	CAM SHAFT	Item discontinued(4931494810)	
0017 16	2	BALL	4931494811	4058546473839
0018 17	2	PLANET GEAR	4931494812	4058546473846
0019 18	2	PIN	4931494813	4058546473853
0020 19	1	BALL BEARING	4931465819	4058546239190
0021 20	1	INTERN.GEARED WHEEL	4931465820	4058546239206
0022 21	1	O-RING	4931465821	4058546239213
0029 22	1	CAP	4931494814	4058546473860
0032 23	9	SCREW	4931465499	4058546235994
0033 24	2	SCREW	4931454852	4058546020262
0036 25	1	SWITCH	4931494815	4058546473877
0042 26	1	RATING PLATE	4931494816	4058546473884
0100 27	1	GEAR CASE	Item discontinued(4931494817)	
0101 28	1	IMPACT BOLT	4931494818	4058546473907
0102 29	1	GUARD CAP	Item discontinued(4931494819)	
0103 30	1	ELECTRONIC	4931494820	4058546473921
0104 31	1	ARMATURE	4931494821	4058546473938
0105 32	1	BELT CLIP	4931465831	4058546239312
0106 33	1	SWITCH	4931494822	4058546473945
0107 34	1	HANDLE SET	4931494823	4058546473952
0109 35	1	BIT HOLDER	4931494824	4058546473969
0111 36	1	GEAR CASE	4931511116	4058546637781
0702 37	1	INSERT	4931494825	4058546473976