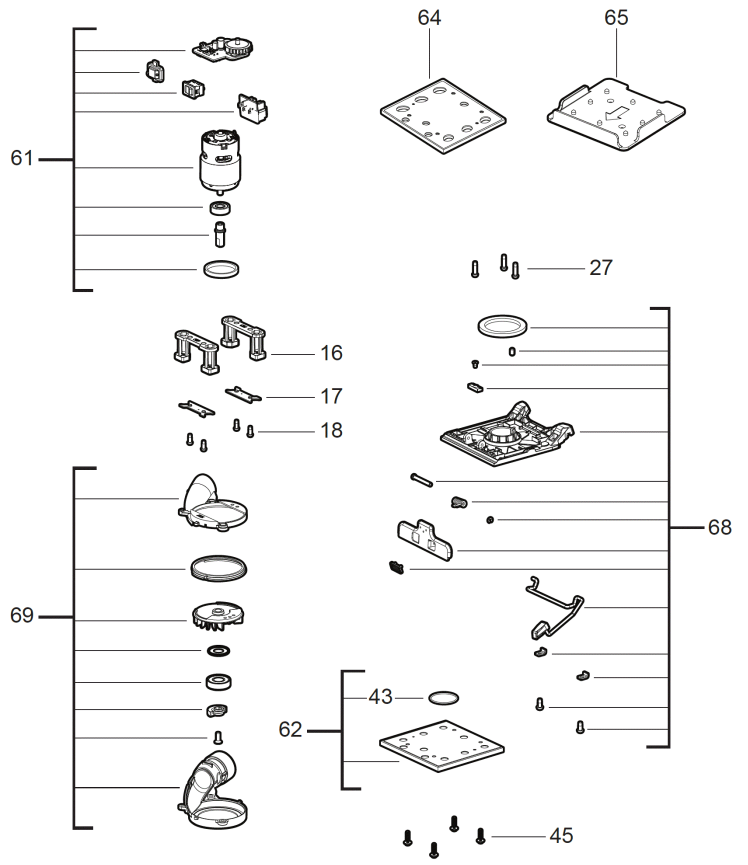
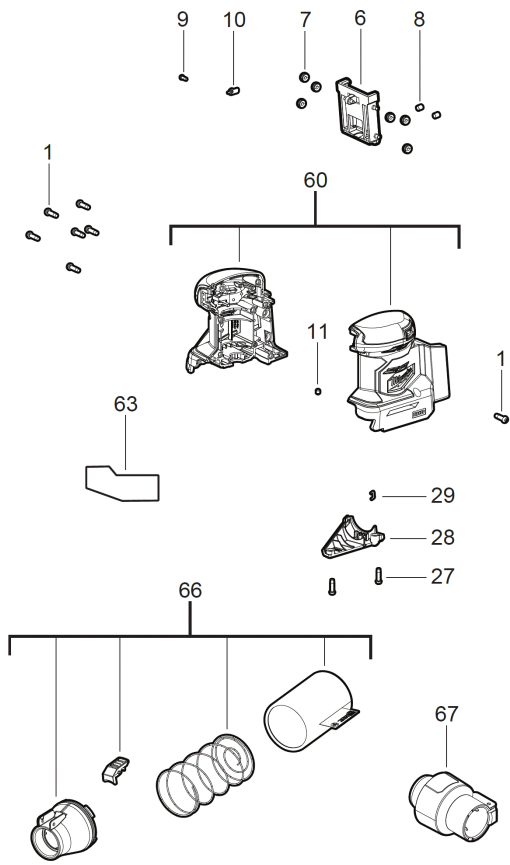


M18BQSS-502B QUARTER SHEET SANDER IN2

4933479967 - M18BQSS-502B - 4000491411





Position	Quantity	Description	Part number	EAN
0001 1	8	SCREW	4931465326	4058546234263
0006 2	1	CONNECTION	4931494192	4058546467647
0007 3	6	INSULATOR	4931494193	4058546467654
0008 4	2	RUBBER STOP	4931453340	4002395163861
0009 5	1	SCREW	4931461353	4058546035259
0010 6	1	HOLDING PLATE	4931494194	4058546467661
0011 7	1	FOAM SLUG	4931494195	4058546467678
0016 8	2	SHOCK ABSORBER	4931494196	4058546467685
0017 9	2	PLATE	4931494197	4058546467692
0018 10	4	SCREW	4931494198	4058546467708
0027 11	5	SCREW	4931454381	4058546008093
0028 12	1	HOUSING	4931494200	4058546467722
0029 13	1	CLIP	4931494201	4058546467739
0043 14	1	O-RING	4931494202	4058546467746
0045 15	4	SCREW	4931494203	4058546467753
0060 16	1	HOUSING	4931494204	4058546467760
0061 17	1	ELECTRONIC	4931494205	4058546467777
0062 18	1	GRINDING DISK	4931494206	4058546467784
0063 19	1	RATING PLATE	4931494207	4058546467791
0064 20	1	VELCRO GRIND. PLATE	4931494208	4058546467807
0065 21	1	HOLE PUNCH	4931494209	4058546467814
0066 22	1	DUST BAG	4931494210	4058546467821
0067 23	1	DUST EXTR.CONNECTOR	4931494211	4058546467838
0068 24	1	BASE PLATE	4931494212	4058546467845
0069 25	1	FAN	4931494213	4058546467852