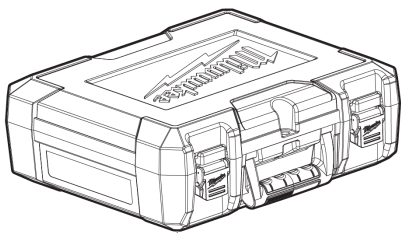
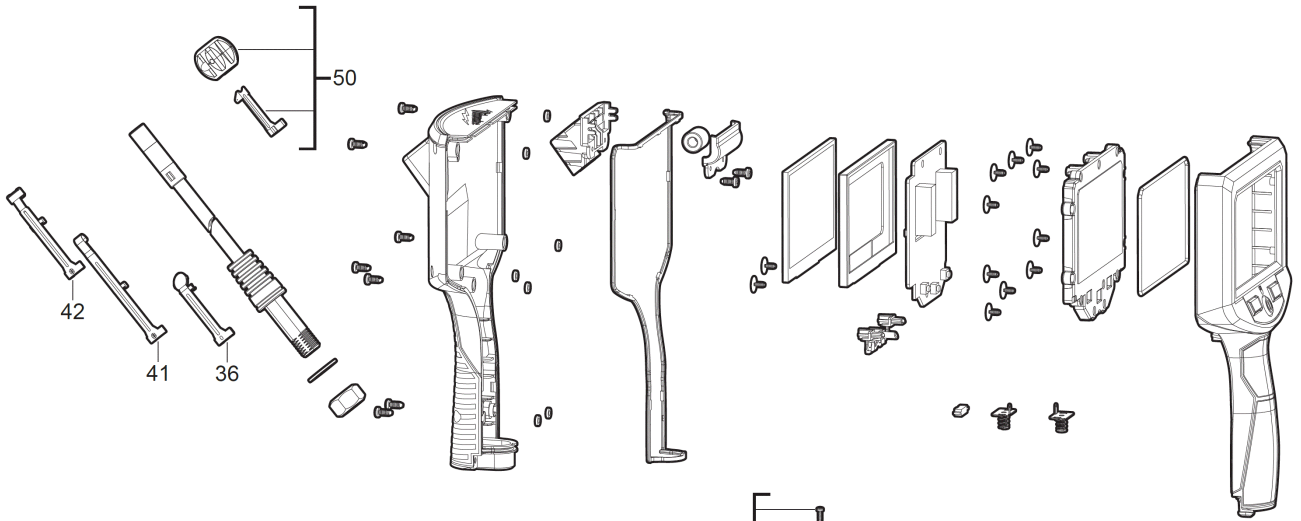


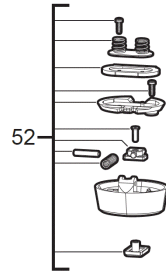
# **AIC2 ALKALINE INSPECTION CAMERA XXX**

**4933480738 - AIC2 - 4000500405**





700



<b>Position</b>	<b>Quantity</b>	<b>Description</b>	<b>Part number</b>	<b>EAN</b>
0036 1	1	CLIP	4931507744	4058546602550
0041 2	1	CLIP	4931507745	4058546602567
0042 3	1	CLIP	4931507746	4058546602574
0050 4	1	CLIP	4931507747	4058546602581
0052 5	1	COVER	4931494952	4058546486204
0700 6	1	CARRYING CASE	4931494953	4058546486211