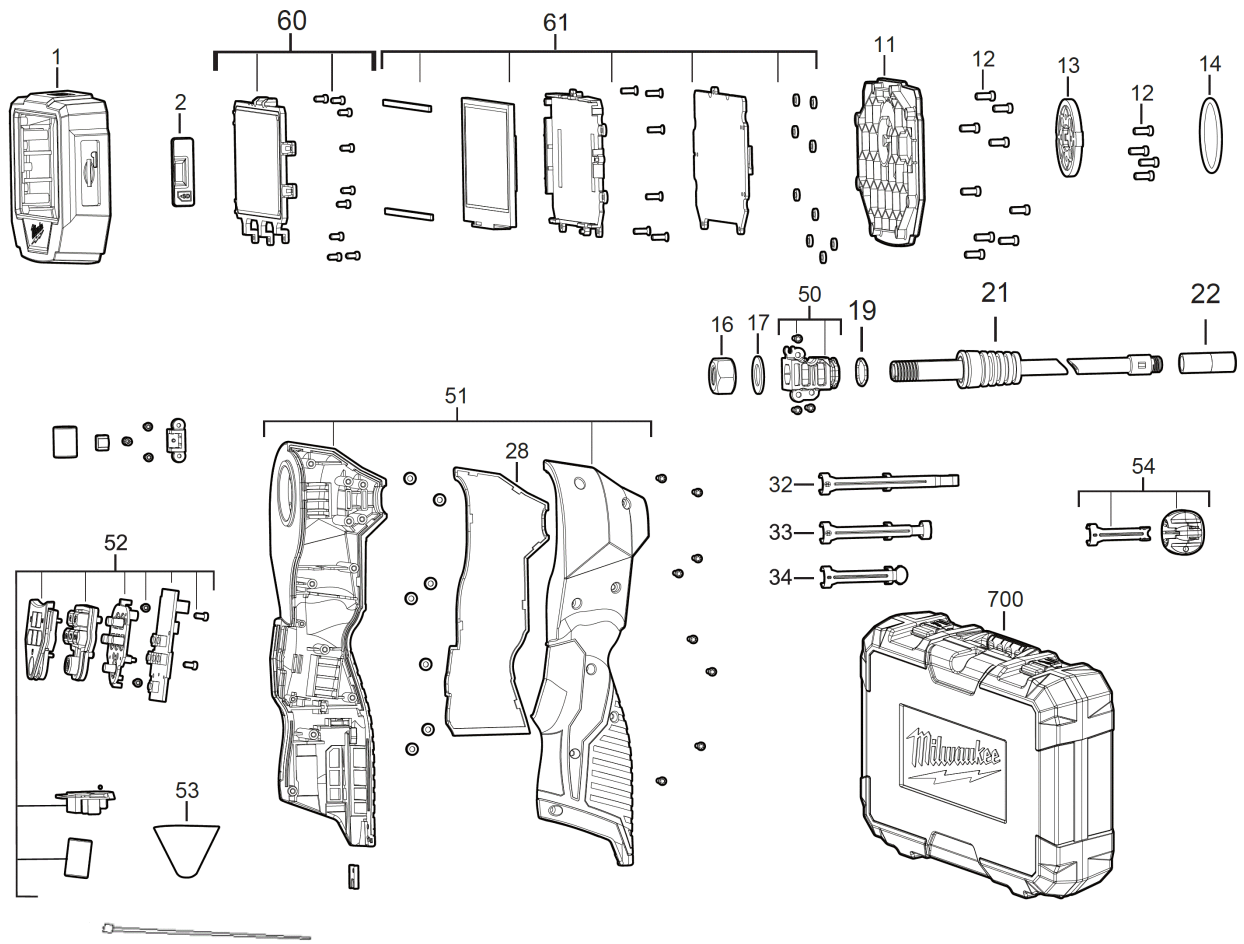


M12360IC12-201C INSPECTION CAMER 1M IN2

4933480740 - M12360IC12-201C - 4000500403



Position	Quantity	Description	Part number	EAN
0001 1	1	HOUSING	4931495165	4058546488338
0002 2	1	PAD	4931495166	4058546488345
0011 3	1	HOUSING	4931495167	4058546488352
0012 4	1	SCREW	4931495168	4058546488369
0013 5	1	STOPPER	4931495169	4058546488376
0014 6	1	O-RING	4931507748	4058546602598
0016 7	1	NUT	4931495171	4058546488390
0017 8	1	WASHER	4931495172	4058546488406
0019 9	1	O-RING	4931511275	4058546651312
0021 10	1	CABLE SET	4931511276	4058546651329
0022 11	1	CAMERA	4931511277	4058546651336
0028 12	1	HOUSING	4931507749	4058546602604
0032 13	1	CLIP	4931507745	4058546602567
0033 14	1	CLIP	4931507746	4058546602574
0034 15	1	CLIP	4931507744	4058546602550
0050 16	1	HOLDER	4931507750	4058546602611
0051 17	1	HOUSING	4931507751	4058546602628
0052 18	1	PUSH BUTTON	4931495176	4058546488444
0053 19	1	RATING PLATE	4931507752	4058546602635
0054 20	1	CLIP	4931507747	4058546602581
0060 21	1	DISPLAY	4931511278	4058546651343
0061 22	1	ELECTRONIC	4931511279	4058546651350
0700 23	1	CARRYING CASE	4931495178	4058546488468