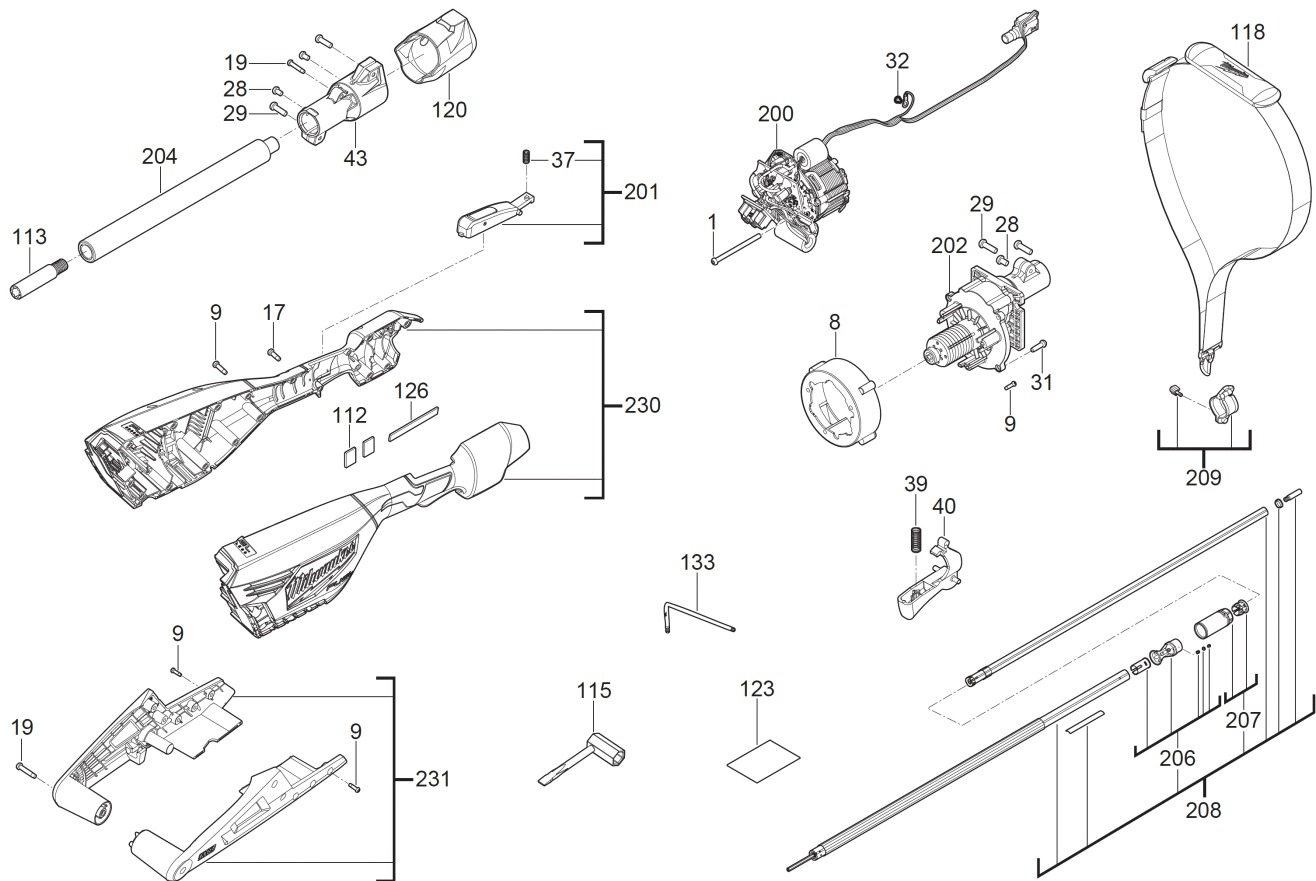
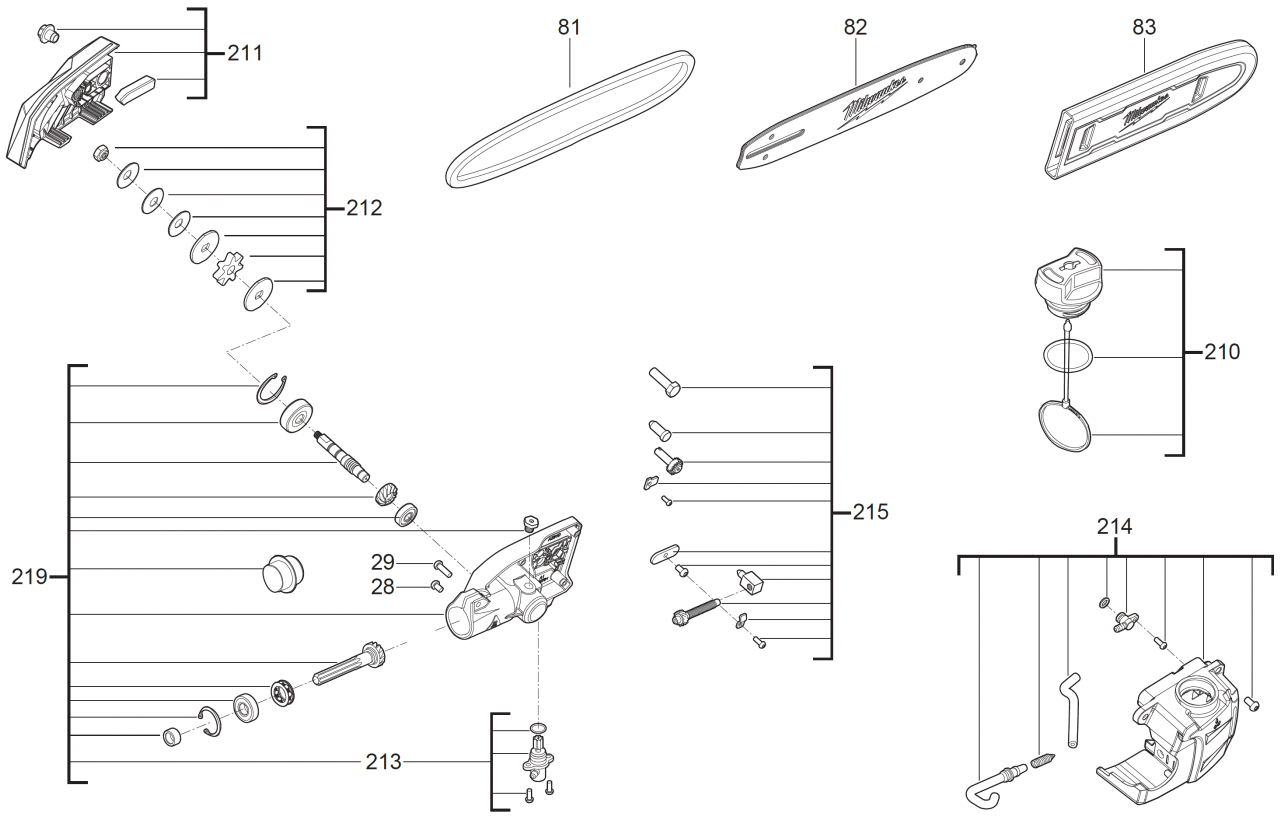


M18FTPS30-0 TELESCOP POLE SAW 30CM XXX

4933480868 - M18FTPS30-0 - 4000497841







Position	Quantity	Description	Part number	EAN
0001 1	3	SCREW	4931494451	4058546470234
0008 2	1	MOTOR COVER	4931496228	4058546533656
0009 3	28	SCREW	4931465326	4058546234263
0017 4	1	SCREW	4931454800	4058546014179
0019 5	2	SCREW	4931473725	4058546356019
0028 6	4	SCREW	4931466677	4058546278946
0029 7	4	SCREW	4931496229	4058546533663
0031 8	4	SCREW	4931480770	4058546427856
0032 9	1	SCREW	4931453068	4002395155729
0037 10	1	SPRING	4931454803	4058546014209
0039 11	1	SPRING	4931454808	4058546014254
0040 12	1	TRIGGER	4931454801	4058546014186
0043 13	1	CONNECTION SET	4931496230	4058546533670
0081 14	1	Saw Chain Top Handle 325LP X 305 X 1.1	4932480177	4058546404628
0082 15	1	GUIDE BAR 12IN/30CM M18 FTHCHS30	4932480171	4058546404567
0083 16	1	SCABBARDS	4931496231	4058546533687
0112 17	2	FOAM RUBBER	4931496232	4058546533694
0113 18	1	ADAPTER	4931496233	4058546533700
0115 19	1	WRENCH	4931465931	4058546240318
0118 20	1	STRAP	4931496234	4058546533717
0120 21	1	COVER	4931496235	4058546533724
0123 22	1	RATING PLATE	4931496236	4058546533731
0126 23	1	FOAM	4931496237	4058546533748
0133 24	1	ALLEN KEY	4931496238	4058546533755
0200 25	1	ELECTRONIC	4931496239	4058546533762
0201 26	1	TRIGGER	4931496240	4058546533779
0202 27	1	GEAR CASE	4931496241	4058546533786
0204 28	1	CONNECTING SHAFT	4931496242	4058546533793
0206 29	1	BUSHING	4931496243	4058546533809
0207 30	1	COLLAR	4931496244	4058546533816
0208 31	1	TUBE	4931496245	4058546533823
0209 32	1	HOLDING BRACKET	4931496246	4058546533830
0210 33	1	CAP	4931496247	4058546533847
0211 34	1	COVER	4931496248	4058546533854
0212 35	1	SPRING	4931496249	4058546533861
0213 36	1	PUMP	4931496250	4058546533878
0214 37	1	TANK	4931496251	4058546533885
0215 38	1	TENSIONING DEVICE	4931496252	4058546533892
0219 39	1	GEAR CASE	4931496253	4058546533908
0230 40	1	HOUSING	4931496254	4058546533915
0231 41	1	GUARD	4931496255	4058546533922