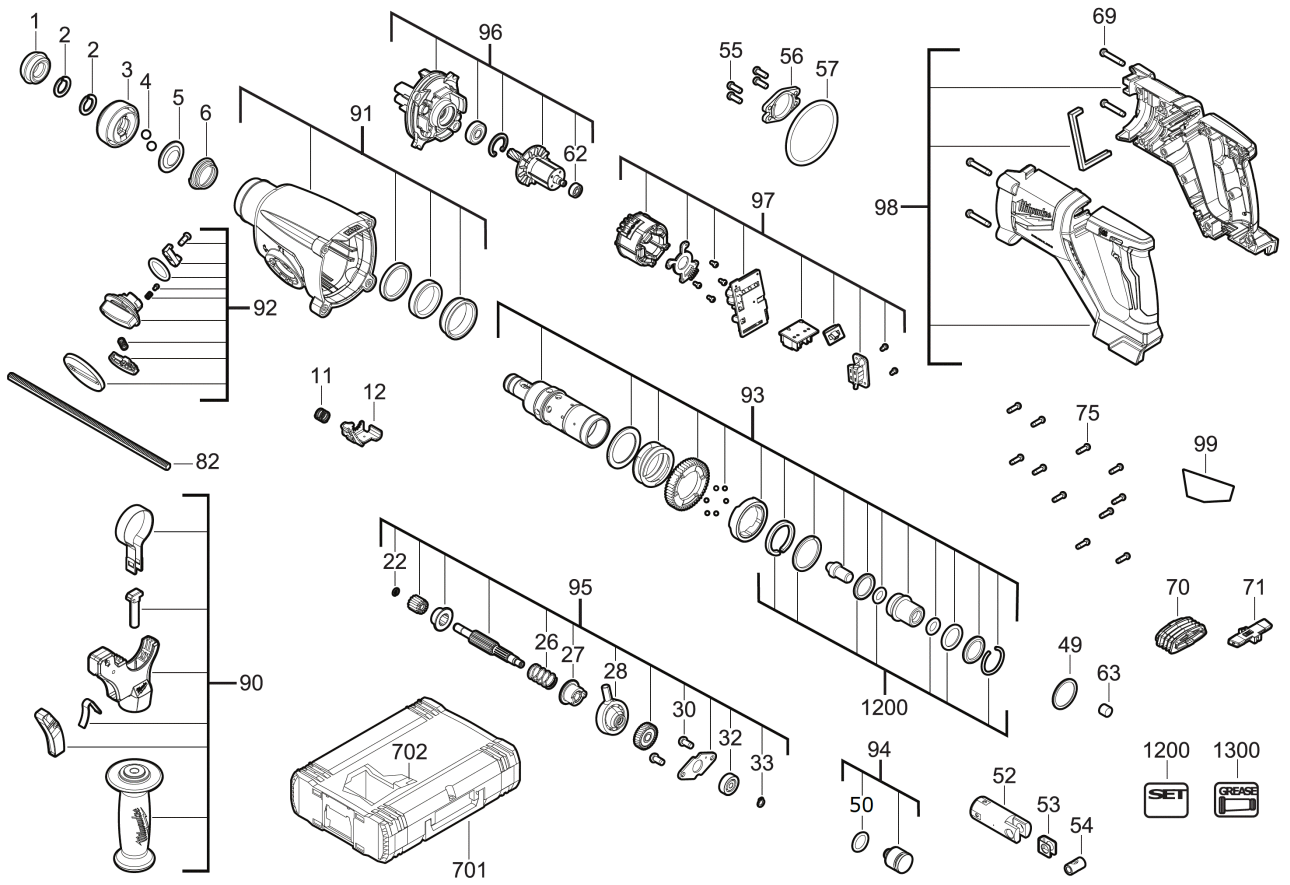


M18BLHACD26-402X 26MM SDS+ HAMMERS D IN2

4933492480 - M18BLHACD26-402X - 4000491977





Position	Quantity	Description	Part number	EAN
0001 1	1	DUST GUARD CAP	4931495336	4058546490041
0002 2	2	RING	4931436764	4002395179831
0003 3	1	SLEEVE	4931495337	4058546490058
0004 4	2	BALL	4931453606	4002395143832
0005 5	1	PLATE	4931436765	4002395179824
0006 6	1	SPRING	4931453607	4002395143849
0011 7	1	SPRING	692732001	4002395852017
0012 8	1	LOCKING PLATE	4931495338	4058546490065
0022 9	1	WASHER	633525001	4002395854141
0026 10	1	SPRING	4931495339	4058546490072
0027 11	1	COUPLING	4931495340	4058546490089
0028 12	1	BEARING	4931495341	4058546490096
0030 13	2	LOCKING SCREW	4931465672	4058546237721
0032 14	1	BALL BEARING	4931495342	4058546490102
0033 15	1	HOLDING RING	4931453975	4002395283224
0049 16	1	SPRING	4931495343	4058546490119
0050 17	1	O-RING	4931436820	4002395179077
0052 18	1	PISTON	4931495344	4058546490126
0053 19	1	WASHER	4931495345	4058546490133
0054 20	1	CYLINDRICAL BOLT	4931436807	4002395180400
0055 21	4	SCREW	4931472725	4058546330279
0056 22	1	BRACKET	4931495346	4058546490140
0057 23	1	O-RING	4931436533	4002395251223
0062 24	1	BALL BEARING	4931466316	4058546275334
0063 25	1	FELT	4931436536	4002395251254
0069 26	4	SCREW	4931495347	4058546490157
0070 27	1	HOUSING	4931495348	4058546490164
0071 28	1	LEVER	4931495349	4058546490171
0075 29	11	SCREW	660570005	4002395827329
0082 30	1	DEPTH GAUGE	4931479598	4058546393618
0090 31	1	HANDLE	4931495350	4058546490188
0091 32	1	HOUSING	4931495351	4058546490195
0092 33	1	ROTARY SWITCH	4931495352	4058546490201
0093 34	1	SPINDLE	4931495353	4058546490218
0094 35	1	STRIKER	4931495354	4058546490225
0095 36	1	SHAFT	4931495355	4058546490232
0096 37	1	GEAR BOX	4931495356	4058546490249
0097 38	1	ELECTRONIC	4931495357	4058546490256
0098 39	1	HOUSING	4931495358	4058546490263
0099 40	1	RATING PLATE	4931495359	4058546490270
0702 41	1	INSERT	4931495360	4058546490287
1200 42	1	MAINTENANCE SET	4931495361	4058546490294
1300 43	1	GEAR GREASE	4931443288	4002395255627