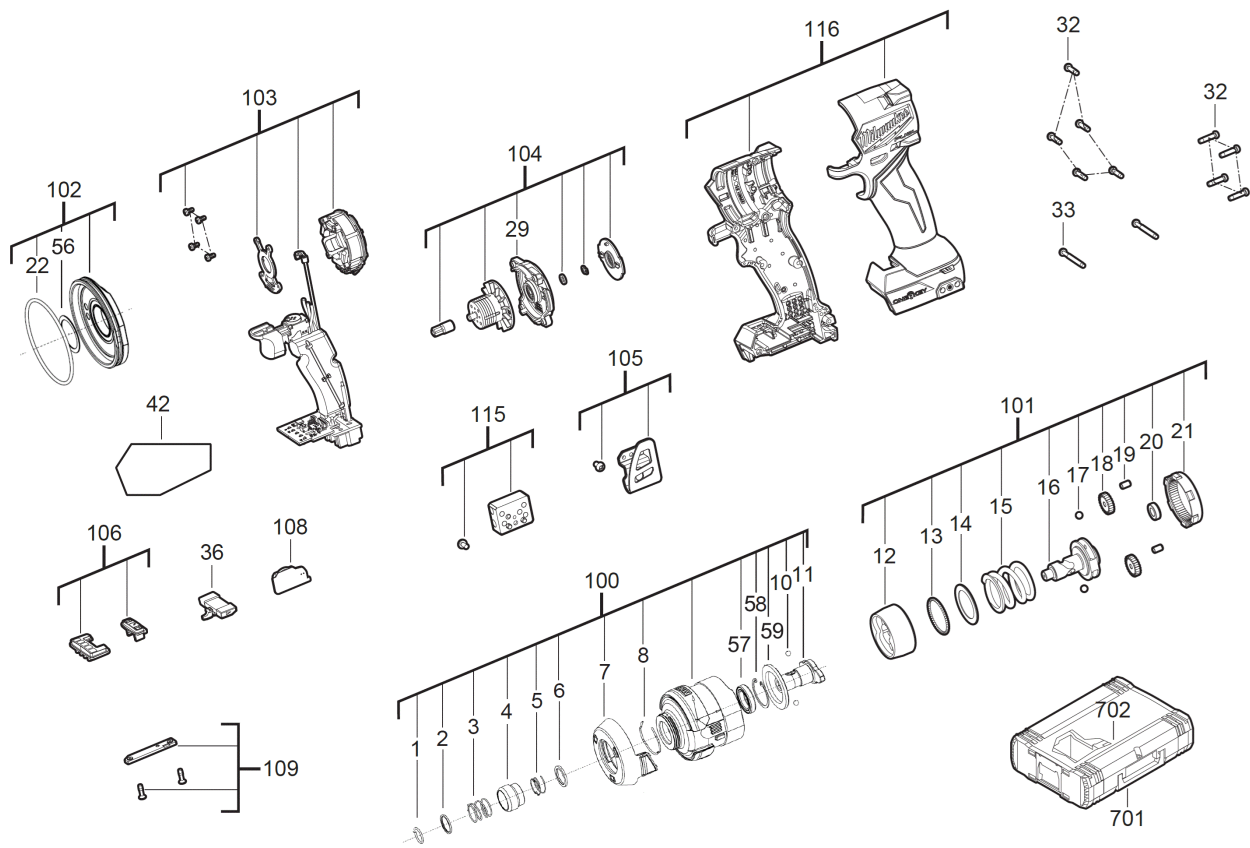


M18ONEID3-502X IMPACT DRIVER GEN 4 IN2

4933492804 - M18ONEID3-502X - 4000510670





Position	Quantity	Description	Part number	EAN
0001 1	1	RETAINING RING	4931494802	4058546473747
0002 2	1	WASHER	4931472076	4058546282936
0003 3	1	SPRING	4931436084	4002395878567
0004 4	1	SLEEVE	4931453234	4002395153275
0005 5	1	SPRING	4931480465	4058546424800
0006 6	1	WASHER	4931465810	4058546239107
0007 7	1	INDICATOR LIGHT	4931494803	4058546473754
0008 8	1	RETAINING RING	4931494804	4058546473761
0010 9	1	ANVIL	4931494805	4058546473778
0011 10	2	BALL	4931494806	4058546473785
0012 11	1	HAMMER	4931494807	4058546473792
0013 12	50	BALL	4931494808	4058546473808
0014 13	1	WASHER	4931494809	4058546473815
0015 14	1	SPRING	4931465815	4058546239152
0016 15	1	CAM SHAFT	4931511109	4058546637712
0017 16	2	BALL	4931494811	4058546473839
0018 17	2	PLANET GEAR	4931494812	4058546473846
0019 18	2	PIN	4931494813	4058546473853
0020 19	1	BALL BEARING	4931465819	4058546239190
0021 20	1	INTERN.GEARED WHEEL	4931465820	4058546239206
0022 21	1	O-RING	4931465821	4058546239213
0029 22	1	CAP	4931494814	4058546473860
0032 23	9	SCREW	4931465499	4058546235994
0033 24	2	SCREW	4931454852	4058546020262
0036 25	1	SWITCH	4931494815	4058546473877
0042 26	1	RATING PLATE	4931511111	4058546637736
0056 27	1	WASHER	4931452053	4002395180189
0057 28	1	BALL BEARING	4931511112	4058546637743
0058 29	1	RING	4931511113	4058546637750
0059 30	1	WASHER	4931452798	4002395169283
0100 31	1	GEAR CASE	4931511114	4058546637767
0101 32	1	IMPACT BOLT	4931494818	4058546473907
0102 33	1	GUARD CAP	4931511115	4058546637774
0103 34	1	ELECTRONIC	4931495393	4058546490614
0104 35	1	ARMATURE	4931494821	4058546473938
0105 36	1	BELT CLIP	4931465831	4058546239312
0106 37	1	SPEED CONTROL	4931495394	4058546490621
0108 38	1	ELECTRONIC ELEMENT	4931466275	4058546274924
0109 39	1	COVER ASSY	4931495395	4058546490638
0115 40	1	BIT HOLDER	4931494824	4058546473969
0116 41	1	HOUSING	4931495396	4058546490645
0702 42	1	INSERT	4931495397	4058546490652