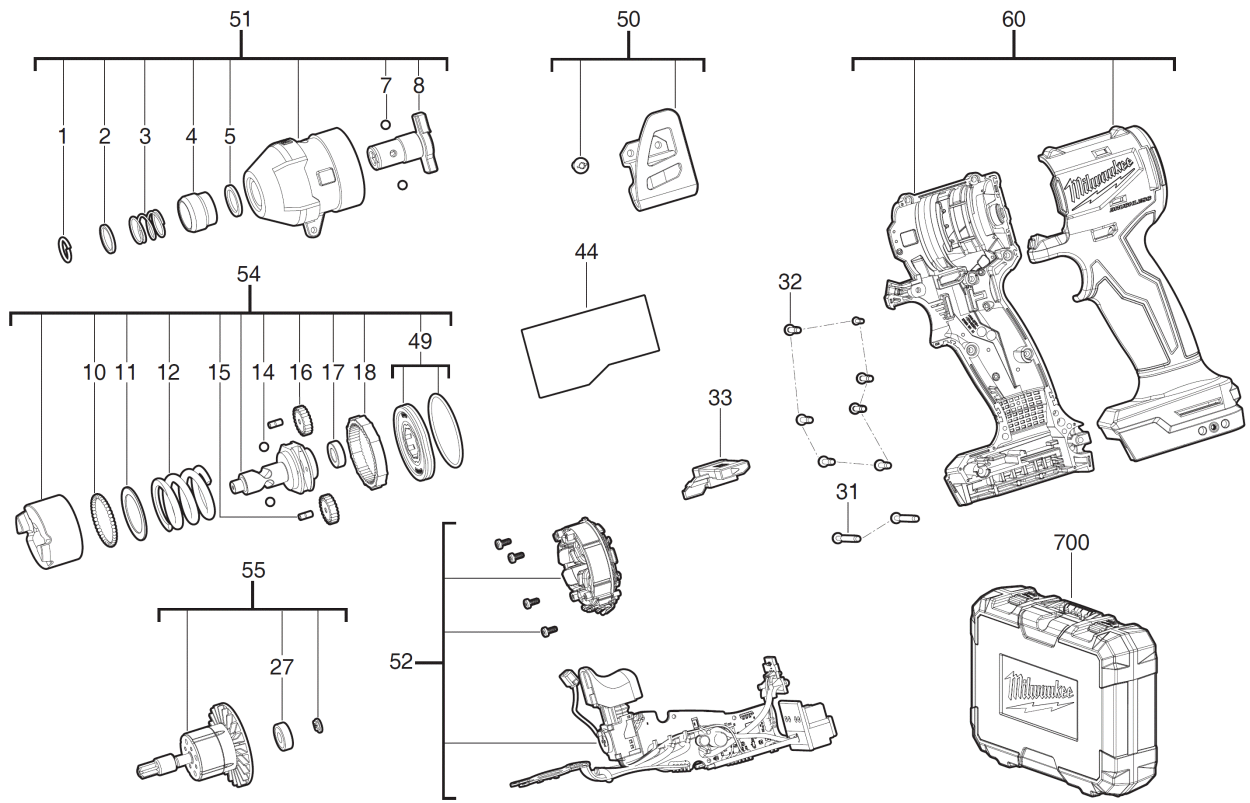


# **M18BLCPP2B-502C DRILL DRIVER KIT IN2**

**4933492837 - M18BLCPP2B-502C - 4000481764**



Position	Quantity	Description	Part number	EAN
0001 1	1	RETAINING RING	4931494802	4058546473747
0002 2	1	WASHER	4931472076	4058546282936
0003 3	1	SPRING	4931436084	4002395878567
0004 4	1	SLEEVE	4931453234	4002395153275
0005 5	1	WASHER	4931465810	4058546239107
0007 6	2	BALL	4931494806	4058546473785
0008 7	1	ANVIL	4931495888	4058546495565
0010 8	41	BALL	4931494808	4058546473808
0011 9	1	WASHER	4931495889	4058546495572
0012 10	1	SPRING	4931495890	4058546495589
0014 11	2	BALL	4931494811	4058546473839
0015 12	2	PIN	4931495891	4058546495596
0016 13	2	PLANET WHEEL	4931495892	4058546495602
0017 14	1	BALL BEARING	4931465819	4058546239190
0018 15	1	INTERN.GEARED WHEEL	4931495893	4058546495619
0027 16	1	BALL BEARING	4931453276	4002395158676
0031 17	2	SCREW	4931454852	4058546020262
0032 18	7	SCREW	4931465499	4058546235994
0033 19	1	SWITCH	4931495894	4058546495626
0044 20	1	LABEL	4931495907	4058546495756
0049 21	1	GEAR BOX COVER	4931495896	4058546495640
0050 22	1	BELT CLIP	4931465831	4058546239312
0051 23	1	GEAR BOX ASSY	4931495897	4058546495657
0052 24	1	ELECTRONIC	4931495910	4058546495787
0054 25	1	GEAR BOX KIT	4931495899	4058546495671
0055 26	1	ROTOR	4931495900	4058546495688
0060 27	1	HOUSING	4931495913	4058546495817
0700 28	1	CARRYING CASE	4931495914	4058546495824