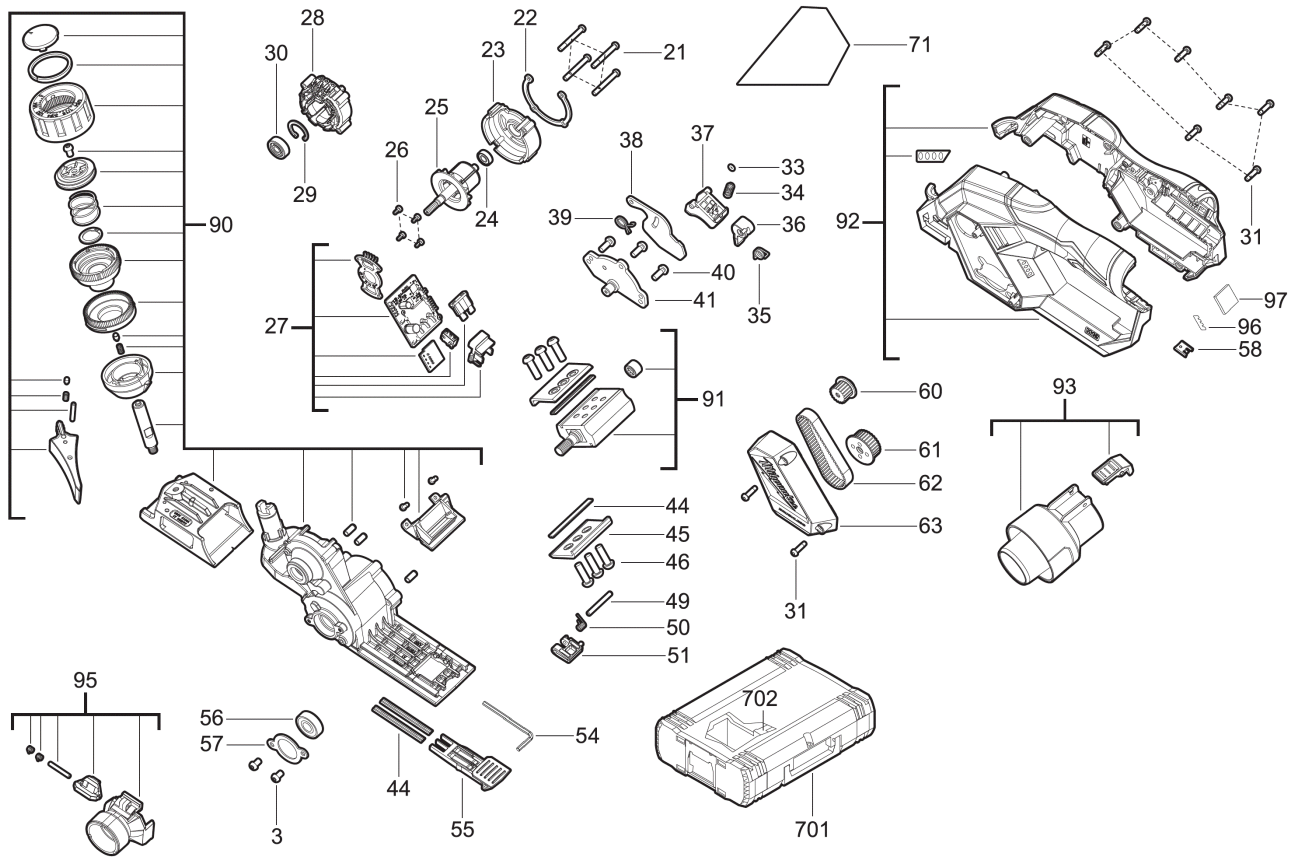


# M12BLP-0X BRUSHLESS PLANER XXX

4933492850 - M12BLP-0X - 4000497101





Position	Quantity	Description	Part number	EAN
0003 1	2	SCREW	4931495405	4058546490737
0021 2	4	SCREW	4931495406	4058546490744
0022 3	1	MOTOR PLATE	4931495407	4058546490751
0023 4	1	COVER PLATE	4931495408	4058546490768
0024 5	1	BALL BEARING	4931495379	4058546490478
0025 6	1	ARMATURE	4931495409	4058546490775
0026 7	4	SCREW	4931494245	4058546468170
0027 8	1	ELECTRONIC	4931495410	4058546490782
0028 9	1	ELECTRIC FIELD	4931495411	4058546490799
0029 10	1	MOUNTING RING	4931495412	4058546490805
0030 11	1	BALL BEARING	4931473917	4058546364854
0031 12	9	SCREW	660570005	4002395827329
0033 13	1	O-RING	4931480707	4058546427221
0034 14	1	SPRING	4931495413	4058546490812
0035 15	1	SPRING	4931495414	4058546490829
0036 16	1	TRIGGER	4931495415	4058546490836
0037 17	1	TRIGGER	4931495416	4058546490843
0038 18	1	GUARD	4931495417	4058546490850
0039 19	1	SPRING	4931495418	4058546490867
0040 20	3	SCREW	4931494244	4058546468163
0041 21	1	BRACKET	4931495419	4058546490874
0044 22	1	TCTplaner blades 56.1mm-2pc	4932493399	4058546482701
0045 23	2	CLAMPING PLATE	4931495420	4058546490881
0046 24	6	SCREW	4931453009	4002395171347
0049 25	1	PIN	4931495421	4058546490898
0050 26	1	SPRING	4931495422	4058546490904
0051 27	1	BRACKET	4931495423	4058546490911
0054 28	1	HEX WRENCH	4931511839	4058546656959
0055 29	1	HOLDER	4931495424	4058546490928
0056 30	1	BALL BEARING	4931495425	4058546490935
0057 31	1	BEARING CAGE	4931495426	4058546490942
0058 32	1	CONNECTOR	4931436292	4002395252909
0060 33	1	PULLEY	4931495427	4058546490959
0061 34	1	PULLEY	4931495428	4058546490966
0062 35	1	BELT	4931495429	4058546490973
0063 36	1	COVER	4931495430	4058546490980
0071 37	1	RATING PLATE	4931495431	4058546490997
0090 38	1	GUIDE SHOE	4931495432	4058546491000
0091 39	1	CUTTING HEAD	4931495433	4058546491017
0092 40	1	HANDLE COVER	4931495434	4058546491024
0093 41	1	DUST EXTR.CONNECTOR	4931494106	4058546429874
0095 42	1	VACCUUM CONNECTOR	4931495435	4058546491031
0096 43	1	COVER	4931495626	4058546492946
0097 44	1	COVER PLATE	4931495627	4058546492953
0702 45	1	INSERT	4931508502	4058546631642