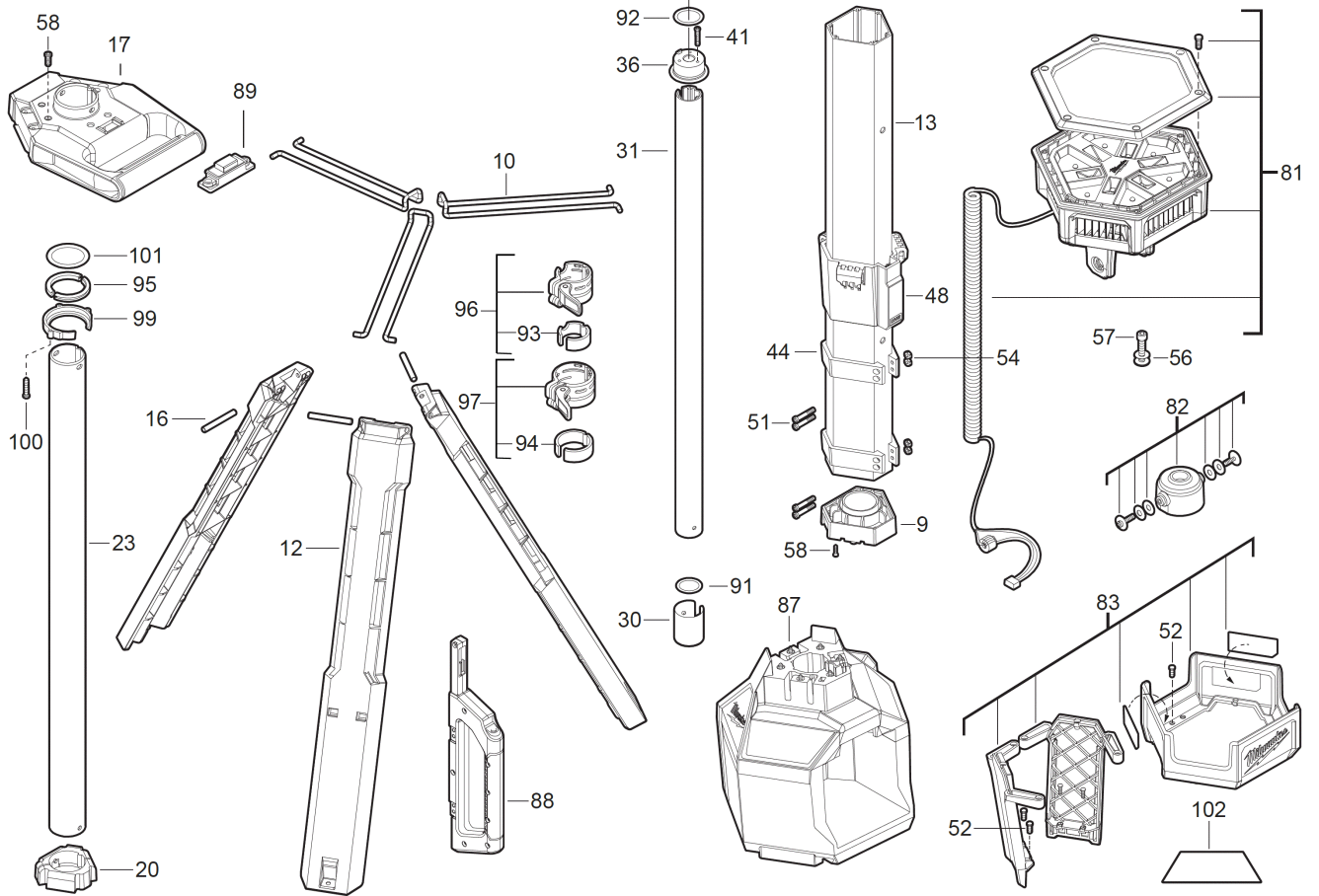


M18SAL2-502B M18 STAND AREA LIGHT IN2

4933492903 - M18SAL2-502B - 4000497000





Position	Quantity	Description	Part number	EAN
0009 1	1	COVER	4931494920	4058546485887
0010 2	3	SWIVEL FOOT	Item discontinued(4931453478)	
0012 3	3	FOOT	4931453480	4002395149506
0013 4	1	COLUMN	4931494921	4058546485894
0016 5	3	PIN	4931453481	4002395149513
0017 6	1	HANDLE PIECE	4931494940	4058546486082
0020 7	1	COVER	4931494922	4058546485900
0023 8	1	TUBE	4931494923	4058546485917
0030 9	1	BUSHING	4931494924	4058546485924
0031 10	1	TUBE	4931494925	4058546485931
0036 11	1	BRACKET	4931494926	4058546485948
0041 12	3	SCREW	4931494927	4058546485955
0044 13	2	CLAMPING RING	Item discontinued(4931453482)	
0048 14	1	BRACKET	4931494928	4058546485962
0051 15	4	SCREW	4931494929	4058546485979
0052 16	10	SCREW	4931494930	4058546485986
0054 17	4	NUT	4931494931	4058546485993
0056 18	2	WASHER	4931494932	4058546486006
0057 19	1	SCREW	4931494933	4058546486013
0058 20	12	SCREW	4931453488	4002395149582
0081 21	1	INDICATOR LIGHT	4931494934	4058546486020
0082 22	1	COVER	4931494935	4058546486037
0083 23	1	COVER ASSY	4931494936	4058546486044
0087 24	1	ELECTRONIC	4931494938	4058546486068
0088 25	1	HANDLE	4931494939	4058546486075
0089 26	1	SWITCH	4931495822	4058546494902
0091 27	1	O-RING	4931454880	4058546020545
0092 28	1	O-RING	4931494941	4058546486099
0093 29	1	SLEEVE	4931494942	4058546486105
0094 30	1	SLEEVE	4931494943	4058546486112
0095 31	1	CLAMPING PIECE	4931495823	4058546494919
0096 32	1	CLAMPING PIECE	4931461471	4058546037048
0097 33	1	CLAMPING RING	4931461470	4058546037031
0099 34	1	SLEEVE	4931494944	4058546486129
0100 35	3	SCREW	4931494945	4058546486136
0101 36	1	SPRING	4931494946	4058546486143
0102 37	1	RATING PLATE	4931494947	4058546486150