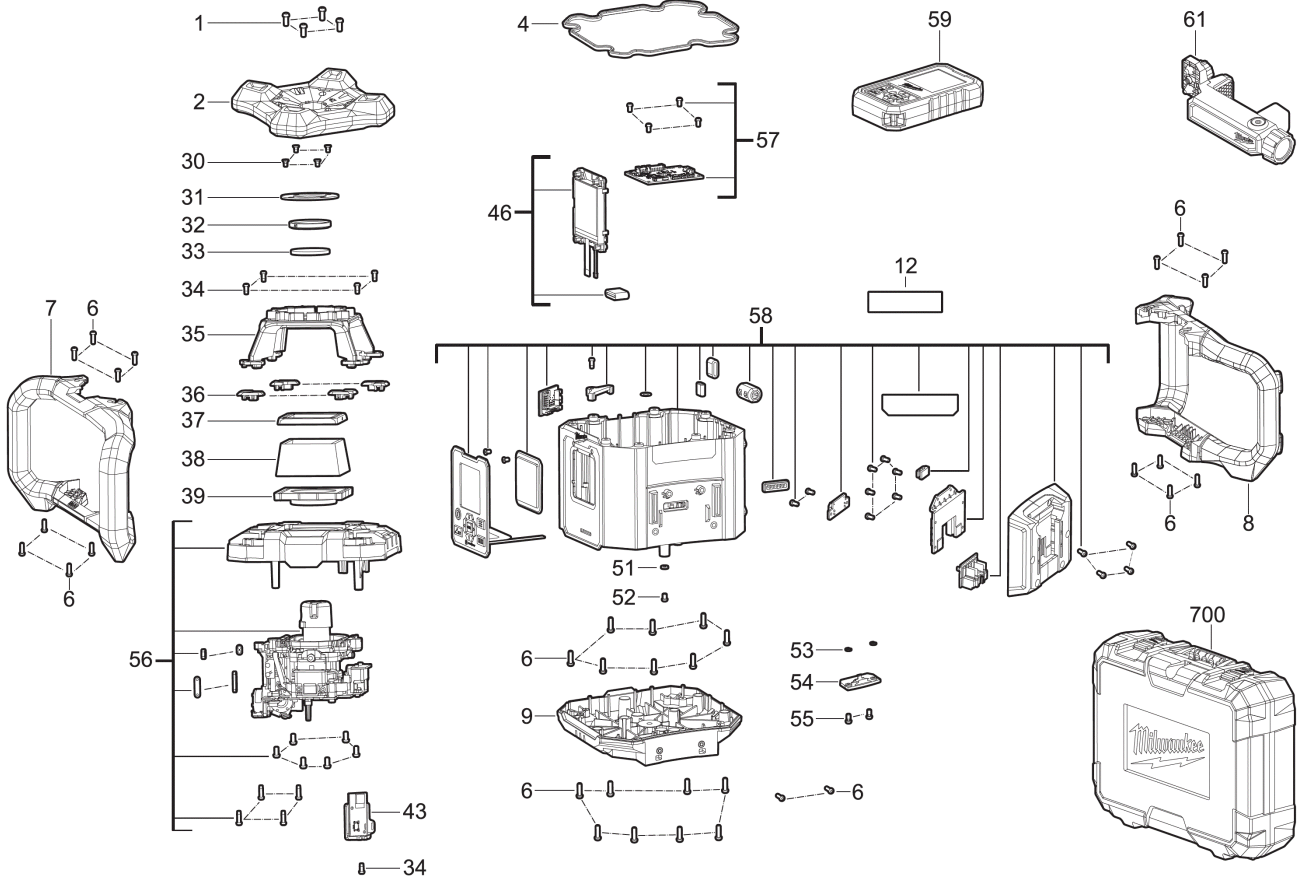


# M18RLOHV1200-501C ROTAR LASER 1200M IN2

4933493204 - M18RLOHV1200-501C - 4000497564





Position	Quantity	Description	Part number	EAN
0001 1	4	SCREW	4931496569	4058546537067
0002 2	1	COVER	4931496599	4058546537364
0004 3	1	GASKET	4931496571	4058546537081
0006 4	38	SCREW	4931496572	4058546537098
0007 5	1	HANDLE	4931496573	4058546537104
0008 6	1	HANDLE	4931496600	4058546537371
0009 7	1	HOUSING	4931496575	4058546537128
0012 8	1	RATING PLATE	4931496725	4058546538620
0030 9	4	SCREW	4931496602	4058546537395
0031 10	1	PLATE	4931496603	4058546537401
0032 11	1	GASKET	4931496726	4058546538637
0033 12	1	GLASS	4931496605	4058546537425
0034 13	5	SCREW	4931496577	4058546537142
0035 14	1	COVER	4931496606	4058546537432
0036 15	4	BRACKET	4931496607	4058546537449
0037 16	1	GASKET	4931496727	4058546538644
0038 17	1	GLASS	4931496609	4058546537463
0039 18	1	GASKET	4931496728	4058546538651
0043 19	1	BLUETOOTH PCBA	4931496729	4058546538668
0046 20	1	Display	4931496730	4058546538675
0051 21	1	GASKET	4931496590	4058546537272
0052 22	1	SCREW	4931496591	4058546537289
0053 23	2	CLIP	Item discontinued(4931496595)	
0054 24	1	COVER	4931496614	4058546537517
0055 25	2	SCREW	4931496593	4058546537302
0056 26	1	ASSEMBLY KIT	4931496735	4058546538729
0057 27	1	ELECTRONIC	4931496618	4058546537555
0058 28	1	HOUSING	4931496736	4058546538736
0059 29	1	M18ROLOHV1200-REMOTE CONTROL WITH LABEL	4931497580	4058546552299
0061 30	1	CLAMP	4931496361	4058546534981
0700 31	1	CARRYING CASE	4931496598	4058546537357