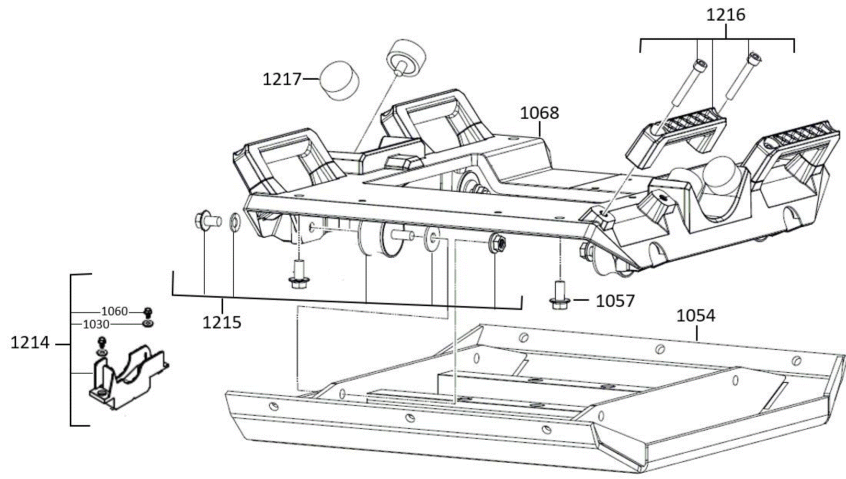
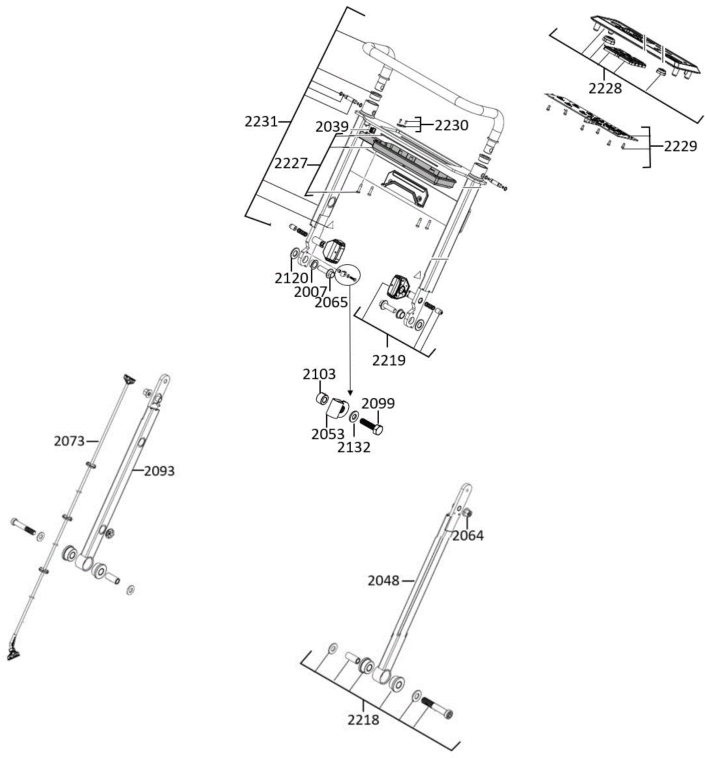


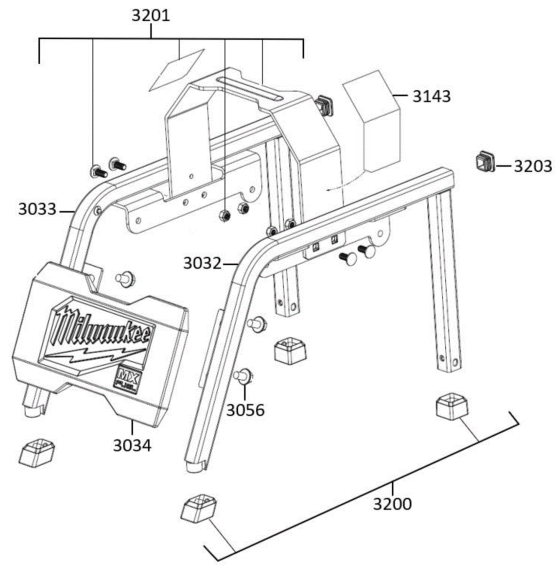
MXFPC50-122 PLATE COMPACTOR IN2

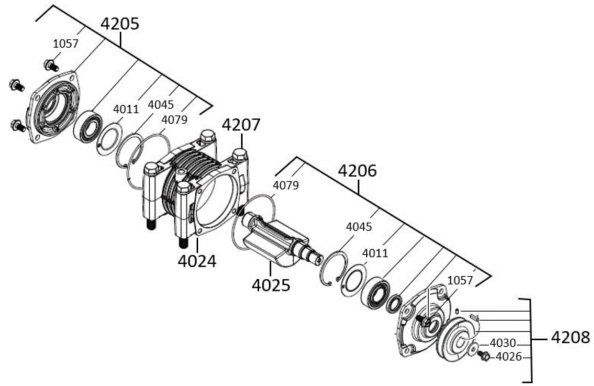
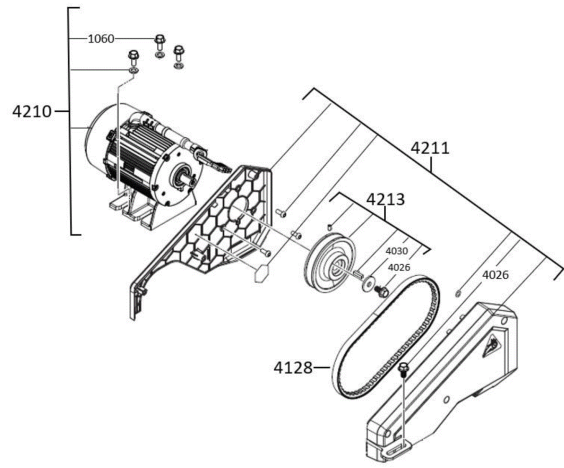
4933493268 - MXFPC50-122 - 4000497315

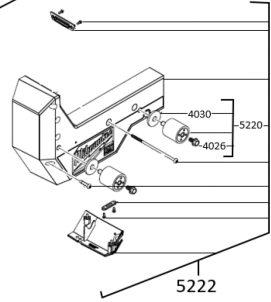
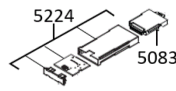
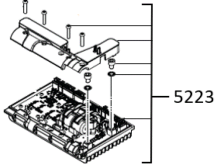
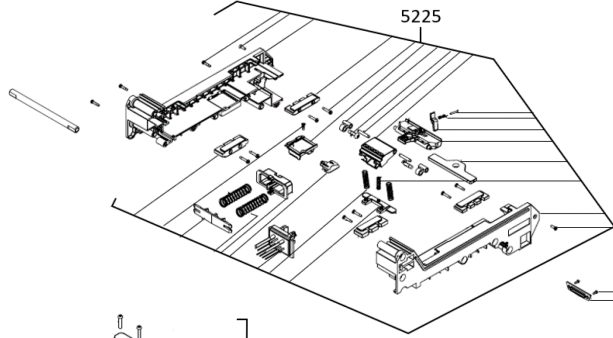
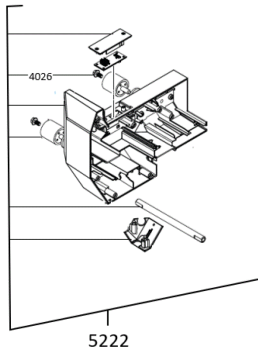












Position	Quantity	Description	Part number	EAN
1030 1	6	WASHER	4931506685	4058546559991
1054 2	1	BASE PLATE	4931506686	4058546560003
1057 3	12	SCREW	4931506687	4058546560010
1060 4	5	SCREW	4931506688	4058546560027
1068 5	1	BASE PLATE	4931506689	4058546560034
1214 6	1	GUARD	4931506690	4058546560041
1215 7	1	BELT	4931506691	4058546560058
1216 8	4	HANDLE SET	4931506692	4058546560065
1217 9	1	RUBBER BUMPER	4931506693	4058546560072
2007 10	2	BEARING	4931506694	4058546560089
2039 11	1	GROMMET	4931506695	4058546560096
2048 12	1	FOOT	4931506696	4058546560102
2053 13	1	CLAMP	4931506697	4058546560119
2064 14	2	NUT	4931506698	4058546560126
2065 15	2	SCREW	4931506699	4058546560133
2073 16	1	WIRE	4931506700	4058546560140
2093 17	1	FOOT	4931506701	4058546560157
2099 18	1	SCREW	4931506702	4058546560164
2103 19	1	SCREW	4931506703	4058546560171
2120 20	2	WASHER	4931506704	4058546560188
2132 21	1	WASHER	4931506705	4058546560195
2218 22	2	ISOLATION	4931506706	4058546560201
2219 23	2	KNOB	4931506707	4058546560218
2227 24	1	SUPPORT	4931506708	4058546560225
2228 25	1	SERVICE KIT	4931506709	4058546560232
2229 26	1	ELECTRONIC	4931506710	4058546560249
2230 27	1	CABLE CLAMP	4931506711	4058546560256
2231 28	1	HANDLE SET	4931506712	4058546560263
3032 29	1	FRAME	4931506713	4058546560270
3033 30	1	FRAME	4931506714	4058546560287
3034 31	1	LABEL	4931506715	4058546560294
3056 32	4	SCREW	4931506716	4058546560300
3143 33	1	RATING PLATE	4931506717	4058546560317
3200 34	1	RUBBER BUMPER	4931506718	4058546560324
3201 35	1	PLATE	4931506719	4058546560331
3203 36	1	TUBE	4931506720	4058546560348
4011 37	2	WASHER	4931506721	4058546560355
4024 38	1	HOUSING	4931506722	4058546560362
4025 39	1	SHAFT	4931506723	4058546560379
4026 40	9	SCREW	4931506724	4058546560386
4045 41	2	RETAINING RING	4931506725	4058546560393
4079 42	2	O-RING	4931506726	4058546560409
4128 43	1	BELT	4931506727	4058546560416
4205 44	1	COVER	4931506728	4058546560423
4206 45	1	COVER	4931506729	4058546560430
4207 46	1	LOCKING SCREW SET	4931506730	4058546560447
4208 47	1	PULLEY	4931506731	4058546560454
4210 48	1	MOTOR	4931506732	4058546560461
4211 49	1	GUARD	4931506733	4058546560478
4213 50	1	PULLEY	4931506734	4058546560485

Position	Quantity	Description	Part number	EAN
5083 51	1	INSERT CARD	4931496713	4058546538507
5220 52	1	HOUSING	4931506735	4058546560492
5222 53	1	HOUSING COVER	4931506736	4058546560508
5223 54	1	ELECTRONIC	4931506737	4058546560515
5224 55	1	POWER MODULE	4931506738	4058546560522
5225 56	1	GUIDE RAIL	4931506739	4058546560539