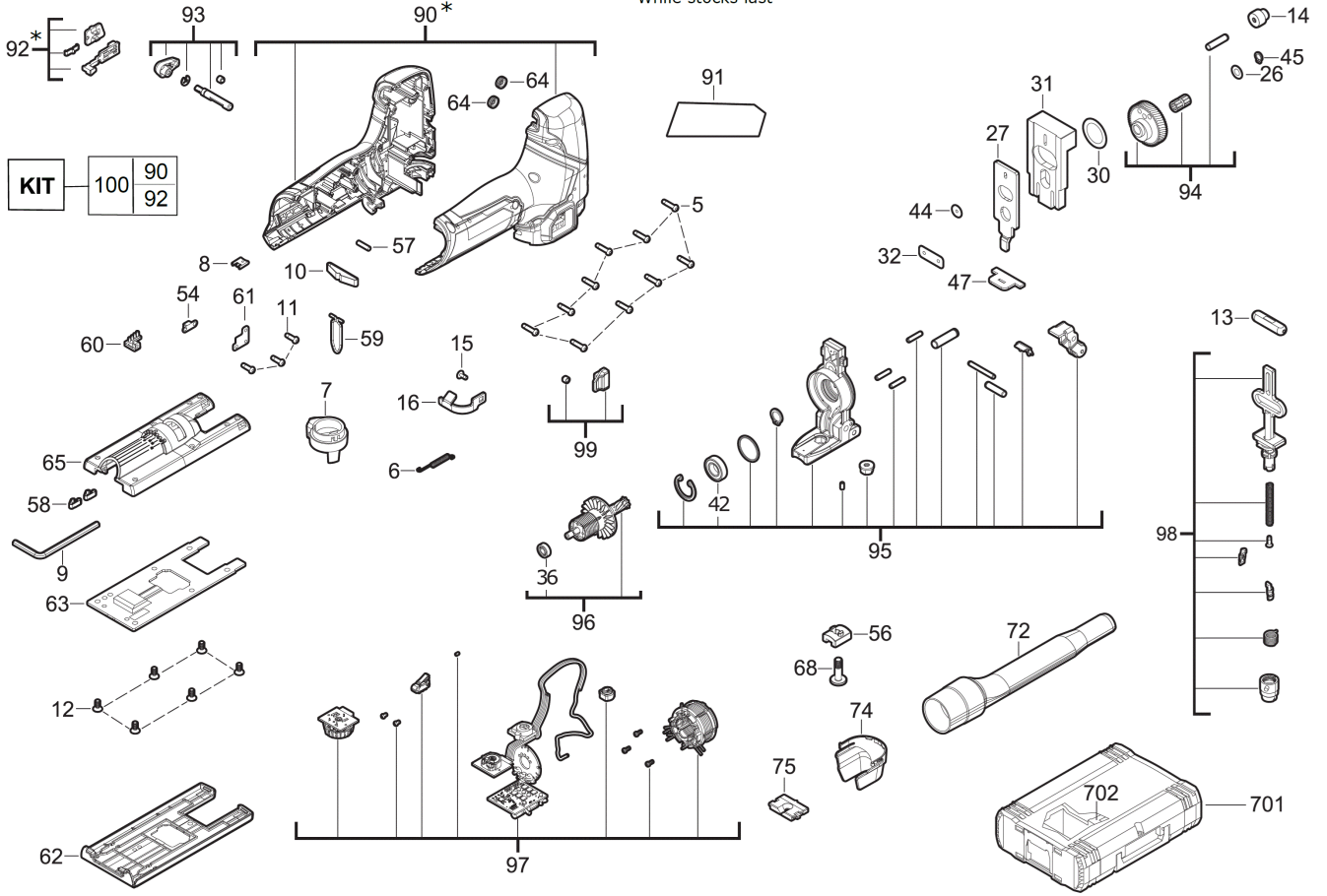


M12FJS-0 BODYGRIP JIGSAW XXX

4933493347 - M12FJS-0 - 4000497516



* While stocks last



Position	Quantity	Description	Part number	EAN
0005 1	10	SCREW	4931465499	4058546235994
0006 2	1	SPRING	4931454321	4002395286119
0007 3	1	SHOE REL.LEVER KIT	4931466421	4058546276386
0008 4	1	CONNECTOR	4931436292	4002395252909
0009 5	1	HEX WRENCH	4931495829	4058546494971
0010 6	1	SPRING	4931495830	4058546494988
0011 7	3	SCREW	4931436686	4002395258260
0012 8	6	SCREW	4931454315	4002395285457
0013 9	1	BUSHING	4931495831	4058546494995
0014 10	1	CAM	4931495832	4058546495008
0015 11	1	SCREW	4931465139	4058546232399
0016 12	1	BRACKET	4931495833	4058546495015
0026 13	1	WASHER	4931495834	4058546495022
0027 14	1	RETAINING PLATE	4931495835	4058546495039
0030 15	1	WASHER	4931495836	4058546495046
0031 16	1	SUPPORTING PLATE	4931495837	4058546495053
0032 17	1	LATCH PLATE	4931495838	4058546495060
0036 18	1	BALL BEARING	4931495839	4058546495077
0042 19	1	BALL BEARING	4931495840	4058546495084
0044 20	1	WASHER	4931495841	4058546495091
0045 21	1	HOLDING RING	4931465917	4058546240172
0047 22	1	SEAL	4931495842	4058546495107
0054 23	1	GASKET	4931495843	4058546495114
0056 24	1	CLAMPING PIECE	4931495844	4058546495121
0057 25	1	RUBBER	4931495845	4058546495138
0058 26	2	SPRING	4931466431	4058546276485
0059 27	1	CONNECTION WIRE	4931495846	4058546495145
0060 28	1	BRACKET	4931495847	4058546495152
0061 29	1	COVER	4931495848	4058546495169
0062 30	1	PROTECTING SHOE	4931495849	4058546495176
0063 31	1	GUIDE SHOE	4931495850	4058546495183
0064 32	2	RUBBER RING	4931495851	4058546495190
0065 33	1	PROTECTING SHOE	4931495852	4058546495206
0068 34	1	SCREW	4931466424	4058546276416
0072 35	1	TUBE	4931495853	4058546495213
0074 36	1	COVER	4931466420	4058546276379
0075 37	1	ANT-CHIPPING DEVICE	4931431787	4002395895700
0090 38	1	HANDLE SET	Item discontinued(4931495854)	
0091 39	1	RATING PLATE	4931495855	4058546495237
0092 40	1	SWITCH BUTTON	Item discontinued(4931495856)	
0093 41	1	ADJUSTER	4931495857	4058546495251
0094 42	1	BEARING NEEDLE	4931496280	4058546534172
0095 43	1	FRAME	4931495858	4058546495268
0096 44	1	ARMATURE	4931495859	4058546495275
0097 45	1	ELECTRONIC	4931495860	4058546495282
0098 46	1	SPINDLE KIT	4931495861	4058546495299
0099 47	1	BUTTON	4931495862	4058546495305
0100 48	1	HANDLE SET	4931511540	4058546653965
0702 49	1	INSERT	4931495863	4058546495312