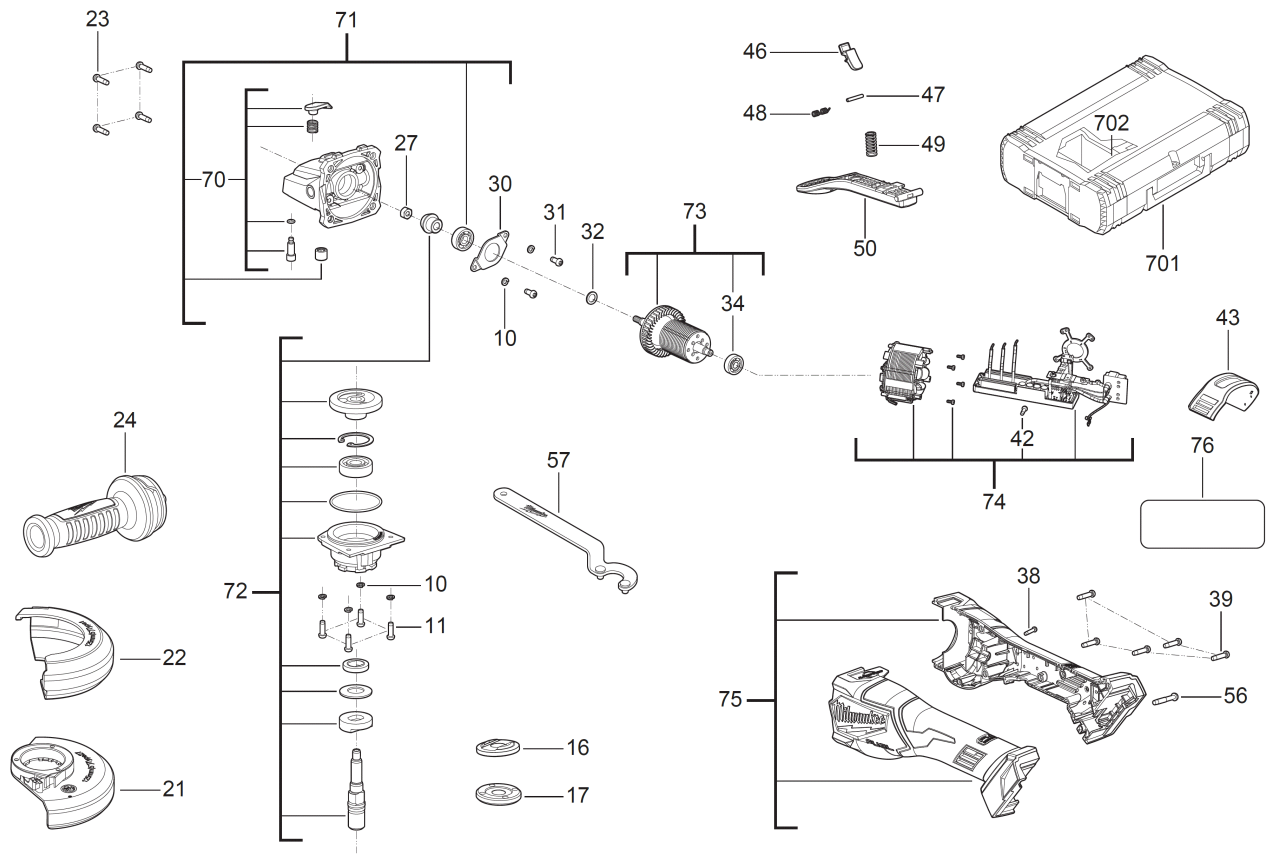


# M18FHSAG125XPDB2-0X 125MM GRINDER XXX

4933493417 - M18FHSAG125XPDB2-0X - 4000497915





Position	Quantity	Description	Part number	EAN
0010 1	6	PROTECTION WASHER	680866003	4002395823895
0011 2	4	SCREW	4931435150	4002395859948
0016 3	1	FLANGE	4931479268	4058546385835
0017 4	1	FLANGE NUT	4931506775	4058546560898
0021 5	1	GUARD	4931479287	4058546386023
0022 6	1	CUTTING GUARD	4931479288	4058546386030
0023 7	4	SCREW	4931496932	4058546552466
0024 8	1	AUXILIARY HANDLE	4931435002	4002395855919
0027 9	1	NUT	671686001	4002395824526
0030 10	1	BEARING CAGE	672569001	4002395824533
0031 11	2	SCREW	4931473732	4058546356088
0032 12	1	WASHER	4931479270	4058546385859
0034 13	1	BALL BEARING	4931466924	4058546281410
0038 14	1	SCREW	661047001	4002395824496
0039 15	5	SCREW	660031017	4002395825189
0042 16	1	SCREW	4931436686	4002395258260
0043 17	1	DUST CAP	4931506778	4058546560928
0046 18	1	TRIGGER	4931479404	4058546387198
0047 19	1	BOLT	4931454155	4002395285693
0048 20	1	SPRING	4931496284	4058546534219
0049 21	1	SPRING	4931479407	4058546387228
0050 22	1	TRIGGER	4931496285	4058546534226
0056 23	1	SCREW	4931496283	4058546534202
0057 24	1	SPANNER M14	632145002	4002395823727
0070 25	1	SPINDLE LOCK	4931506781	4058546560959
0071 26	1	GEAR BOX ASSY	4931506782	4058546560966
0072 27	1	SPINDLE KIT	4931506783	4058546560973
0073 28	1	ROTOR	4931506784	4058546560980
0074 29	1	ELECTRONIC	4931506796	4058546561109
0075 30	1	HOUSING	4931506786	4058546561000
0076 31	1	RATING PLATE	4931506797	4058546561116
0702 32	1	INSERT	4931506788	4058546561024