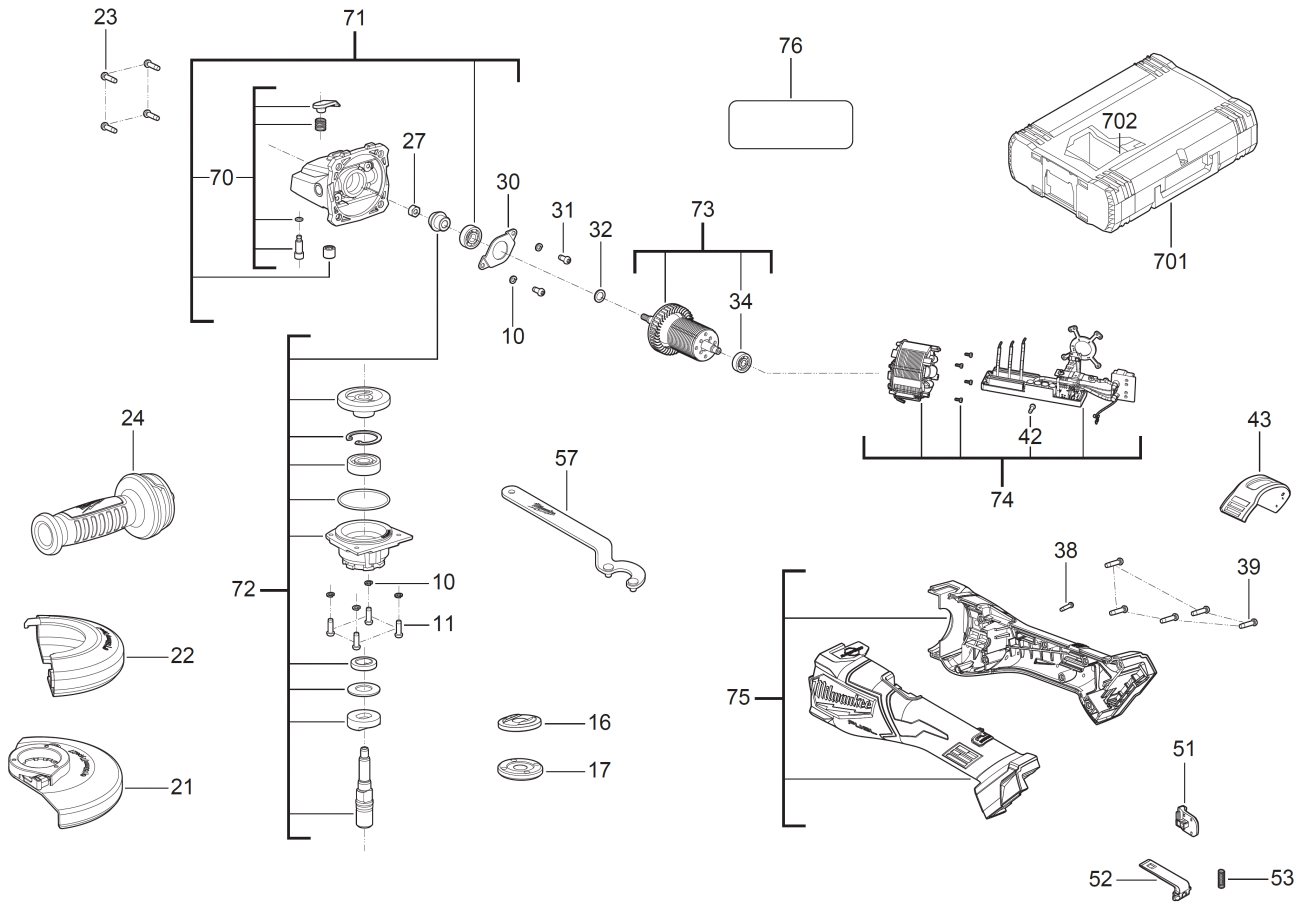


M18FHSAG150XB2-0X 150MM GRINDER XXX

4933493421 - M18FHSAG150XB2-0X - 4000497905





Position	Quantity	Description	Part number	EAN
0010 1	6	PROTECTION WASHER	680866003	4002395823895
0011 2	4	SCREW	4931435150	4002395859948
0016 3	1	FLANGE	4931479268	4058546385835
0017 4	1	FLANGE NUT	4931506775	4058546560898
0021 5	1	CUTTING GUARD	4931506798	4058546561123
0022 6	1	GUARD	4931507650	4058546601614
0023 7	4	SCREW	4931496932	4058546552466
0024 8	1	AUXILIARY HANDLE	4931435002	4002395855919
0027 9	1	NUT	671686001	4002395824526
0030 10	1	BEARING CAGE	672569001	4002395824533
0031 11	2	SCREW	4931473732	4058546356088
0032 12	1	WASHER	4931479270	4058546385859
0034 13	1	BALL BEARING	4931466924	4058546281410
0038 14	1	SCREW	661047001	4002395824496
0039 15	7	SCREW	660031017	4002395825189
0042 16	1	SCREW	4931436686	4002395258260
0043 17	1	DUST CAP	4931506778	4058546560928
0051 18	1	SLIDER	4931479272	4058546385873
0052 19	1	SLIDER	4931506800	4058546561147
0053 20	1	SPRING	4931479273	4058546385880
0057 21	1	SPANNER M14	632145002	4002395823727
0070 22	1	SPINDLE LOCK	4931506781	4058546560959
0071 23	1	GEAR BOX ASSY	4931506782	4058546560966
0072 24	1	SPINDLE KIT	4931506783	4058546560973
0073 25	1	ROTOR	4931506784	4058546560980
0074 26	1	ELECTRONIC	4931506790	4058546561048
0075 27	1	HOUSING	4931506791	4058546561055
0076 28	1	RATING PLATE	4931506802	4058546561161
0702 29	1	INSERT	4931506788	4058546561024