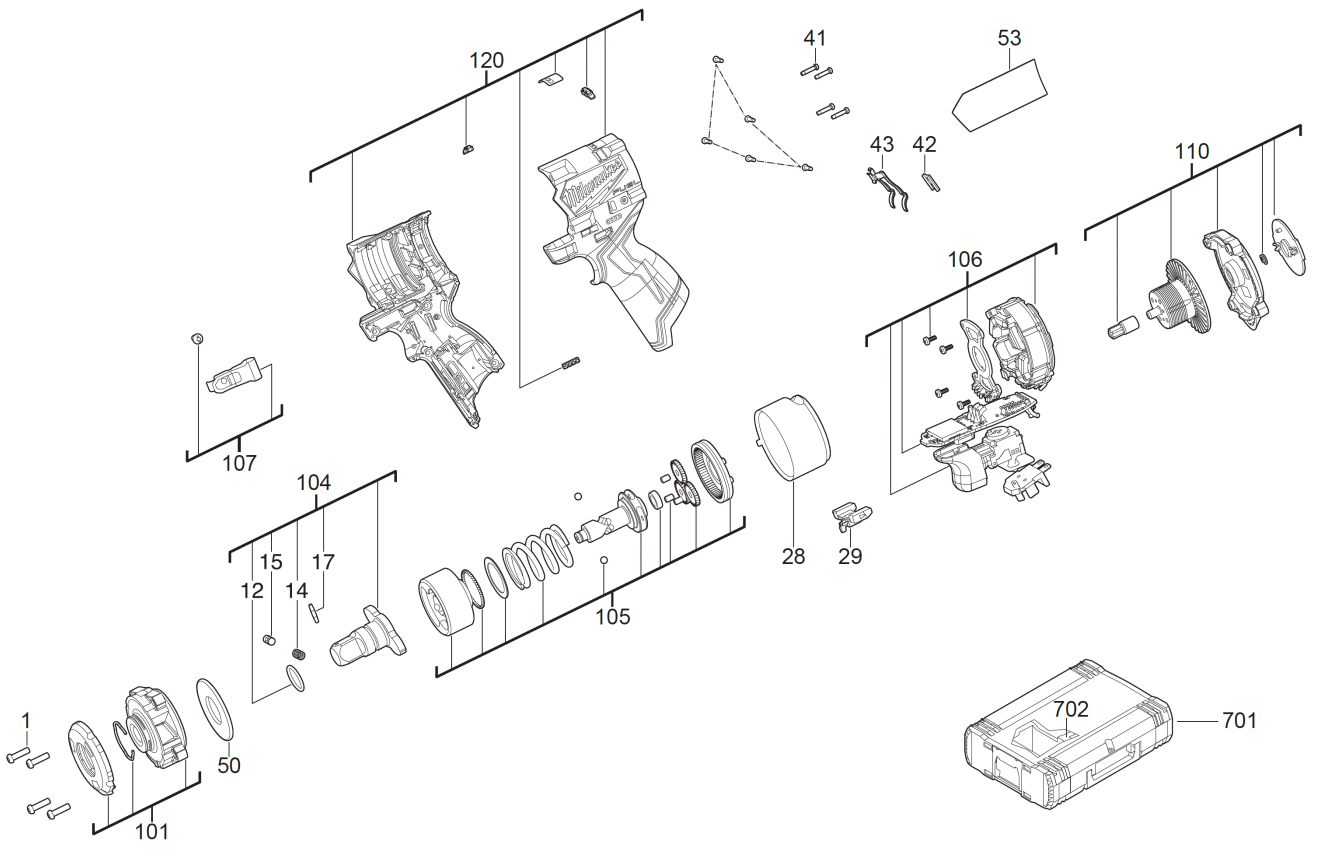


M12FCIWP12G3-0 1/2in IMPACT WRENCH XXX

4933493457 - M12FCIWP12G3-0 - 4000481987





Position	Quantity	Description	Part number	EAN
0001 1	4	SCREW	4931506043	4058546553579
0012 2	1	O-RING	4931473546	4058546354220
0014 3	1	SPRING	4931465393	4058546234935
0015 4	1	PIN	4931506553	4058546558673
0017 5	1	BOLT	4931453279	4002395159307
0028 6	1	SLEEVE	4931506538	4058546558529
0029 7	1	TRIGGER	4931506539	4058546558536
0041 8	9	SCREW	4931465499	4058546235994
0042 9	1	CONNECTOR	4931436292	4002395252909
0043 10	1	SPRING	4931506540	4058546558543
0050 11	1	WASHER	4931465768	4058546238681
0053 12	1	RATING PLATE	4931506554	4058546558680
0101 13	1	GEAR BOX	4931506542	4058546558567
0104 14	1	ANVIL	4931506682	4058546559960
0105 15	1	GEAR UNIT	4931506544	4058546558581
0107 16	1	BELT CLIP	4931494056	4058546429379
0110 17	1	ARMATURE	4931508342	4058546630041
0120 18	1	HOUSING	4931506547	4058546558611
0702 19	1	INSERT	4931506548	4058546558628