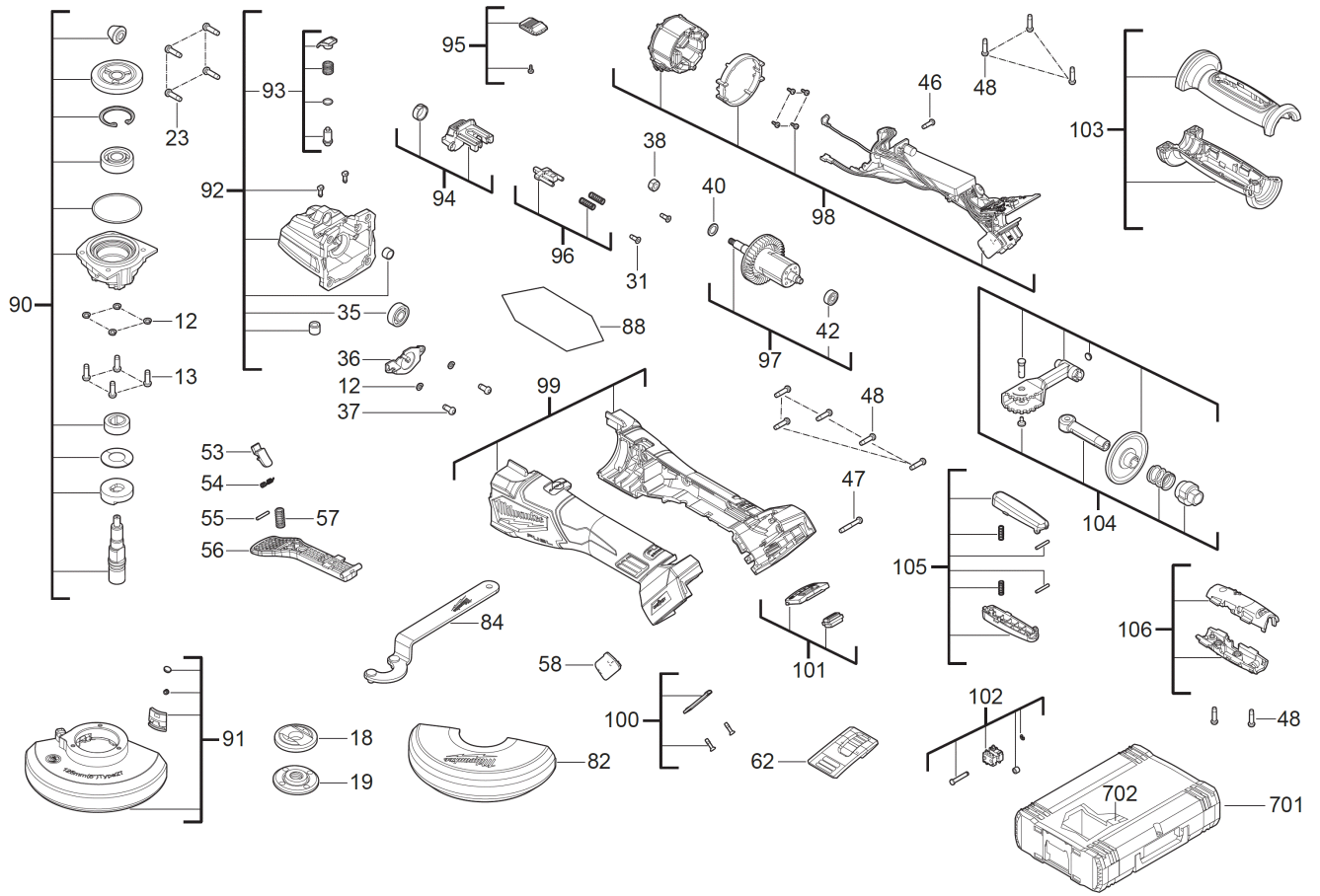


M18FSAGSVO125X-502X M18 FUEL GRINDER IN2

4933493553 - M18FSAGSVO125X-502X - 4000509155





Position	Quantity	Description	Part number	EAN
0012 1	6	PROTECTION WASHER	680866003	4002395823895
0013 2	4	SCREW	4931435150	4002395859948
0018 3	1	FLANGE	4931479268	4058546385835
0019 4	1	FLANGE NUT	4931441309	4002395887699
0023 5	4	SCREW	660024030	4002395826957
0031 6	2	SCREW	4931496281	4058546534189
0035 7	1	BALL BEARING	4931448373	4002395250769
0036 8	1	RETAINER	4931496282	4058546534196
0037 9	2	SCREW	4931473732	4058546356088
0038 10	1	NUT	671686001	4002395824526
0040 11	1	WASHER	4931479270	4058546385859
0042 12	1	BALL BEARING	4931479271	4058546385866
0046 13	1	SCREW	4931436686	4002395258260
0047 14	1	SCREW	4931496283	4058546534202
0048 15	10	SCREW	660031017	4002395825189
0053 16	1	TRIGGER	4931479404	4058546387198
0054 17	1	SPRING	4931496284	4058546534219
0055 18	1	BOLT	4931454155	4002395285693
0056 19	1	TRIGGER	4931496285	4058546534226
0057 20	1	SPRING	4931479407	4058546387228
0058 21	1	ELECTRONIC	4931473905	4058546364731
0062 22	1	COVER	4931496286	4058546534233
0082 23	1	CUTTING GUARD	4931479288	4058546386030
0084 24	1	SPANNER M14	632145002	4002395823727
0088 25	1	RATING PLATE	4931507943	4058546626051
0090 26	1	SPINDLE	4931496288	4058546534257
0091 27	1	GUARD	4931496289	4058546534264
0092 28	1	GEAR CASE	4931496290	4058546534271
0093 29	1	LOCK BOTTON	4931496291	4058546534288
0094 30	1	CONE	4931496292	4058546534295
0095 31	1	SWITCH	4931496293	4058546534301
0096 32	1	SWITCH	4931496294	4058546534318
0097 33	1	ARMATURE	4931496295	4058546534325
0098 34	1	ELECTRONIC	4931496296	4058546534332
0099 35	1	HOUSING	4931496297	4058546534349
0100 36	1	HOUSING CAP	4931496298	4058546534356
0101 37	1	SWITCH	4931496299	4058546534363
0102 38	1	SWITCH ASSEMBLY	4931496300	4058546534370
0103 39	1	HOUSING	4931496301	4058546534387
0104 40	1	HANDLE	4931496302	4058546534394
0105 41	1	SWITCH	4931496303	4058546534400
0106 42	1	INSERT	4931496304	4058546534417
0702 43	1	INSERT	4931496305	4058546534424