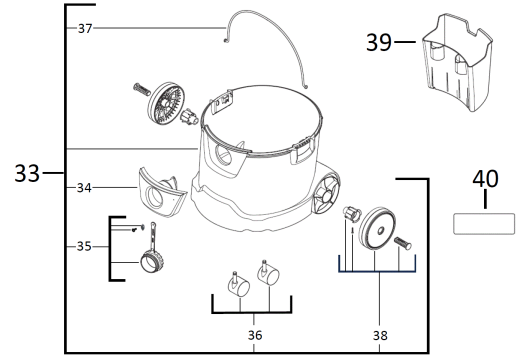
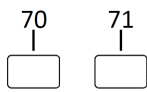
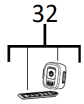
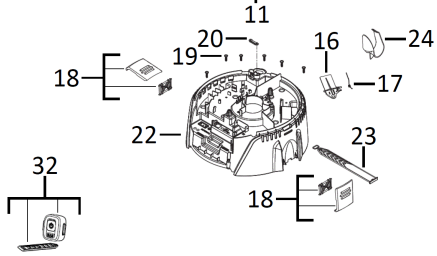
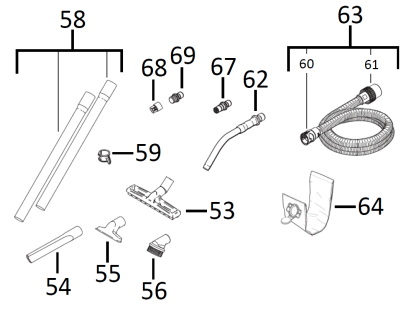
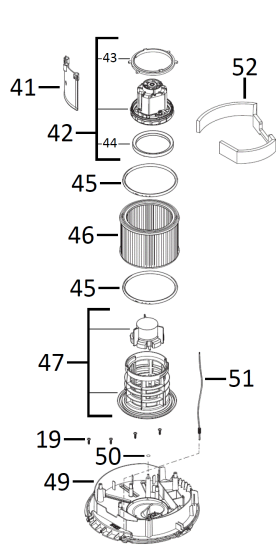
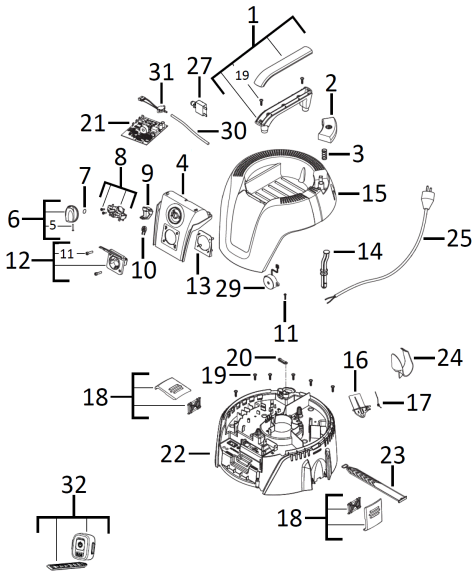


AS2-250EM AC 25L M CLASS VAC IN2

4933493593 - AS2-250EM - 4000503030





Position	Quantity	Description	Part number	EAN
0001 1	1	HANDLE	4931448695	4002395257102
0002 2	1	BUTTON	4931448696	4002395257119
0003 3	1	SPRING	4931506454	4058546557683
0004 4	1	COVER	4931506178	4058546554927
0005 5	1	SCREW	4931416303	4002395797264
0006 6	1	KNOB	4931416119	4002395805389
0007 7	1	RING	4931416304	4002395797271
0008 8	1	SWITCH KIT	4931461823	4058546040567
0009 9	1	COVER	4931461825	4058546040581
0010 10	1	POTENTIOMETER	4931461824	4058546040574
0011 11	3	SCREW	4931448666	4002395258420
0012 12	1	WALL SOCKET	4931416260	4002395796458
0013 13	1	PLUG SOCKET	4931416263	4002395796489
0014 14	1	ROD	4931448702	4002395257171
0015 15	1	HOUSING	4931448698	4002395257133
0016 16	1	BRACKET	4931448678	4002395255740
0017 17	1	SPRING ELEMENT	4931416271	4002395796564
0018 18	2	CLAMP	4931448673	4002395258499
0019 19	14	SCREW	4931448663	4002395261819
0020 20	1	STRAP	4931506455	4058546557690
0021 21	1	ELECTRONIC	4931508193	4058546628550
0022 22	1	CLAMPING PLATE	4931508194	4058546628567
0023 23	1	STRAP	4931448703	4002395257188
0024 24	1	HOOK	4931506180	4058546554941
0025 25	1	POWER CORD	4931508195	4058546628574
0027 26	1	SWITCH	4931506181	4058546554958
0029 27	1	GAUGE	4931461874	4058546229740
0030 28	1	HOSE	4931506182	4058546554965
0031 29	1	PRESSURE SENSOR	4931506183	4058546554972
0032 30	1	REMOTE DIAL	4931503046	4058546541507
0033 31	1	TANK	4931508196	4058546628581
0034 32	1	COVER	4931506184	4058546554989
0035 33	1	PLUG	4931506185	4058546554996
0036 34	1	SET WHEEL	4931448688	4002395256440
0037 35	1	HANDLE	4931506186	4058546555009
0038 36	1	WHEEL	4931508197	4058546628598
0039 37	1	TANK	4931506187	4058546555016
0040 38	1	ADHESIVE LABEL	4931461877	4058546229771
0041 39	1	COVER	4931506188	4058546555023
0042 40	1	MOTOR	4931506189	4058546555030
0043 41	1	SEALING SLEEVE	4931506190	4058546555047
0044 42	1	SEALING SLEEVE	4931506191	4058546555054
0045 43	2	SEALING SLEEVE	4931506192	4058546555061
0046 44	1	FILTER CARTRIDGE FILTER CARTDGE P1AM	4932352304	4002395369638
0047 45	1	AIR FILTER HOUSING	4931506200	4058546555146
0049 46	1	BASE PLATE	4931506193	4058546555078
0050 47	1	RING	4931506194	4058546555085
0051 48	1	SPRING	4931506195	4058546555092
0052 49	1	FOAM	4931506196	4058546555108
0053 50	1	FLOOR TOOL	4931448691	4002395256471

Position	Quantity	Description	Part number	EAN
0054 51	1	NOZZLE	4931416284	4002395797097
0055 52	1	NOZZLE	4931416283	4002395797080
0056 53	1	BRUSH	4931506197	4058546555115
0058 54	1	TUBE	4931506198	4058546555122
0059 55	1	HOLDER	4931448689	4002395256457
0060 56	1	ADAPTER	4931461862	4058546229627
0061 57	1	MUFF	4931416458	4002395847167
0062 58	1	TUBE	4931416166	4002395805495
0063 59	1	SUCTION HOSE	4931461861	4058546229610
0064 60	1	FILTER (CLOTH) FILTER BAG 5 PC P5AM	4932352306	4002395369652
0067 61	1	MUFF	4931416173	4002395805501
0068 62	1	CONNECTOR	4931447294	4002395251490
0069 63	1	ADAPTOR / CONNECTOR	4931463999	4058546270490
0070 64	1	RATING PLATE	4931507696	4058546602079
0071 65	1	LABEL	4931503037	4058546625658