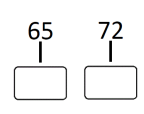
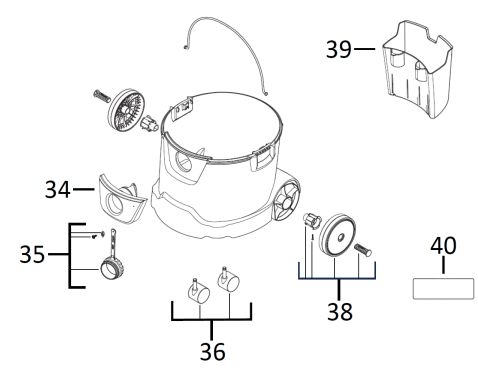
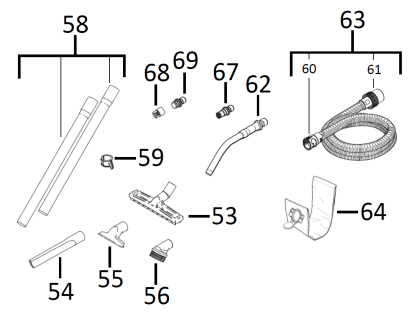
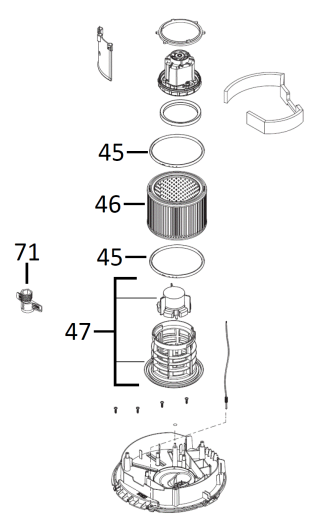
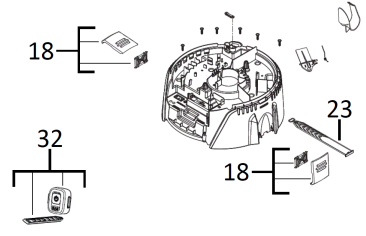
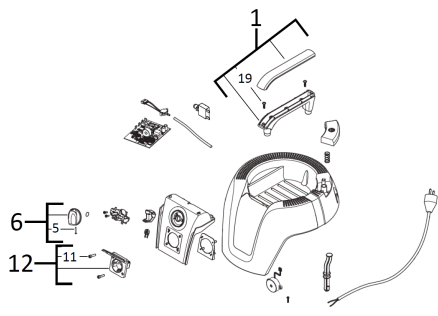


AS2-250EH AC 25L H CLASS VAC IN2

4933493595 - AS2-250EH - 4000503050





Position	Quantity	Description	Part number	EAN
0001 1	1	HANDLE	4931448695	4002395257102
0005 2	1	SCREW	4931416303	4002395797264
0006 3	1	KNOB	4931416119	4002395805389
0011 4	3	SCREW	4931448666	4002395258420
0012 5	1	WALL SOCKET	4931416260	4002395796458
0018 6	2	CLAMP	4931448673	4002395258499
0019 7	14	SCREW	4931448663	4002395261819
0032 8	1	REMOTE DIAL	4931503046	4058546541507
0034 9	1	COVER	4931506184	4058546554989
0035 10	1	PLUG	4931506185	4058546554996
0036 11	1	SET WHEEL	4931448688	4002395256440
0038 12	1	WHEEL	4931508197	4058546628598
0039 13	1	TANK	4931506187	4058546555016
0040 14	1	LABEL	4931503057	4058546638801
0045 15	2	SEALING SLEEVE	4931506192	4058546555061
0047 16	1	FILTER	4931508199	4058546628611
0053 17	1	FLOOR TOOL	4931448691	4002395256471
0054 18	1	NOZZLE	4931416284	4002395797097
0055 19	1	NOZZLE	4931416283	4002395797080
0056 20	1	BRUSH	4931506197	4058546555115
0058 21	1	TUBE	4931506198	4058546555122
0059 22	1	HOLDER	4931448689	4002395256457
0060 23	1	ADAPTER	4931461862	4058546229627
0061 24	1	MUFF	4931416458	4002395847167
0062 25	1	ADAPTER	4931416166	4002395805495
0063 26	1	SUCTION HOSE	4931461861	4058546229610
0064 27	1	FILTER (CLOTH) FILTER BAG 5 PC P5AM	4932352306	4002395369652
0065 28	1	RATING PLATE	4931507698	4058546602093
0067 29	1	MUFF	4931416173	4002395805501
0068 30	1	CONNECTOR	4931447294	4002395251490
0069 31	1	ADAPTOR / CONNECTOR	4931463999	4058546270490
0071 32	1	WRENCH	4931506199	4058546555139
0072 33	1	LABEL	4931503056	4058546625665