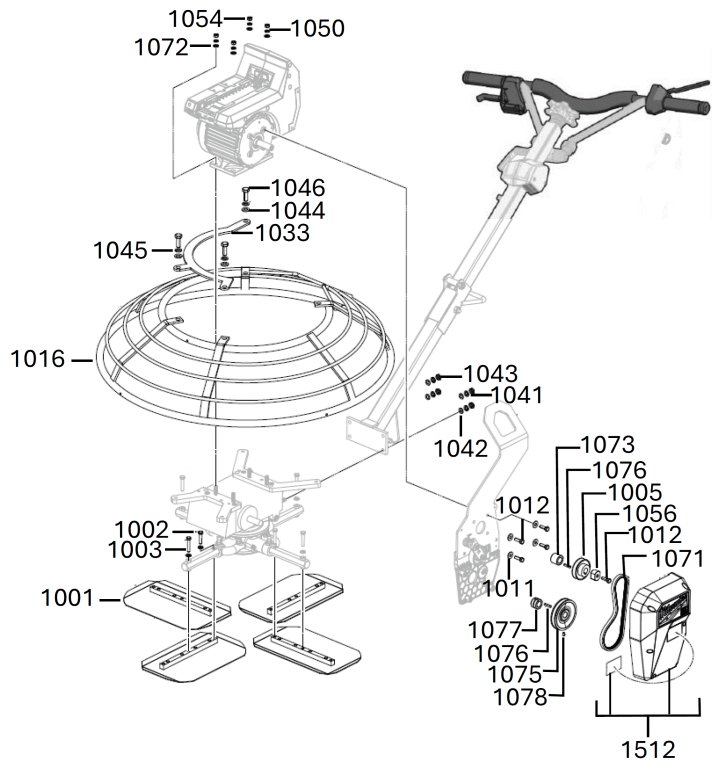
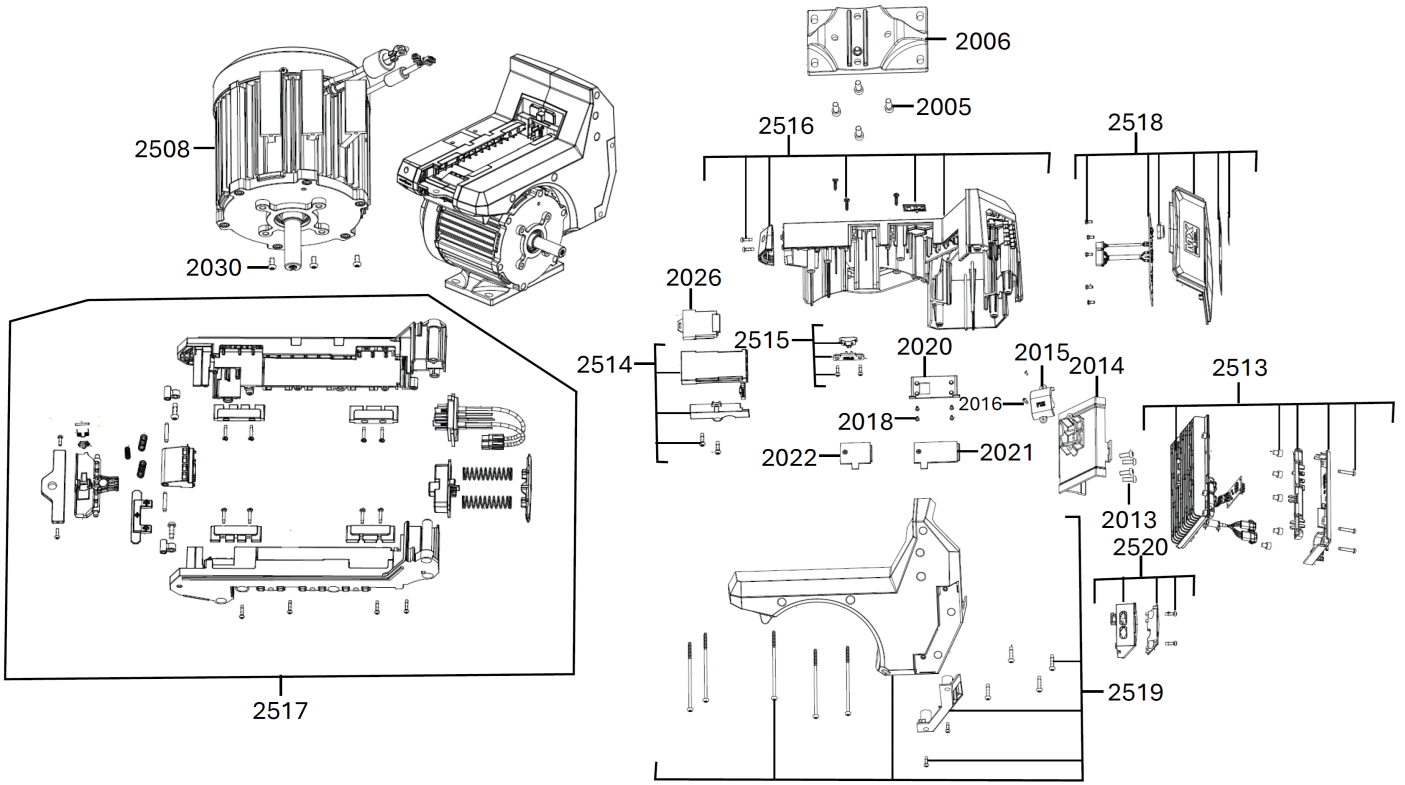


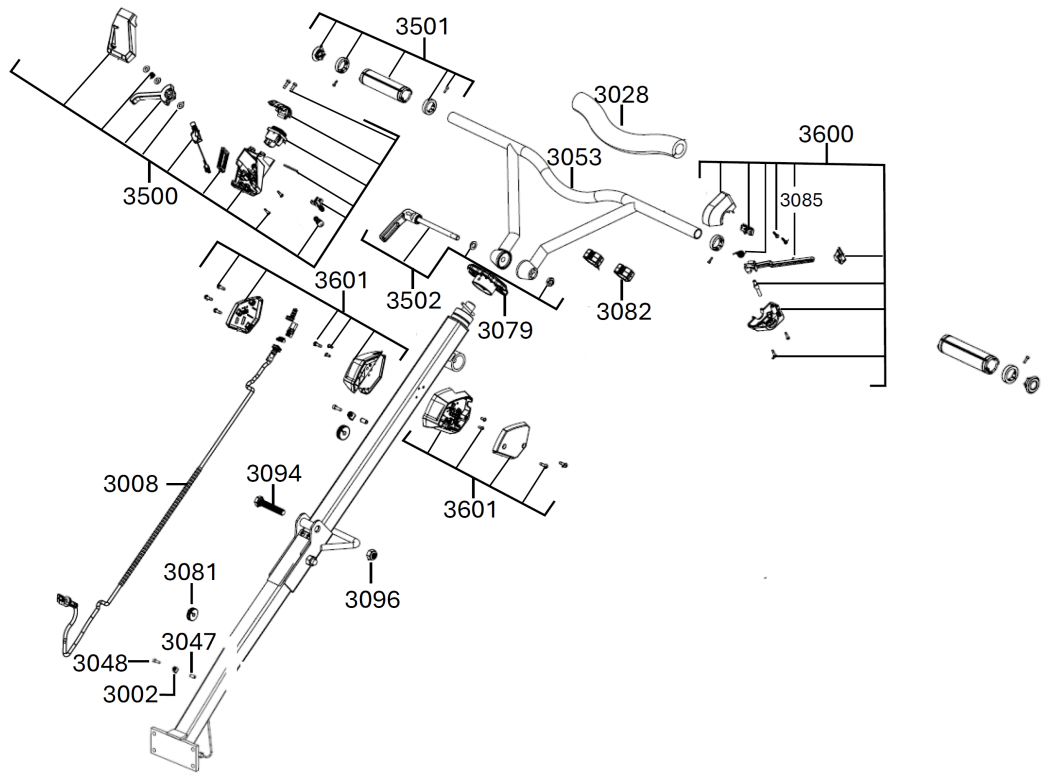
# MXFWBT90-122 WALK BEHIND TROWEL IN2

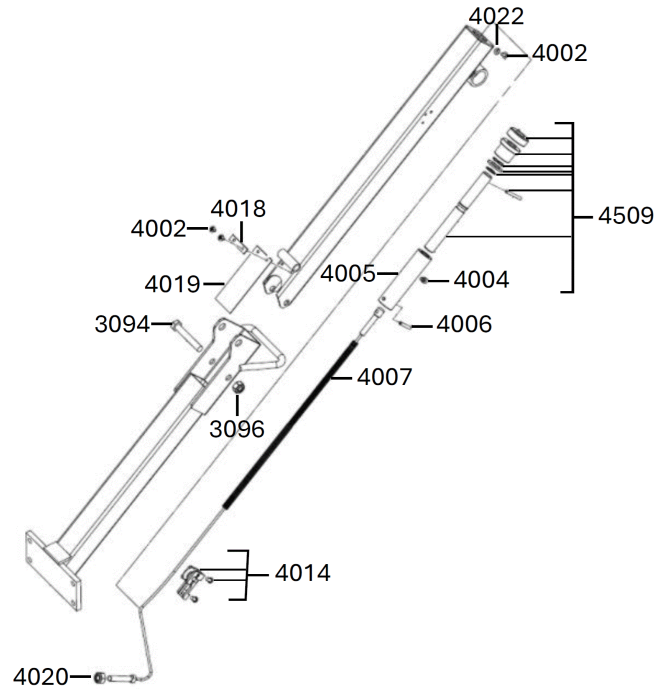
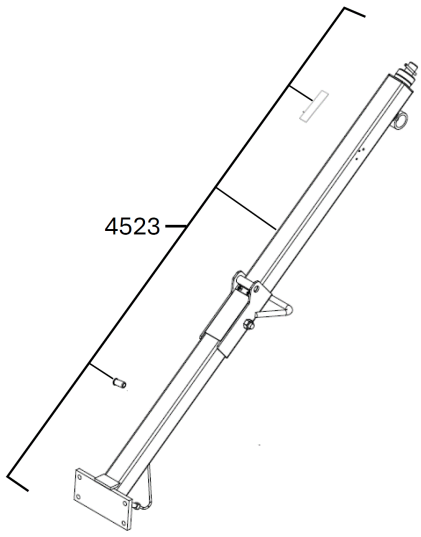
4933493602 - MXFWBT90-122 - 4000503410

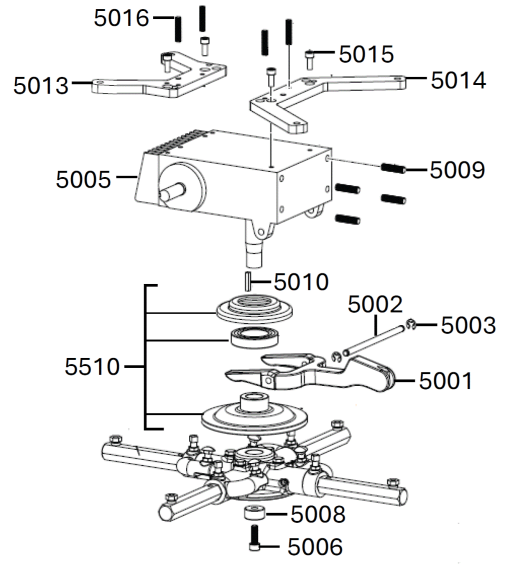
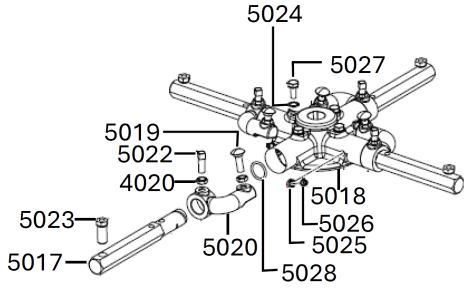
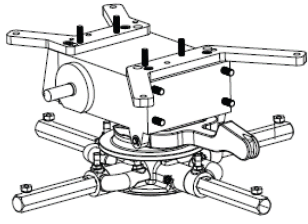


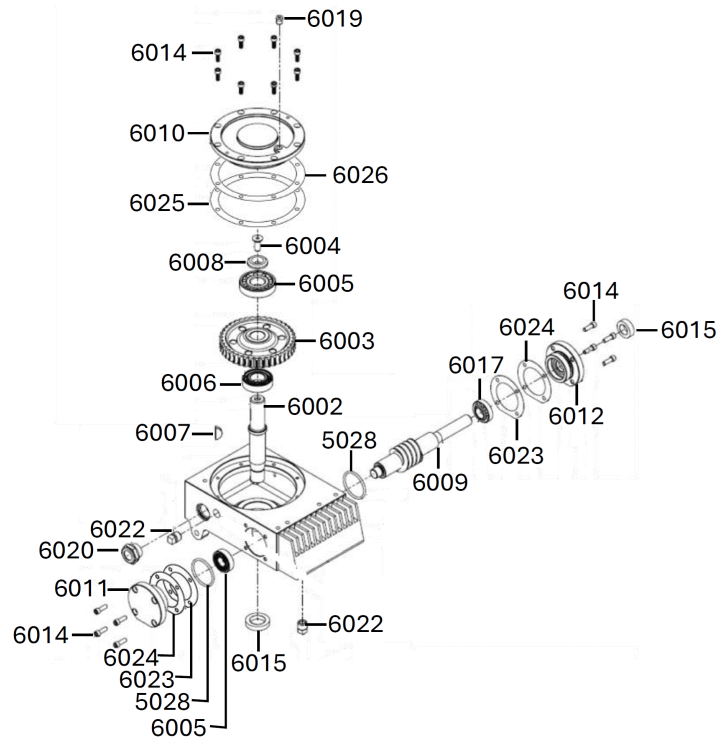


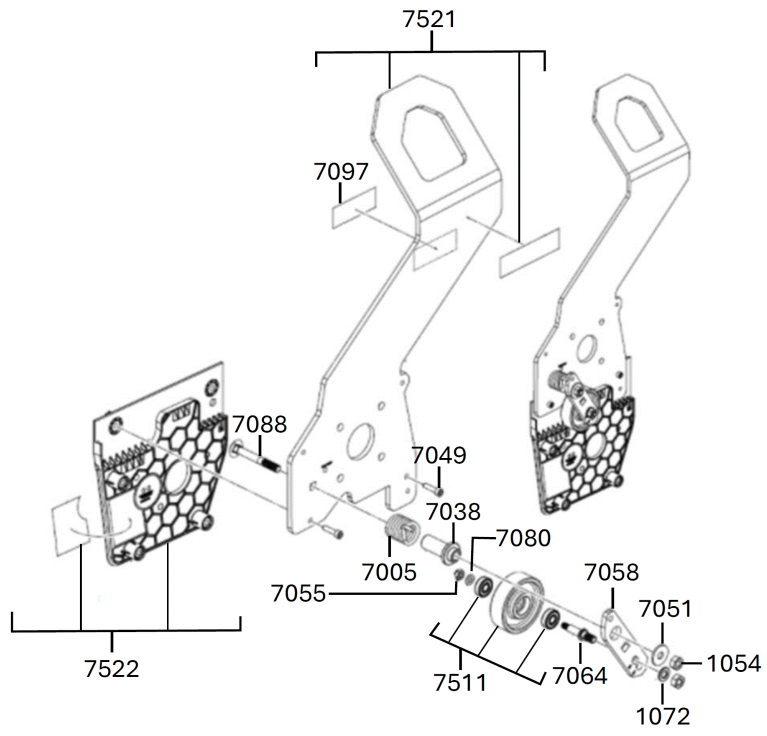












Position	Quantity	Description	Part number	EAN
1001 1	1	MXFWBT90 900mm Trowel Blades 4 pcs Set	4932498920	4058546527891
1002 2	4	SCREW	4931507397	4058546599089
1003 3	4	SCREW	4931507398	4058546599096
1005 4	1	PULLEY	4931507399	4058546599102
1011 5	4	WASHER	4931507276	4058546597870
1012 6	5	BOLT	4931507277	4058546597887
1016 7	1	RING	4931507400	4058546599119
1033 8	1	GUARD	4931507401	4058546599126
1041 9	4	WASHER	4931507278	4058546597894
1042 10	4	WASHER	4931507279	4058546597900
1043 11	4	NUT	4931507280	4058546597917
1044 12	4	WASHER	4931507402	4058546599133
1045 13	4	WASHER	4931507403	4058546599140
1046 14	4	SCREW	4931507404	4058546599157
1050 15	4	WASHER	4931507281	4058546597924
1054 16	8	NUT	4931507282	4058546597931
1056 17	1	SPACER	4931507283	4058546597948
1071 18	1	BELT	4931507405	4058546599164
1072 19	5	WASHER	4931494491	4058546470630
1073 20	1	SPACER	4931507406	4058546599171
1075 21	1	PULLEY	4931507275	4058546597863
1076 22	1	KEY	4931507289	4058546598006
1077 23	1	SPACER	4931507407	4058546599188
1078 24	1	SCREW	4931507284	4058546597955
1512 25	1	GUARD	4931507290	4058546598013
2005 26	4	SCREW	4931507291	4058546598020
2006 27	1	MOUNTING BRACKET	4931507292	4058546598037
2013 28	4	SCREW	4931507293	4058546598044
2014 29	1	HOLDER	4931507294	4058546598051
2015 30	1	COVER	4931507295	4058546598068
2016 31	2	SCREW	4931507296	4058546598075
2018 32	4	SCREW	4931507297	4058546598082
2020 33	1	SUPPORT BRACKET	4931507298	4058546598099
2021 34	1	COVER	4931507299	4058546598105
2022 35	1	COVER	4931507300	4058546598112
2026 36	1	INSERT CARD	4931496713	4058546538507
2030 37	3	SCREW	4931507301	4058546598129
2508 38	1	MOTOR	4931507302	4058546598136
2513 39	1	ELECTRONIC	4931507303	4058546598143
2514 40	1	INSERT CARD	4931507304	4058546598150
2515 41	1	BATTERY BOX	4931507305	4058546598167
2516 42	1	HOUSING	4931507306	4058546598174
2517 43	1	GUIDE RAIL	4931507307	4058546598181
2518 44	1	CONTROL PANEL KIT	4931507308	4058546598198
2519 45	1	HOUSING	4931507309	4058546598204
2520 46	1	COVER	4931507310	4058546598211
3002 47	2	CABLE JOINT	4931507311	4058546598228
3008 48	1	WIRE	4931507312	4058546598235
3028 49	1	CROSS BRACKET	4931507313	4058546598242
3047 50	2	NUT	4931507408	4058546599195

Position	Quantity	Description	Part number	EAN
3048 51	2	SCREW	4931507314	4058546598259
3053 52	1	HANDLE BAR	4931507315	4058546598266
3079 53	1	KNOB	4931507316	4058546598273
3081 54	2	WIRE	4931507317	4058546598280
3082 55	2	CLIP	4931507318	4058546598297
3085 56	1	SWITCH LEVER	4931507319	4058546598303
3094 57	2	SCREW	4931507320	4058546598310
3096 58	2	NUT	4931507321	4058546598327
3500 59	1	SERVICE-KIT	4931507322	4058546598334
3501 60	2	HANDLE SET	Item discontinued(4931494539)	
3502 61	1	LEVER	4931507323	4058546598341
3600 62	1	SWITCH	4931507324	4058546598358
3601 63	1	SWITCH KIT	4931507325	4058546598365
4002 64	3	SCREW	4931507326	4058546598372
4004 65	1	SCREW	4931507327	4058546598389
4005 66	1	BUSHING	4931507409	4058546599201
4006 67	1	PIN	4931507329	4058546598402
4007 68	1	SPRING	4931507410	4058546599218
4014 69	1	PULLEY	4931507411	4058546599225
4018 70	1	BRACKET	4931507412	4058546599232
4019 71	1	CROSS BRACKET	4931507413	4058546599249
4020 72	9	NUT	4931507335	4058546598464
4022 73	1	WASHER	4931507334	4058546598457
4509 74	1	KNOB	4931507414	4058546599256
4523 75	1	TUBE	4931507415	4058546599263
5001 76	1	INTERMEDIATE LEVER	4931507416	4058546599270
5002 77	1	PIN	4931507417	4058546599287
5003 78	2	RETAINING RING	4931507418	4058546599294
5005 79	1	GEAR BOX KIT	4931507419	4058546599300
5006 80	1	SCREW	4931507420	4058546599317
5008 81	1	PLATE	4931507421	4058546599324
5009 82	4	STUD	4931507422	4058546599331
5010 83	1	KEY	4931507423	4058546599348
5013 84	1	GUIDE RAIL	4931507424	4058546599355
5014 85	1	GUIDE RAIL	4931507425	4058546599362
5015 86	4	SCREW	4931507426	4058546599379
5016 87	4	STUD	4931507427	4058546599386
5017 88	4	INTERMEDIATE LEVER	4931507428	4058546599393
5018 89	1	PLATE	4931507429	4058546599409
5019 90	4	SCREW	4931507430	4058546599416
5020 91	4	LEVER	4931507431	4058546599423
5022 92	4	SCREW	4931507432	4058546599430
5023 93	4	SCREW	4931507433	4058546599447
5024 94	4	WASHER	4931507434	4058546599454
5025 95	4	HOLDING BRACKET	4931507435	4058546599461
5026 96	4	CAP	4931507436	4058546599478
5027 97	4	SCREW	4931507437	4058546599485
5028 98	6	O-RING	4931507438	4058546599492
5510 99	1	PLATE	4931507439	4058546599508
6002 100	1	SHAFT	4931507440	4058546599515

Position	Quantity	Description	Part number	EAN
6003 101	1	GEAR	4931507441	4058546599522
6004 102	1	SCREW	4931507442	4058546599539
6005 103	2	SHAFT	4931507360	4058546598716
6007 104	1	KEY	4931507443	4058546599546
6008 105	1	WASHER	4931507444	4058546599553
6009 106	1	SHAFT	4931507445	4058546599560
6010 107	1	GEAR BOX HOUSING	4931507446	4058546599577
6011 108	1	CAP	4931507447	4058546599584
6012 109	1	FLANGE	4931507448	4058546599591
6014 110	16	SCREW	4931507449	4058546599607
6015 111	2	SEAL	4931507450	4058546599614
6017 112	1	BEARING	4931507451	4058546599621
6019 113	1	VALVE	4931507452	4058546599638
6020 114	1	PLUG	4931507453	4058546599645
6022 115	2	PLUG	4931507454	4058546599652
6023 116	2	GASKET	4931507455	4058546599669
6024 117	2	GASKET	4931507456	4058546599676
6025 118	1	GASKET	4931507457	4058546599683
6026 119	1	GASKET	4931507458	4058546599690
7005 120	1	SPRING	4931507384	4058546598952
7038 121	1	SPACER	4931507385	4058546598969
7049 122	2	SCREW	4931507386	4058546598976
7051 123	1	WASHER	4931507387	4058546598983
7055 124	1	NUT	4931507388	4058546598990
7058 125	1	PLATE	4931507389	4058546599003
7064 126	1	SHAFT	4931507390	4058546599010
7080 127	1	WASHER	4931507391	4058546599027
7088 128	1	SCREW	4931507392	4058546599034
7097 129	1	RATING PLATE	4931507393	4058546599041
7511 130	1	PULLEY	4931507394	4058546599058
7521 131	1	FRAME	4931507459	4058546599706
7522 132	1	GUARD	4931507460	4058546599713