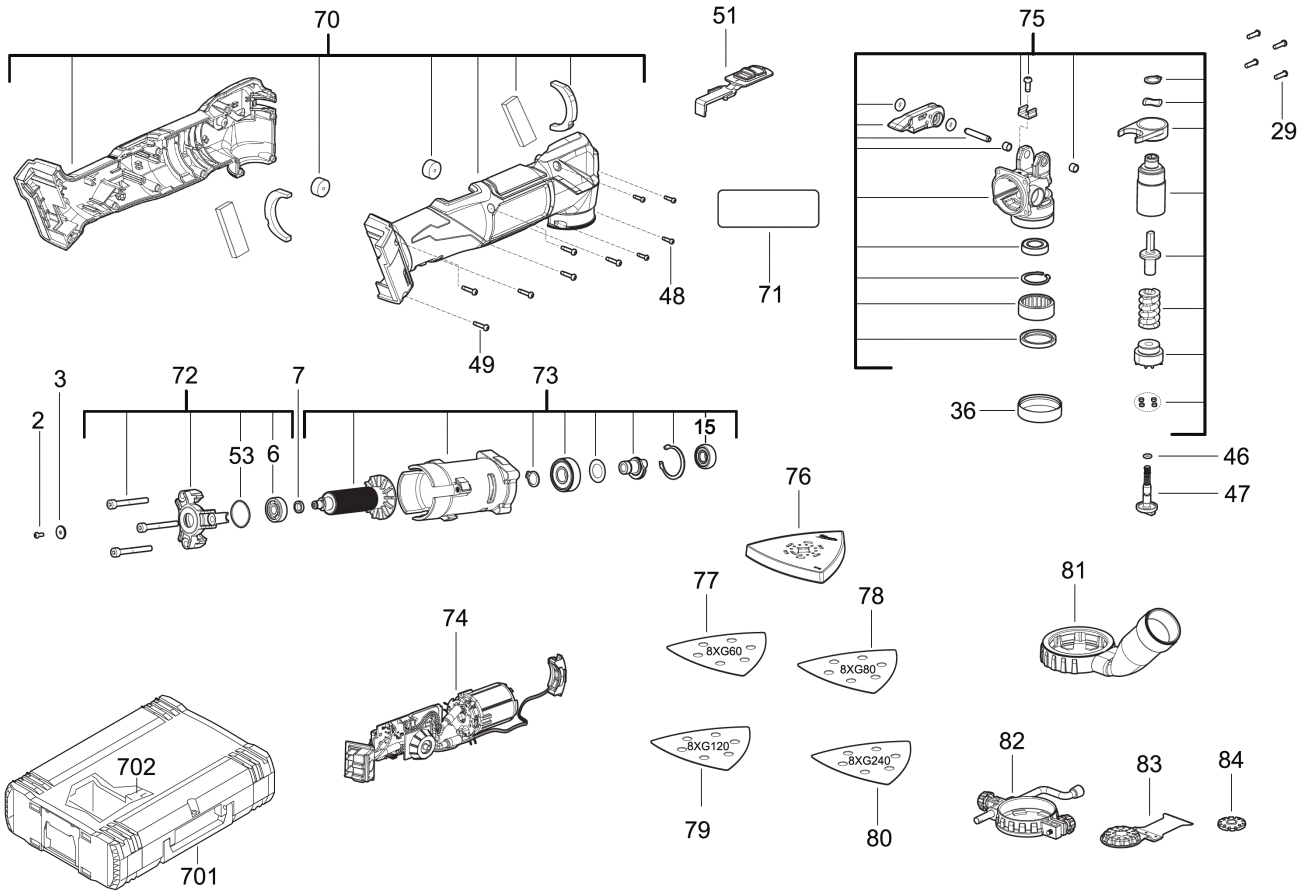


M18FMT-0 FUEL M18 MULTITOOl XXX

4933498065 - M18FMT-0 - 4000483338



| Position | Quantity | Description | Part number | EAN |
|----------|----------|----------------------------------|-----------------------------|---------------|
| 0002 1 | 1 | SCREW | 4931465506 | 4058546236069 |
| 0003 2 | 1 | WASHER | 4931473916 | 4058546364847 |
| 0006 3 | 1 | BALL BEARING | 4931473917 | 4058546364854 |
| 0007 4 | 1 | BUSH | 4931473918 | 4058546364861 |
| 0015 5 | 1 | BALL BEARING | 4931506971 | 4058546594824 |
| 0029 6 | 4 | SCREW | 4931465883 | 4058546239831 |
| 0036 7 | 1 | RUBBER SLEEVE | 4931473919 | 4058546364878 |
| 0046 8 | 1 | O-RING | 4931473392 | 4058546352684 |
| 0047 9 | 1 | FASTENING BOLT | 4931473393 | 4058546352691 |
| 0048 10 | 4 | SCREW | 4931447534 | 4002395882823 |
| 0049 11 | 6 | SCREW | 660570005 | 4002395827329 |
| 0051 12 | 1 | SLIDE | 4931473920 | 4058546364885 |
| 0053 13 | 1 | O-RING | 4931473921 | 4058546364892 |
| 0070 14 | 1 | HOUSING | 4931495793 | 4058546494612 |
| 0071 15 | 1 | RATING PLATE | 4931479356 | 4058546386719 |
| 0072 16 | 1 | MOTOR PLATE | 4931473924 | 4058546364922 |
| 0073 17 | 1 | MOTOR ASSEMBLY | 4931473925 | 4058546364939 |
| 0074 18 | 1 | ELECTRONIC | 4931473926 | 4058546364946 |
| 0075 19 | 1 | GEAR CASE | 4931473927 | 4058546364953 |
| 0076 20 | 1 | GRINDING DISK | 4931447574 | 4002395882960 |
| 0077 21 | 1 | Sand Paper D HL 93x93/6 G60-8pc | 48902060 | 45242349166 |
| 0078 22 | 1 | Sand Paper D HL 93x93/6 G80-8pc | Item discontinued(48902080) | |
| 0079 23 | 1 | Sand Paper D HL 93x93/6 G120-8pc | 48902120 | 45242349135 |
| 0080 24 | 1 | Sand Paper D HL 93x93/6 G240-8pc | Item discontinued(48902240) | |
| 0081 25 | 1 | DUST EXTR.CONNECTOR | 4931473396 | 4058546352721 |
| 0082 26 | 1 | DEPTH GAUGE | 4931473397 | 4058546352738 |
| 0083 27 | 1 | BLADE | 4931473395 | 4058546352714 |
| 0084 28 | 1 | ADAPTER DISC | 4931473394 | 4058546352707 |
| 0702 29 | 1 | INSERT | 4931473928 | 4058546364960 |