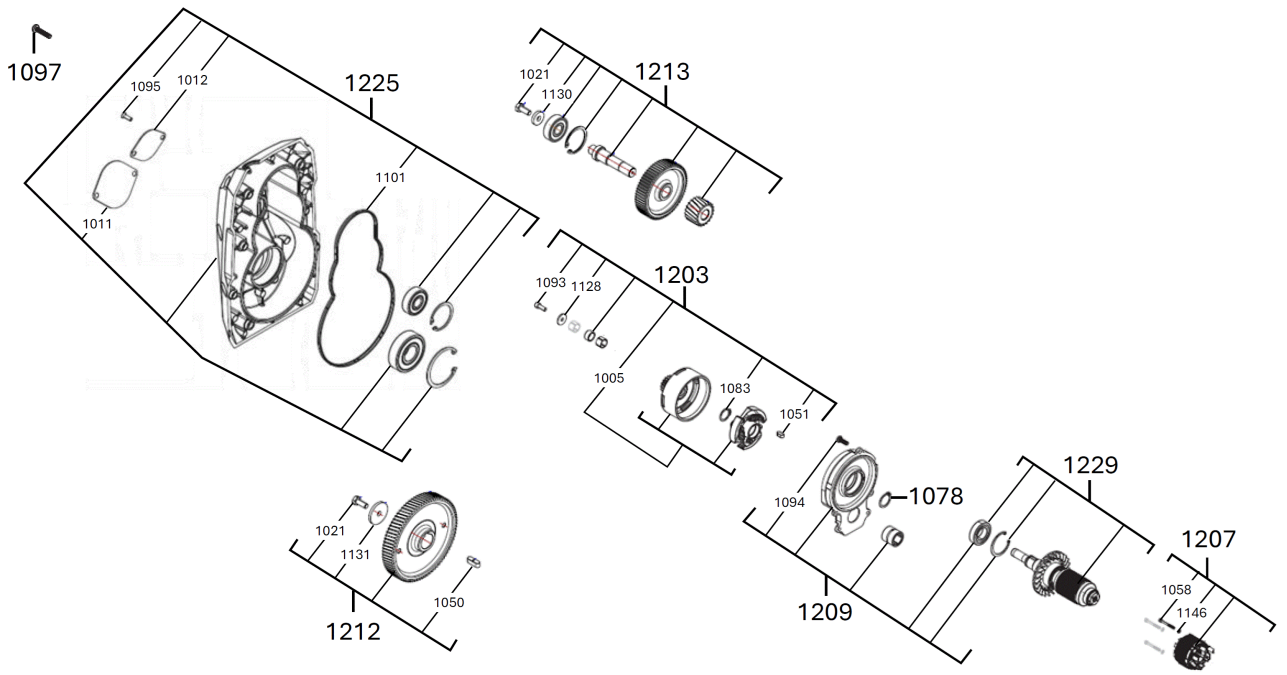
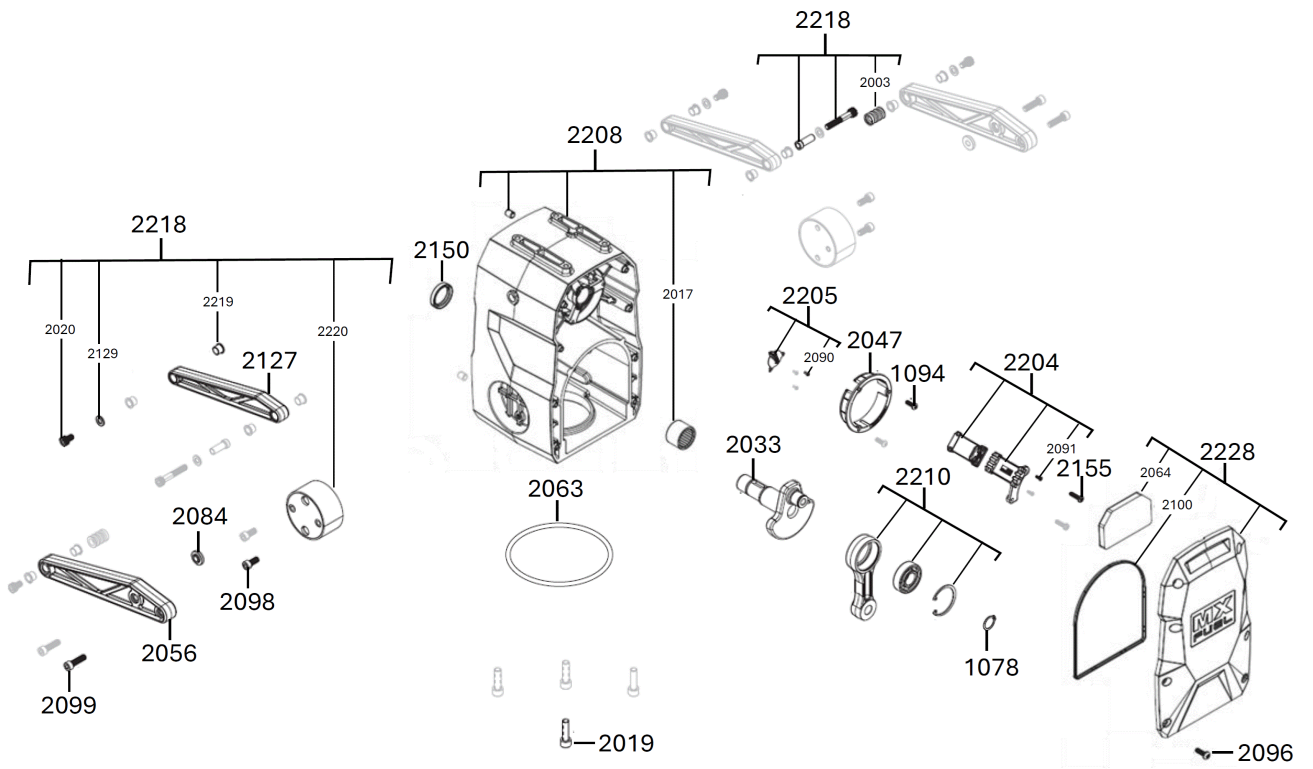


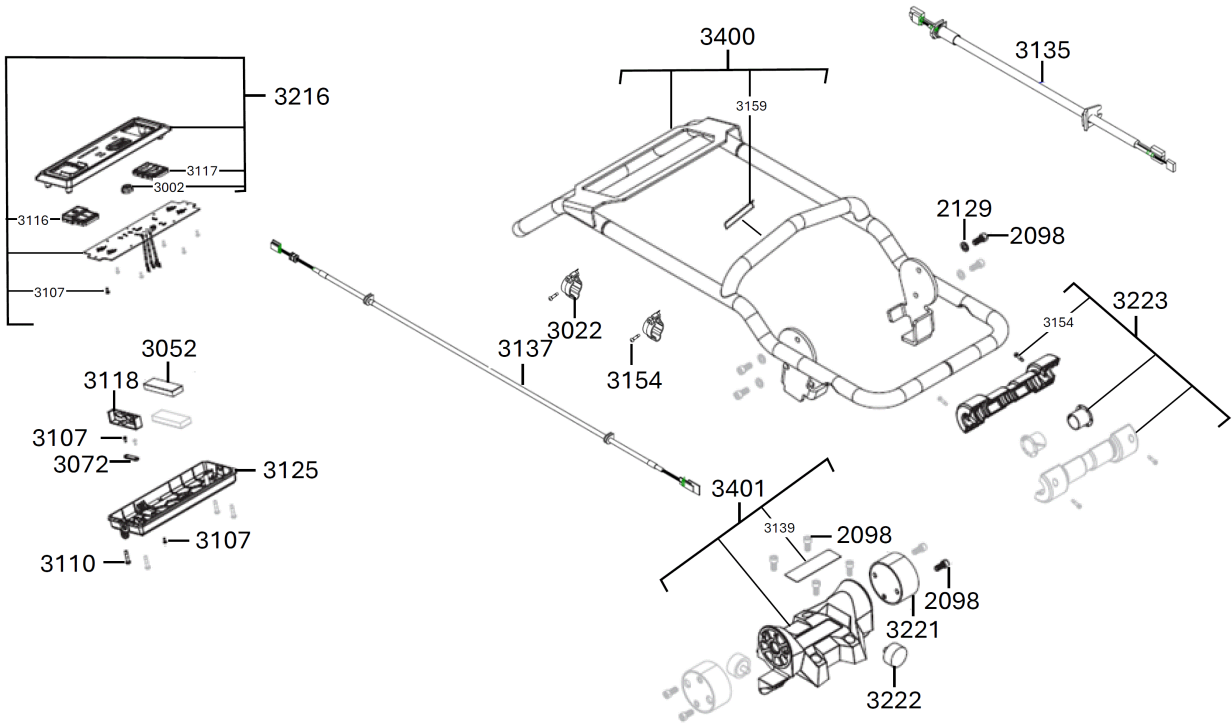
MXFRAM60-0 MX FUEL RAMMER XXX

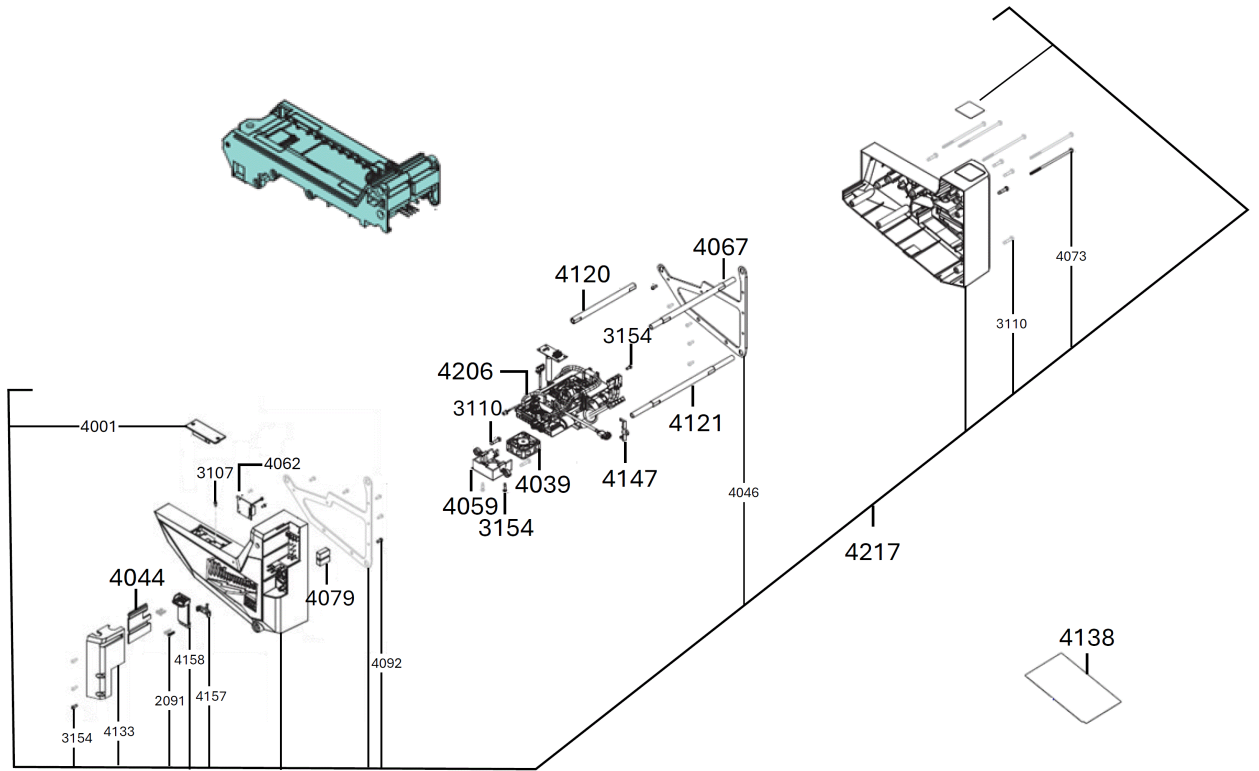
4933498158 - MXFRAM60-0 - 4000503660

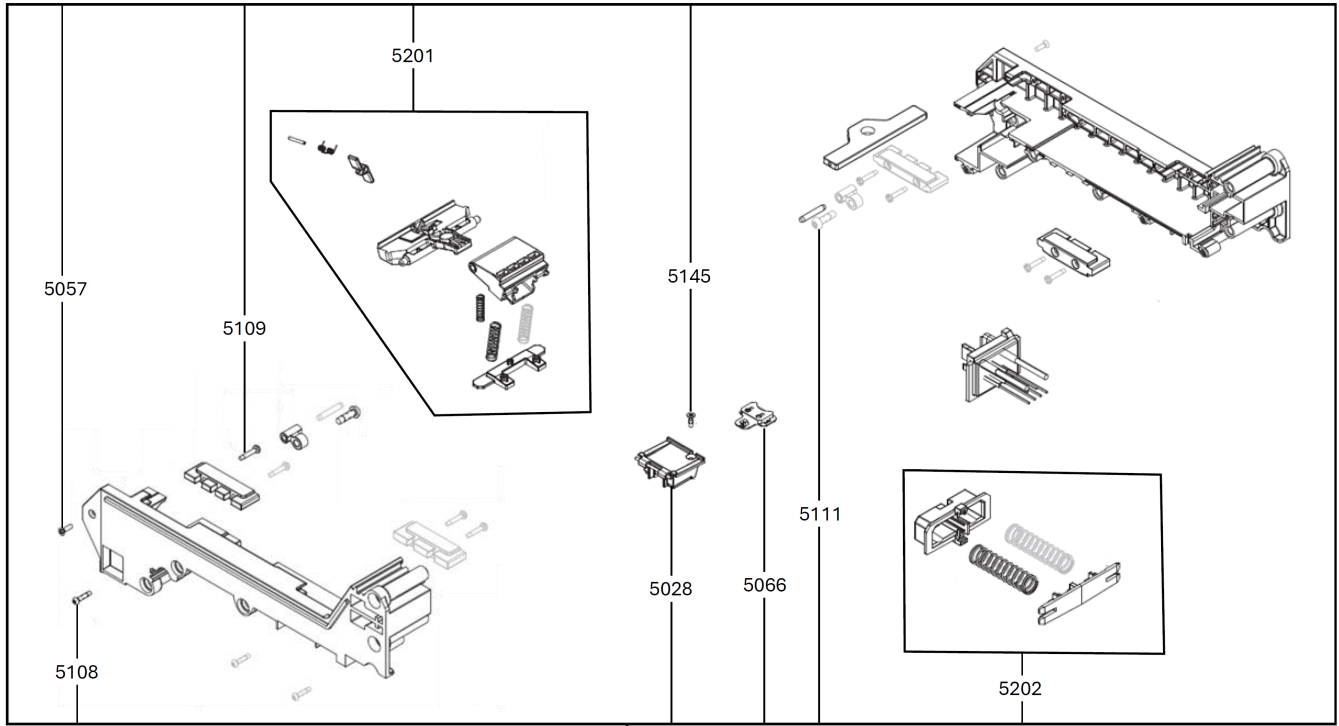




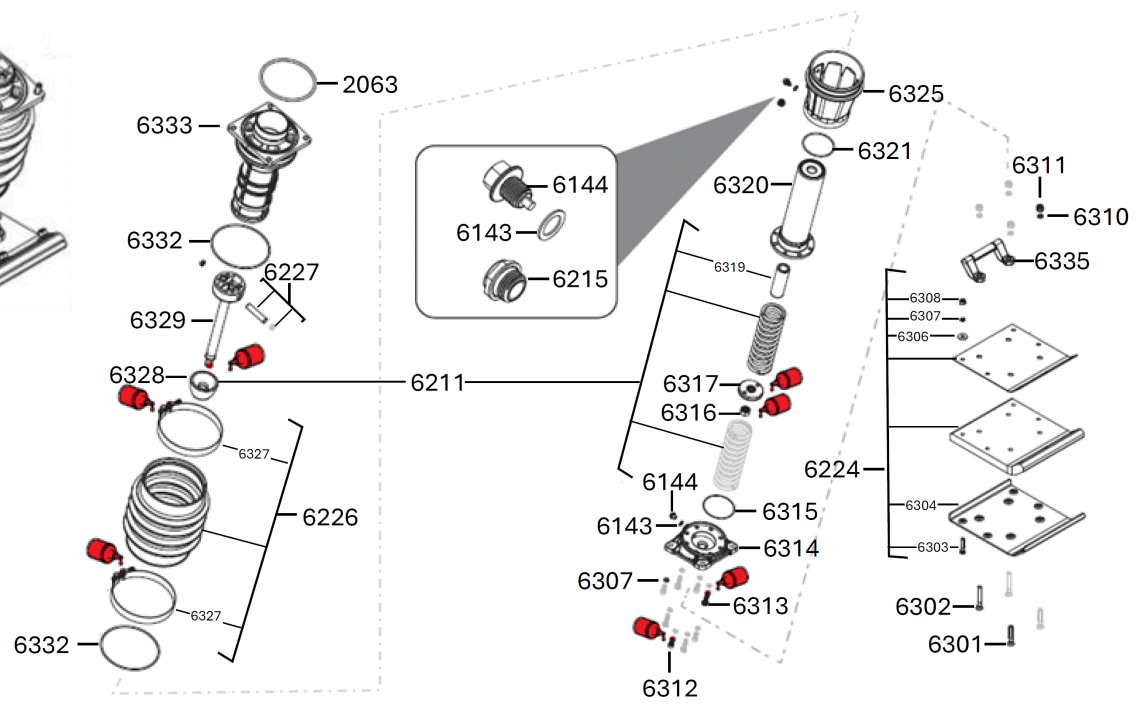
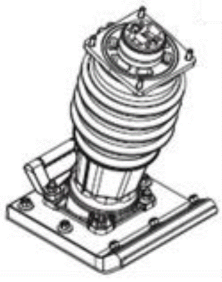








5200



Position	Quantity	Description	Part number	EAN
1005 1	1	CLUTCH	4931508768	4058546634308
1011 2	1	CRANKSHAFT	4931508769	4058546634315
1012 3	1	COVER	4931508770	4058546634322
1021 4	2	SCREW	4931508771	4058546634339
1050 5	1	SCREW	4931508772	4058546634346
1051 6	1	SCREW	4931508773	4058546634353
1058 7	3	SCREW	4931479984	4058546397470
1078 8	2	RING	4931508774	4058546634360
1083 9	1	RETAINING RING	4931508775	4058546634377
1093 10	1	SCREW	4931508776	4058546634384
1094 11	7	SCREW	4931508777	4058546634391
1095 12	4	SCREW	4931508778	4058546634407
1097 13	8	SCREW	4931508779	4058546634414
1101 14	1	SEAL	4931508780	4058546634421
1128 15	1	WASHER	4931508781	4058546634438
1130 16	1	WASHER	4931508782	4058546634445
1131 17	1	WASHER	4931508783	4058546634452
1146 18	3	WASHER	4931506705	4058546560195
1203 19	1	CLUTCH	4931508784	4058546634469
1207 20	1	STATOR	4931508785	4058546634476
1209 21	1	SHAFT	4931508786	4058546634483
1212 22	1	GEAR UNIT	4931508787	4058546634490
1213 23	1	SHAFT	4931508788	4058546634506
1225 24	1	COVER	4931508789	4058546634513
1229 25	1	ROTOR	4931508790	4058546634520
2003 26	2	RUBBER BUMPER	4931508791	4058546634537
2017 27	1	BEARING NEEDLE	4931508792	4058546634544
2019 28	4	SCREW	4931508793	4058546634551
2020 29	4	SCREW	4931508794	4058546634568
2033 30	1	CRANK ASSEMBLY	4931508795	4058546634575
2047 31	1	RING	4931508796	4058546634582
2056 32	2	BRACKET	4931508797	4058546634599
2063 33	1	RING	4931508798	4058546634605
2064 34	1	FOAM	4931508799	4058546634612
2084 35	2	SPACER	4931508800	4058546634629
2090 36	3	SCREW	4931508801	4058546634636
2091 37	8	SCREW	4931494501	4058546470739
2096 38	8	SCREW	4931508802	4058546634643
2098 39	16	SCREW	4931508803	4058546634650
2099 40	4	SCREW	4931508804	4058546634667
2100 41	1	SEAL	4931508805	4058546634674
2127 42	2	BRACKET	4931508806	4058546634681
2129 43	8	WASHER	4931494491	4058546470630
2150 44	1	SEAL	4931508807	4058546634698
2155 45	2	SCREW	4931508808	4058546634704
2204 46	1	HOLDER	4931508809	4058546634711
2205 47	1	SWITCH BOARD	4931508810	4058546634728
2208 48	1	CRANKCASE	4931508811	4058546634735
2210 49	1	CONNECTING ROD	4931508812	4058546634742
2218 50	1	PIVOT	4931508813	4058546634759

Position	Quantity	Description	Part number	EAN
2219 51	1	BUSHING	4931508814	4058546634766
2220 52	1	HOUSING	4931508815	4058546634773
2228 53	1	COVER	4931508816	4058546634780
3002 54	1	BUTTON	4931480607	4058546426224
3022 55	2	CABLE CLIP	4931508817	4058546634797
3052 56	2	HOUSING	4931508818	4058546634803
3072 57	1	CABLE CLAMP	4931508819	4058546634810
3107 58	12	SCREW	4931508820	4058546634827
3110 59	11	SCREW	4931480574	4058546425890
3116 60	1	SWITCH ON-OFF	4931508821	4058546634834
3117 61	1	SWITCH ASSEMBLY	4931508822	4058546634841
3118 62	1	SUPPORT	4931508823	4058546634858
3125 63	1	SUPPORT	4931508824	4058546634865
3135 64	1	WIRE	4931508825	4058546634872
3137 65	1	CABLE	4931508826	4058546634889
3139 66	1	LABEL	4931508827	4058546634896
3154 67	12	SCREW	4931508364	4058546630263
3159 68	1	LABEL	4931508828	4058546634902
3216 69	1	COVER	4931508829	4058546634919
3221 70	1	ISOLATION	4931508830	4058546634926
3222 71	1	RUBBER BUMPER	4931508831	4058546634933
3223 72	1	HANDLE SET	4931508832	4058546634940
3400 73	1	HANDLE	4931508833	4058546634957
3401 74	1	T-HANDLE	4931508834	4058546634964
4001 75	1	COVER	4931508835	4058546634971
4039 76	1	FAN	4931508836	4058546634988
4044 77	1	RUBBER BUMPER	4931508837	4058546634995
4046 78	2	HOUSING	4931508838	4058546635008
4059 79	1	BRACKET	4931508839	4058546635015
4062 80	1	PRINTED CIRC. BOARD	4931508840	4058546635022
4067 81	1	ROD	4931508841	4058546635039
4073 82	5	SCREW	4931508842	4058546635046
4079 83	1	HOUSING	4931508843	4058546635053
4092 84	10	SCREW	4931494503	4058546470753
4120 85	1	ROD	4931508844	4058546635060
4121 86	1	ROD	4931508845	4058546635077
4133 87	1	COVER	4931508846	4058546635084
4138 88	1	RATING PLATE	4931508847	4058546635091
4147 89	1	CLAMP CLIP	4931480035	4058546397982
4157 90	1	COVER	4931508848	4058546635107
4158 91	1	HOLDER	4931508849	4058546635114
4206 92	1	ELECTRONIC	4931508850	4058546635121
4217 93	1	HOUSING	4931508851	4058546635138
5028 94	1	COVER	4931508852	4058546635145
5057 95	2	SCREW	4931508853	4058546635152
5066 96	1	ELECTRONIC	4931480603	4058546426187
5108 97	3	SCREW	4931508854	4058546635169
5109 98	8	SCREW	4931494521	4058546470937
5111 99	2	SCREW	4931480042	4058546398057
5145 100	1	SCREW	4931508855	4058546635176

Position	Quantity	Description	Part number	EAN
5200 101	1	GUIDE RAIL	4931508856	4058546635183
5201 102	1	LATCH	4931494527	4058546470999
5202 103	1	HOLDER	4931494526	4058546470982
6143 104	2	SEAL	4931508857	4058546635190
6144 105	2	DRAIN COCK	4931508858	4058546635206
6211 106	1	SPRING	4931508859	4058546635213
6215 107	1	INDICATOR	4931508860	4058546635220
6224 108	1	FOOT	4931508861	4058546635237
6226 109	1	BELLOWS	4931508862	4058546635244
6227 110	1	PIN	4931508863	4058546635251
6301 111	2	SCREW	4931508864	4058546635268
6302 112	2	SCREW	4931508865	4058546635275
6303 113	7	SCREW	4931508866	4058546635282
6304 114	1	PLATE	4931508867	4058546635299
6306 115	7	WASHER	4931508868	4058546635305
6307 116	15	SPRING	4931508869	4058546635312
6308 117	7	NUT	4931508870	4058546635329
6310 118	4	SPRING	4931508871	4058546635336
6311 119	4	NUT	4931508872	4058546635343
6312 120	4	SCREW	4931508873	4058546635350
6313 121	4	SCREW	4931508874	4058546635367
6314 122	1	PLATE	4931508994	4058546636562
6315 123	1	RING	4931508875	4058546635374
6316 124	1	NUT	4931508876	4058546635381
6317 125	1	COVER	4931508877	4058546635398
6319 126	1	ROD	4931508878	4058546635404
6320 127	1	CYLINDER	4931508879	4058546635411
6321 128	1	RING	4931508880	4058546635428
6325 129	1	SLEEVE	4931508881	4058546635435
6327 130	2	CLAMP	4931508882	4058546635442
6328 131	1	CAP	4931508883	4058546635459
6329 132	1	PISTON	4931508884	4058546635466
6332 133	2	RING	4931508885	4058546635473
6333 134	1	CYLINDER	4931508886	4058546635480
6335 135	1	HANDLE	4931508887	4058546635497
6402 136	1	LOCTITE 277 THREAD LOCK FLUID	4931453843	4002395274710