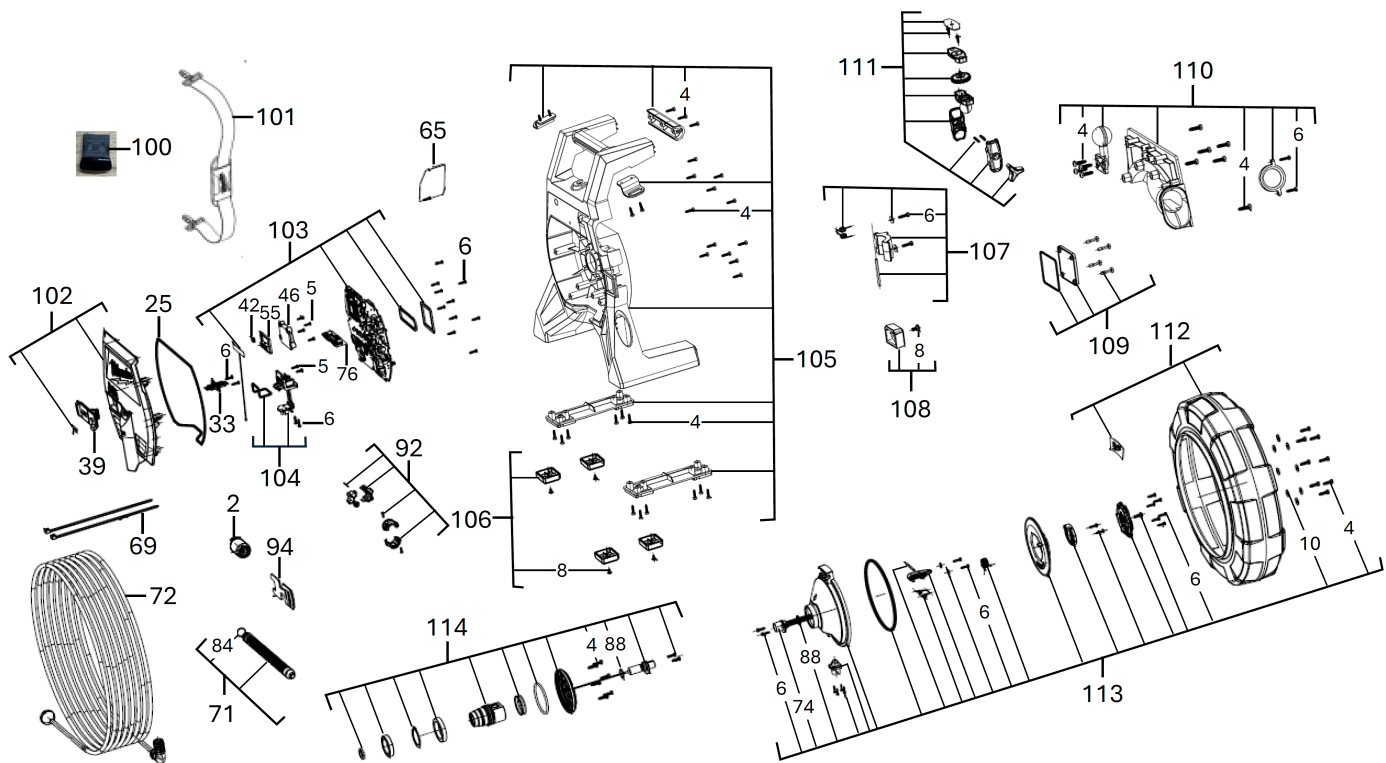


# M12SICO20-0 SEWER INSP. CAM. 20M W. 16MM

4933498231 - M12SICO20-0 - 4000505269





Position	Quantity	Description	Part number	EAN
0002 1	1	INSPECTION CAMERA	4931508612	4058546632748
0004 2	47	SCREW	4931473648	4058546355241
0005 3	6	SCREW	4931508614	4058546632762
0006 4	28	SCREW	4931473647	4058546355234
0008 5	8	SCREW	4931473597	4058546354732
0010 6	8	SEALING WASHER	4931473603	4058546354794
0025 7	1	SEAL	4931508615	4058546632779
0033 8	1	GAUGE	4931508616	4058546632786
0039 9	1	COVER	4931508617	4058546632793
0042 10	1	LENS	4931508618	4058546632809
0046 11	1	COVER	4931508619	4058546632816
0055 12	1	BUTTON	4931508620	4058546632823
0065 13	1	RATING PLATE	4931508621	4058546632830
0069 14	2	CABLE JOINT	4931473610	4058546354862
0071 15	1	SPRING	4931508622	4058546632847
0072 16	1	CABLE	4931508623	4058546632854
0074 17	1	CONNECTOR	4931508624	4058546632861
0076 18	1	ELECTRONIC	4931508625	4058546632878
0084 19	1	SPRING	4931508626	4058546632885
0088 20	2	O-RING	4931473613	4058546354893
0092 21	1	SLEEVE	4931508627	4058546632892
0094 22	1	WRENCH	4931508628	4058546632908
0100 23	1	SWITCH KIT	4931508629	4058546632915
0101 24	1	STRAP	4931479039	4058546366070
0102 25	1	HOUSING	4931508630	4058546632922
0103 26	1	ELECTRONIC	4931508631	4058546632939
0104 27	1	COVER	4931508632	4058546632946
0105 28	1	HOUSING	4931508633	4058546632953
0106 29	1	FOOT	4931508634	4058546632960
0107 30	1	CLIP	4931508635	4058546632977
0108 31	1	FOOT	4931508636	4058546632984
0109 32	1	DOOR	4931508637	4058546632991
0110 33	1	COVER	4931508638	4058546633004
0111 34	1	MOUNTING BRACKET	4931508639	4058546633011
0112 35	1	MOULDED PART	4931508640	4058546633028
0113 36	1	HUB	4931508641	4058546633035
0114 37	1	FRAME	4931508642	4058546633042