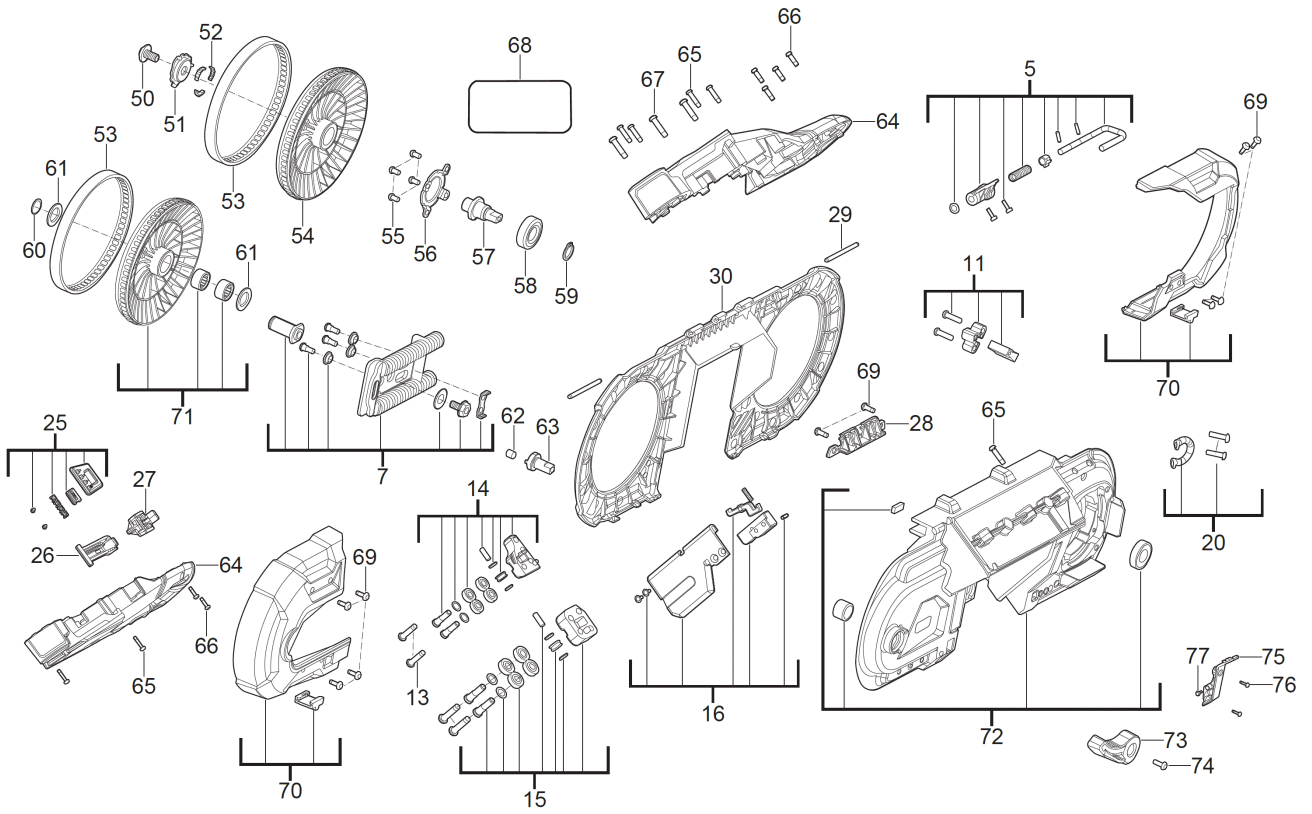
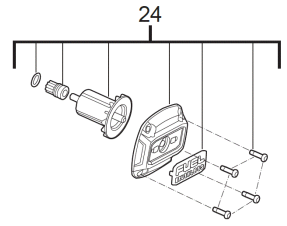
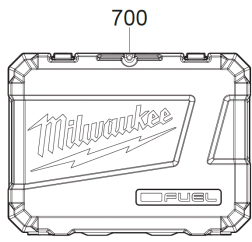
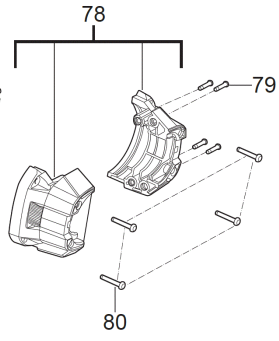
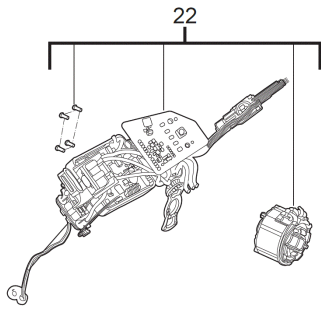
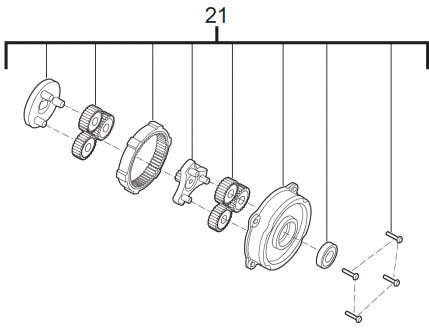


# M18FBS127-0 DEEP CUT BAND SAW G2 XXX

4933498309 - M18FBS127-0 - 4000503730







| Position | Quantity | Description                             | Part number                  | EAN           |
|----------|----------|---|------------------------------|---------------|
| 0005 1   | 1        | HOOK                                    | 4931506638                   | 4058546559526 |
| 0007 2   | 1        | TENSION LEVER                           | 4931506639                   | 4058546559533 |
| 0011 3   | 1        | TIRE CLEARING BRUSH KIT,038110/NEXT GEN | 4931436745                   | 4002395811045 |
| 0013 4   | 4        | SCREW                                   | 4931506640                   | 4058546559540 |
| 0014 5   | 1        | GUIDE BLOCK                             | 4931506641                   | 4058546559557 |
| 0015 6   | 1        | GUIDE BLOCK                             | 4931506642                   | 4058546559564 |
| 0016 7   | 1        | GUIDE SHOE                              | 4931506643                   | 4058546559571 |
| 0020 8   | 1        | BRACKET                                 | 4931506644                   | 4058546559588 |
| 0021 9   | 1        | GEAR KIT                                | 4931506645                   | 4058546559595 |
| 0022 10  | 1        | ELECTRONIC                              | 4931506646                   | 4058546559601 |
| 0024 11  | 1        | ARMATURE                                | 4931506647                   | 4058546559618 |
| 0025 12  | 1        | DIAL-MODUL ASSEMBLY                     | 4931506648                   | 4058546559625 |
| 0026 13  | 1        | TRIGGER                                 | 4931506649                   | 4058546559632 |
| 0027 14  | 1        | BUTTON                                  | 4931506650                   | 4058546559649 |
| 0028 15  | 1        | HINGE PIECE                             | 4931506651                   | 4058546559656 |
| 0029 16  | 2        | PIN                                     | 4931506652                   | 4058546559663 |
| 0030 17  | 1        | COVER                                   | 4931506653                   | 4058546559670 |
| 0050 18  | 1        | SCREW                                   | 4931506654                   | 4058546559687 |
| 0051 19  | 1        | WASHER                                  | 4931506655                   | 4058546559694 |
| 0052 20  | 3        | SPRING PLATE                            | 4931472749                   | 4058546330514 |
| 0053 21  | 2        | BELT                                    | 4931436235                   | 4002395252039 |
| 0054 22  | 1        | PULLEY                                  | 4931506656                   | 4058546559700 |
| 0055 23  | 4        | SCREW                                   | 4931506657                   | 4058546559717 |
| 0056 24  | 1        | PLATE                                   | 4931506658                   | 4058546559724 |
| 0057 25  | 1        | SHAFT                                   | 4931506659                   | 4058546559731 |
| 0058 26  | 1        | GROOV. BALL BEARING                     | 4931506660                   | 4058546559748 |
| 0059 27  | 1        | RETAINING RING                          | 4931453112                   | 4002395152063 |
| 0060 28  | 1        | PROTECTION WASHER                       | 4931436231                   | 4002395885497 |
| 0061 29  | 2        | SPACER                                  | 4931436232                   | 4002395252008 |
| 0062 30  | 1        | BUSH                                    | 4931436240                   | 4002395252084 |
| 0063 31  | 1        | CAM SHAFT                               | 4931506661                   | 4058546559755 |
| 0064 32  | 1        | HANDLE COMPL.                           | 4931506662                   | 4058546559762 |
| 0065 33  | 7        | SCREW                                   | 4931473265                   | 4058546335670 |
| 0066 34  | 6        | SCREW                                   | 4931473361                   | 4058546336639 |
| 0067 35  | 3        | SCREW                                   | 4931465543                   | 4058546236434 |
| 0068 36  | 1        | RATING PLATE                            | 4931506663                   | 4058546559779 |
| 0069 37  | 10       | SCREW TORX SCREW                        | 06825314                     | 4002395851935 |
| 0070 38  | 1        | MAIN SHROUD                             | 4931506664                   | 4058546559786 |
| 0071 39  | 1        | BEARING                                 | 4931506665                   | 4058546559793 |
| 0072 40  | 1        | BODY                                    | 4931506666                   | 4058546559809 |
| 0073 41  | 1        | LEVER                                   | 4931506667                   | 4058546559816 |
| 0074 42  | 1        | SCREW                                   | 4931452223                   | 4002395180370 |
| 0075 43  | 1        | HOUSING                                 | 4931506668                   | 4058546559823 |
| 0076 44  | 2        | SCREW                                   | Item discontinued(661414002) |               |
| 0077 45  | 1        | SCREW                                   | 4931465279                   | 4058546233792 |
| 0078 46  | 1        | MOTOR HOUSING                           | 4931506669                   | 4058546559830 |
| 0079 47  | 4        | SCREW                                   | 660230017                    | 4002395839742 |
| 0080 48  | 4        | SCREW                                   | 4931473740                   | 4058546356163 |
| 0700 49  | 1        | CARRYING CASE                           | 4931506670                   | 4058546559847 |