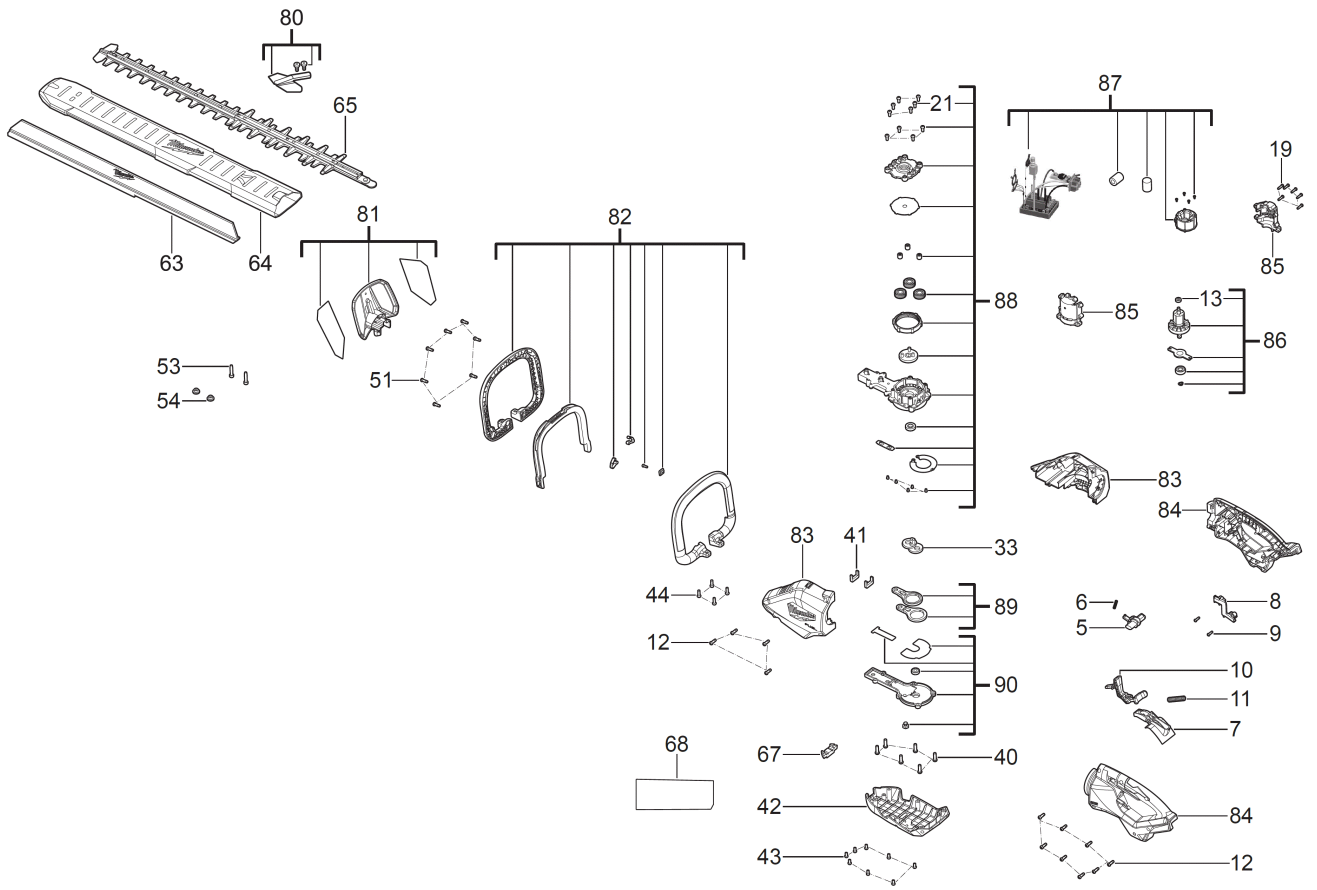


M18FHET75G2-0 HEDGE TRIMMER 75 CM XXX

4933498387 - M18FHET75G2-0 - 4000503884



Position	Quantity	Description	Part number	EAN
0005 1	1	PUSH-BUTTON	4931461361	4058546035334
0006 2	1	SPRING	4931506893	4058546562076
0007 3	1	TRIGGER	4931506894	4058546562083
0008 4	1	COVER	4931506895	4058546562090
0009 5	2	SCREW	4931496186	4058546533236
0010 6	1	SLIDE	4931506896	4058546562106
0011 7	1	SPRING	4931506897	4058546562113
0012 8	12	SCREW	4931479948	4058546397111
0013 9	1	BALL BEARING	4931495379	4058546490478
0019 10	6	SCREW	4931465499	4058546235994
0021 11	10	SCREW	4931494244	4058546468163
0033 12	1	CAM SHAFT	4931506898	4058546562120
0040 13	6	SCREW	4931466683	4058546279004
0041 14	2	SEAL	4931506899	4058546562137
0042 15	1	COVER	4931506900	4058546562144
0043 16	8	SCREW	4931472686	4058546329884
0044 17	4	SCREW	4931506901	4058546562151
0051 18	7	SCREW	4931496932	4058546552466
0053 19	2	SCREW	4931506902	4058546562168
0054 20	2	BUSHING	4931461351	4058546035235
0063 21	1	COVER PLATE	4931506919	4058546562335
0064 22	1	COVER PLATE	4931506920	4058546594312
0065 23	1	SHEAR BLADE	4931506921	4058546594329
0067 24	1	RUBBER PLATE	4931506906	4058546562205
0068 25	1	RATING PLATE	4931506922	4058546594336
0080 26	1	GUARD	4931506908	4058546562229
0081 27	1	HAND GUARD	4931506909	4058546562236
0082 28	1	HANDLE SET	4931506910	4058546562243
0083 29	1	HANDLE COVER	4931506911	4058546562250
0084 30	1	HOUSING	4931506912	4058546562267
0085 31	1	MOTOR HOUSING	4931506913	4058546562274
0086 32	1	ARMATURE	4931506914	4058546562281
0087 33	1	ELECTRONIC	4931506923	4058546594343
0088 34	1	GEAR CASE	4931506916	4058546562304
0089 35	1	CONNECTING ROD	4931506917	4058546562311
0090 36	1	COVER	4931506918	4058546562328