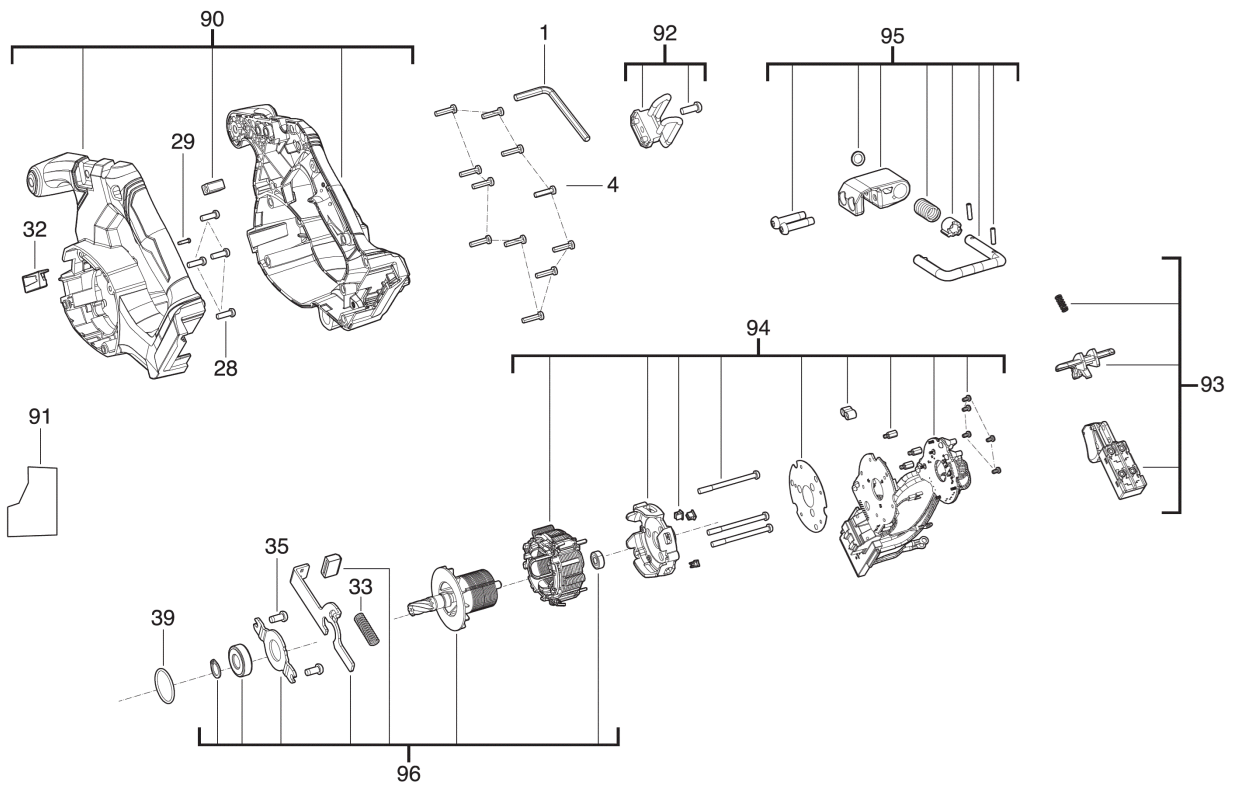
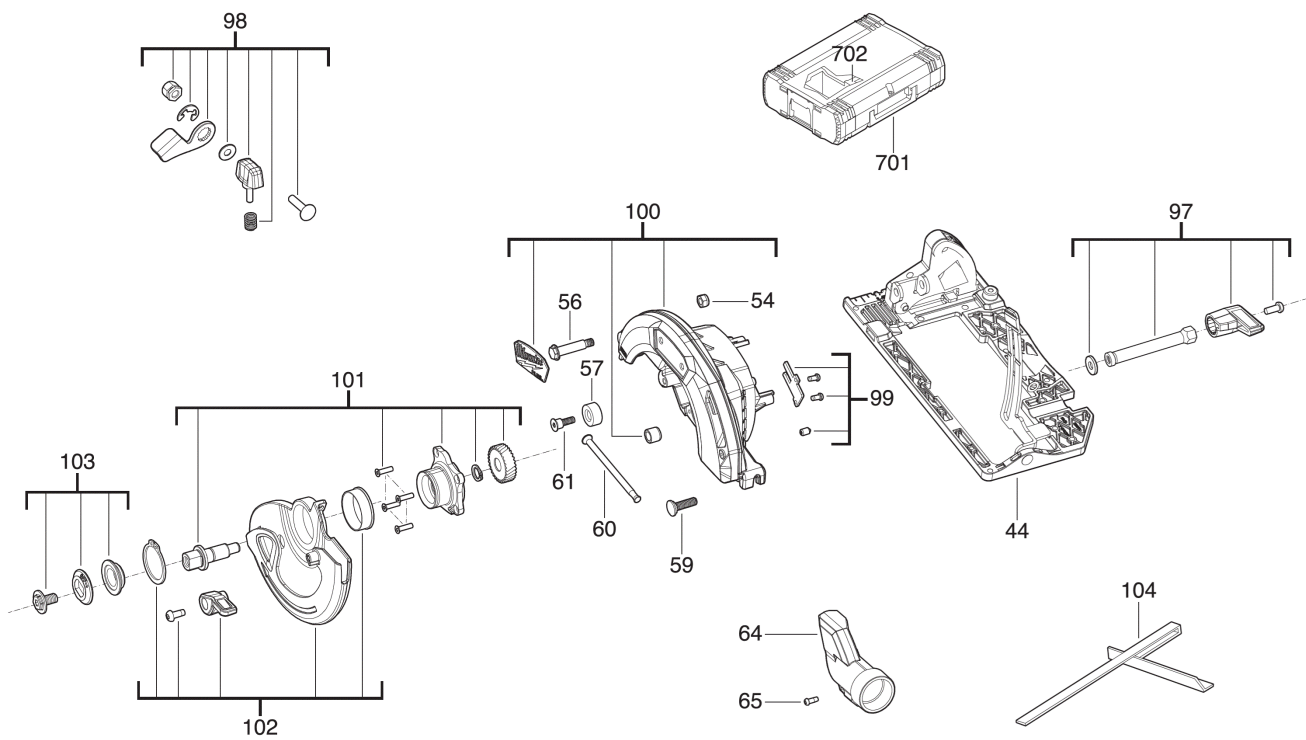


M18FPP6H3-502B M18 FUEL POWER PACK IN2

4933498659 - M18FPP6H3-502B - 4000503434





Position	Quantity	Description	Part number	EAN
0001 1	1	KEY	4931436125	4002395878734
0004 2	11	SCREW	4931506283	4058546555979
0028 3	4	SCREW	4931472710	4058546330125
0029 4	1	SCREW	4931496888	4058546540258
0032 5	1	LED LIGHT	4931506284	4058546555986
0033 6	1	SPRING	4931506285	4058546555993
0035 7	2	LOCKING SCREW	4931465672	4058546237721
0039 8	1	O-RING	4931436466	4002395251742
0044 9	1	PROTECTING SHOE	4931506286	4058546556006
0054 10	1	NUT	4931506287	4058546556013
0056 11	1	BOLT	4931506288	4058546556020
0057 12	1	RUBBER BUMPER	4931465876	4058546239763
0059 13	1	BOLT	4931496880	4058546540173
0060 14	1	SPRING ELEMENT	4931506289	4058546556037
0061 15	1	SCREW	4931506290	4058546556044
0064 16	1	DUST EXTRACTION	4931506291	4058546556051
0065 17	1	SCREW	4931506292	4058546556068
0090 18	1	HOUSING	4931506293	4058546556075
0091 19	1	RATING PLATE	4931506294	4058546556082
0092 20	1	HOOK	4931472321	4058546285388
0093 21	1	PUSH-BUTTON	4931506295	4058546556099
0094 22	1	ELECTRONIC	4931506296	4058546556105
0095 23	1	HOOK	4931506297	4058546556112
0096 24	1	ROTOR	4931506298	4058546556129
0097 25	1	CLAMPING LEVER	4931506299	4058546556136
0098 26	1	CLAMPING LEVER	4931506300	4058546556143
0099 27	1	LOCK	4931506301	4058546556150
0100 28	1	HOUSING	4931506302	4058546556167
0101 29	1	OUTPUT SHAFT KIT	4931506303	4058546556174
0102 30	1	CUTTING GUARD	4931506304	4058546556181
0103 31	1	FASTENING BOLT	4931506305	4058546556198
0104 32	1	PARALLEL GUIDE	43300100	4002395872091
0701 33	1	HD Box 3 - 1pc	4932453386	4002395143634
0702 34	1	INSERT	4931506307	4058546556211