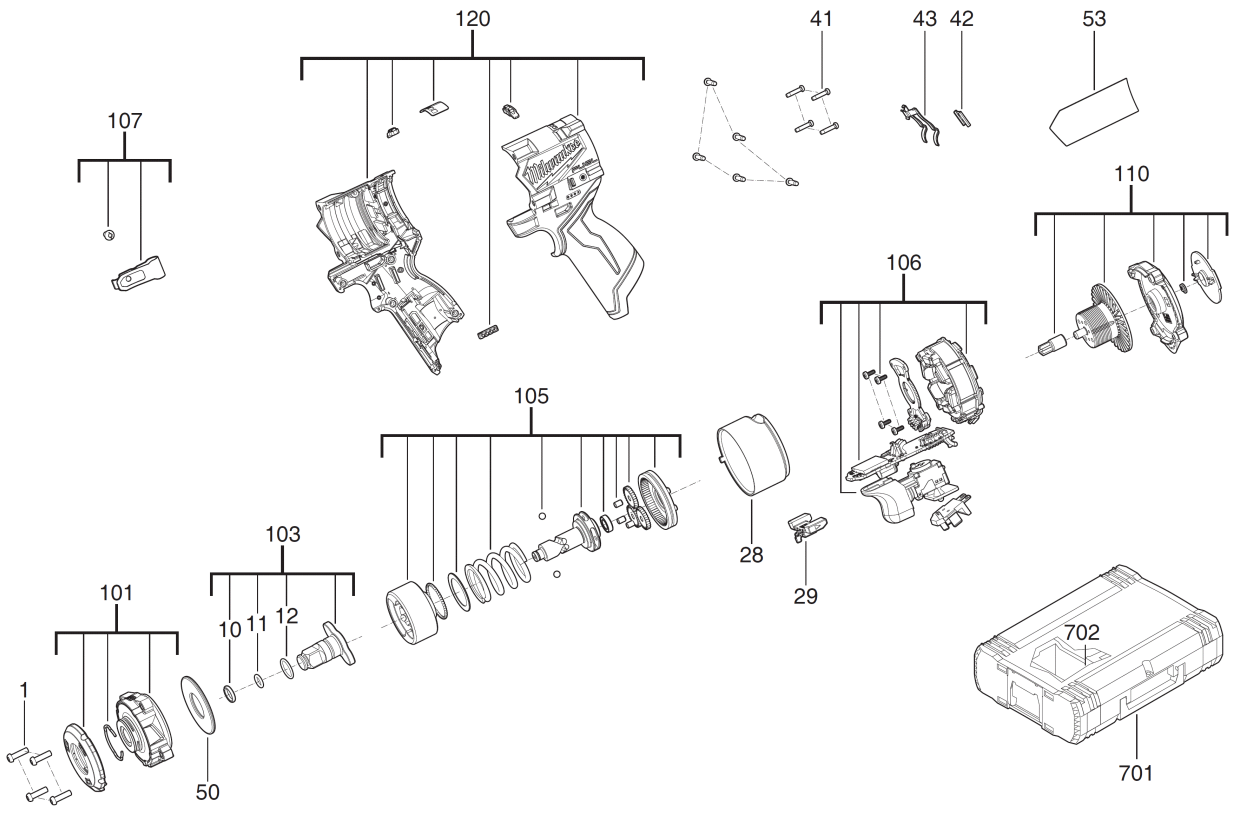


M12FPP2X2-402X FUEL POWER PACK IN2

4933498741 - M12FPP2X2-402X - 4000481985



Position	Quantity	Description	Part number	EAN
0001 1	4	SCREW	4931506043	4058546553579
0010 2	1	CIRCLIP	4931416493	4002395898374
0011 3	1	O-RING	4931416492	4002395898367
0012 4	1	O-RING	4931473546	4058546354220
0028 5	1	SLEEVE	4931506538	4058546558529
0029 6	1	TRIGGER	4931506539	4058546558536
0041 7	9	SCREW	4931465499	4058546235994
0042 8	1	CONNECTOR	4931436292	4002395252909
0043 9	1	SPRING	4931506540	4058546558543
0050 10	1	WASHER	4931465768	4058546238681
0053 11	1	RATING PLATE	4931506541	4058546558550
0101 12	1	GEAR BOX	4931506542	4058546558567
0103 13	1	ANVIL	4931506543	4058546558574
0105 14	1	GEAR UNIT	4931506544	4058546558581
0107 15	1	BELT CLIP	4931494056	4058546429379
0110 16	1	ARMATURE	4931508342	4058546630041
0120 17	1	HOUSING	4931506547	4058546558611
0702 18	1	INSERT	4931506548	4058546558628