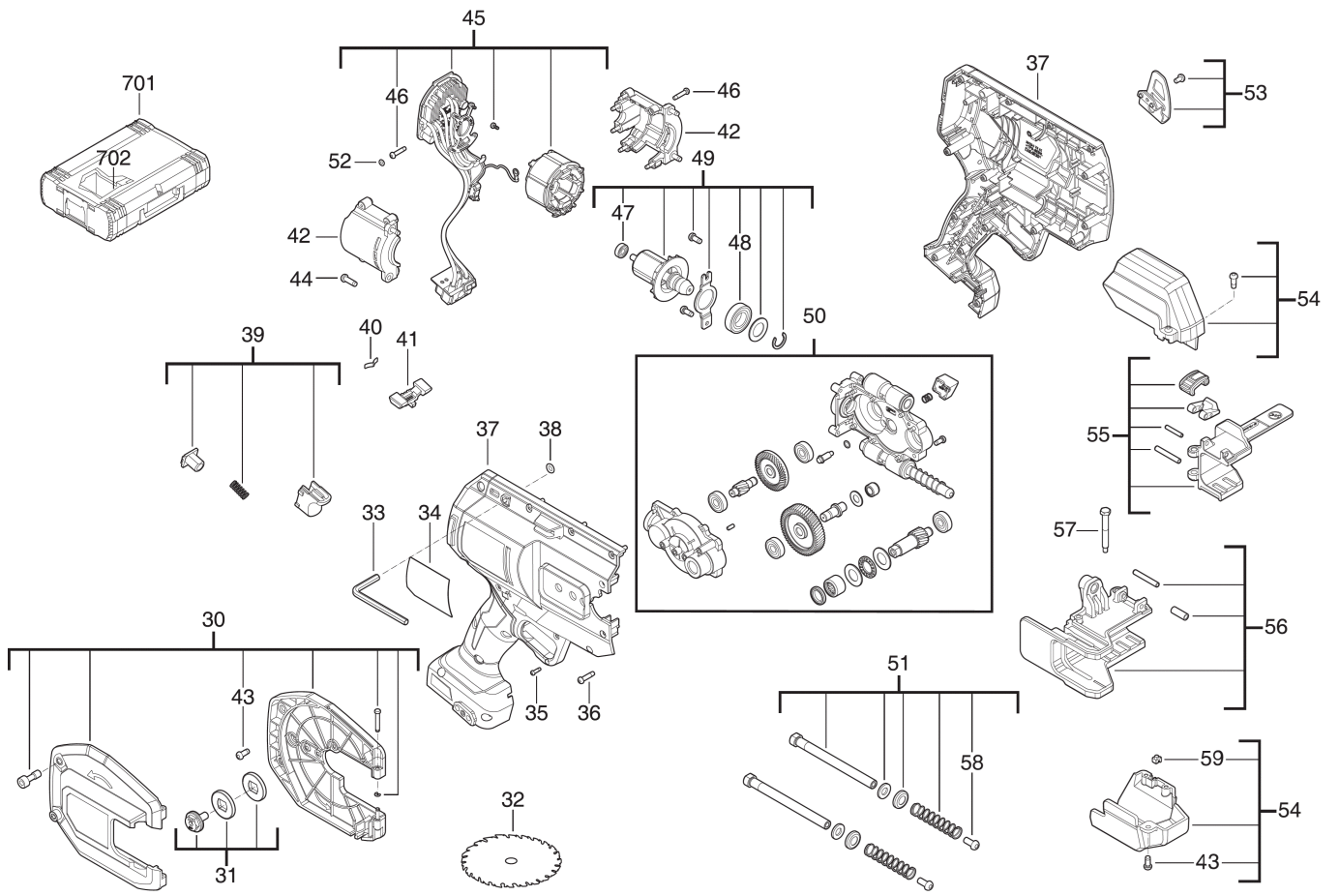


M18FPCS-502X M18 STEEL PIPE CUTTER IN2

4933498915 - M18FPCS-502X - 4000510320





Position	Quantity	Description	Part number	EAN
0030 1	1	GUARD	4931508204	4058546628666
0031 2	1	FLANGE	4931508205	4058546628673
0033 3	1	KEY	4931436125	4002395878734
0034 4	1	RATING PLATE	4931508206	4058546628680
0035 5	1	SCREW	4931508207	4058546628697
0036 6	15	SCREW	660031017	4002395825189
0037 7	1	HOUSING	4931508208	4058546628703
0038 8	1	O-RING	34404480	4058546072193
0039 9	1	TRIGGER	4931508209	4058546628710
0040 10	1	SPRING PLATE	4931452341	4002395172528
0041 11	1	SWITCH LEVER	4931508210	4058546628727
0042 12	1	HOUSING	4931508211	4058546628734
0043 13	6	SCREW	4931473732	4058546356088
0044 14	4	SCREW	4931435150	4002395859948
0045 15	1	ELECTRONIC	4931508212	4058546628741
0046 16	7	SCREW	4931465499	4058546235994
0047 17	1	BALL BEARING	4931495379	4058546490478
0048 18	1	BALL BEARING	4931508213	4058546628758
0049 19	1	ROTOR	4931508214	4058546628765
0050 20	1	GEAR BOX KIT	4931508215	4058546628772
0051 21	2	RETAINING SPRING	4931508216	4058546628789
0052 22	1	O-RING	4931480707	4058546427221
0053 23	1	BELT CLIP	4931465831	4058546239312
0054 24	1	COVER	4931508217	4058546628796
0055 25	1	GRIP	4931508218	4058546628802
0056 26	1	PLATE	4931508219	4058546628819
0057 27	1	PIN	4931508220	4058546628826
0058 28	2	SCREW	4931496270	4058546534073
0059 29	1	GRIP	4931508221	4058546628833
0702 30	1	INSERT	4931508222	4058546628840