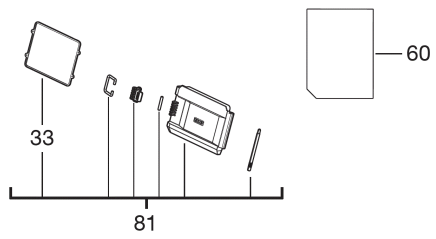
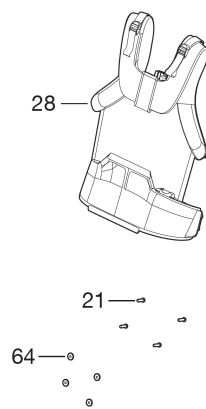
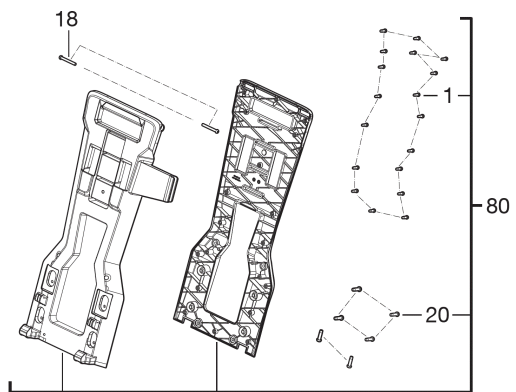
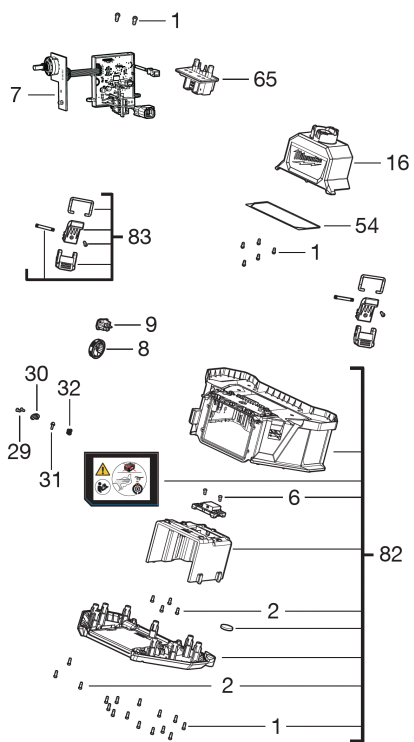


# M18BBPFP2-0 BACK PACK FLUID PUMP XXX

4933498961 - M18BBPFP2-0 - 4000509500





Position	Quantity	Description	Part number	EAN
0001 1	39	SCREW	4931473361	4058546336639
0002 2	7	SCREW	4931447515	4002395880539
0006 3	2	SCREW	4931435015	4002395856633
0007 4	1	ELECTRONIC	4931508032	4058546626945
0008 5	1	DIAL-MODUL ASSEMBLY	4931508033	4058546626952
0009 6	1	ROCKER SWITCH	4931508034	4058546626969
0016 7	1	ADAPTOR	4931508035	4058546626976
0018 8	2	SCREW	4931496479	4058546536169
0020 9	6	SCREW	4931465543	4058546236434
0021 10	4	SCREW	4931466683	4058546279004
0028 11	1	STRAP	4931508036	4058546626983
0029 12	2	SCREW	4931472925	4058546332273
0030 13	1	DIAL-MODUL ASSEMBLY	4931508037	4058546626990
0031 14	1	BALL	4931508038	4058546627003
0032 15	1	SPRING	4931508039	4058546627010
0033 16	1	GASKET	4931508040	4058546627027
0054 17	1	O-RING	4931508041	4058546627034
0060 18	1	RATING PLATE	4931508042	4058546627041
0064 19	4	WASHER	4931480315	4058546423308
0065 20	1	WIRE	4931508043	4058546627058
0080 21	1	FRAME	4931508044	4058546627065
0081 22	1	DOOR	4931508045	4058546627072
0082 23	1	MOTOR HOUSING	4931508046	4058546627089
0083 24	2	LATCH	4931508047	4058546627096