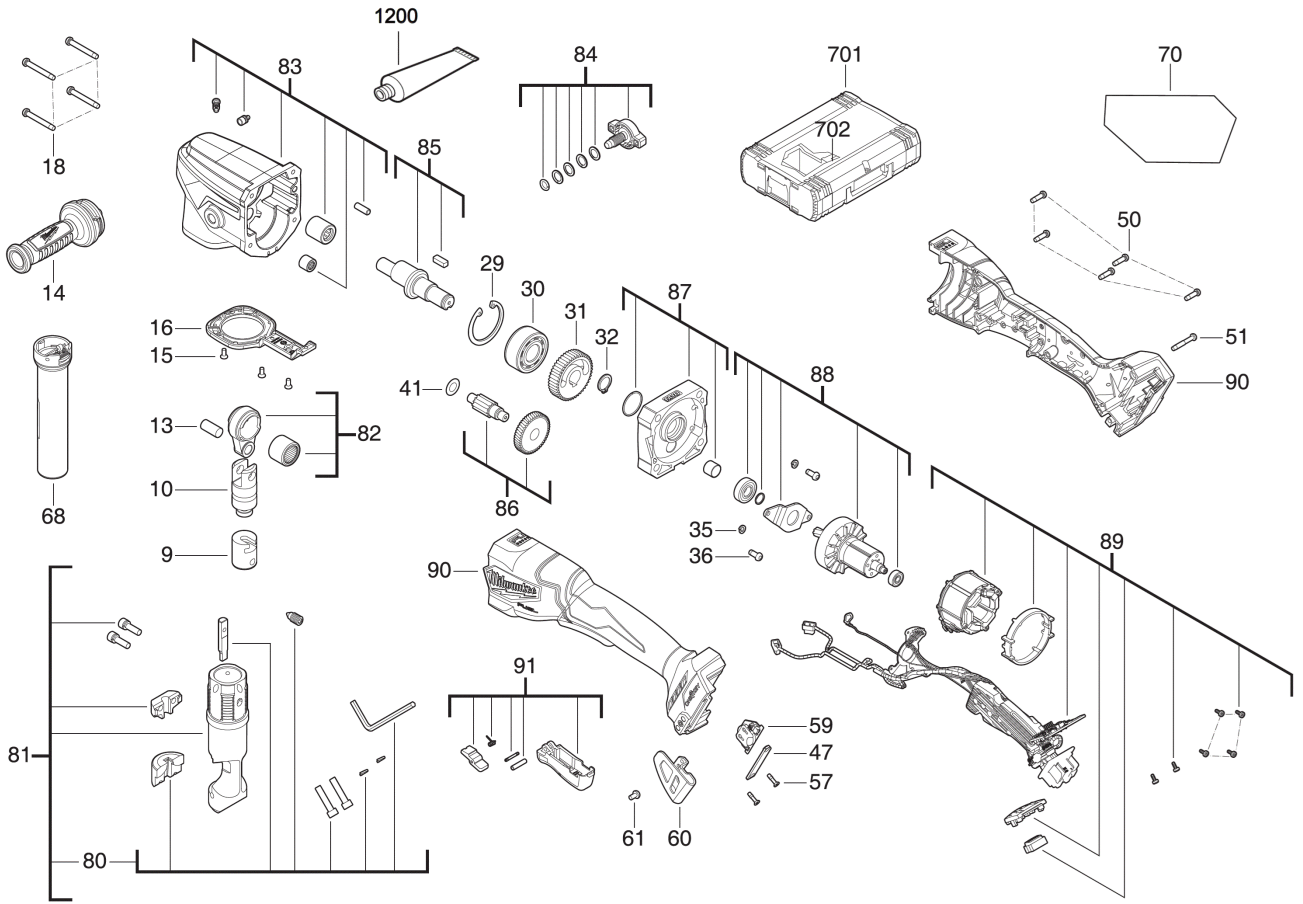


M18FNB35-502X M18 FUEL 3.5MM NIBBLER IN2

4933498983 - M18FNB35-502X - 4000509600





Position	Quantity	Description	Part number	EAN
0009 1	1	HOLDER	4931507761	4058546602727
0010 2	1	PISTON	4931507762	4058546602734
0013 3	1	PIN	4931507763	4058546602741
0014 4	1	AUXILIARY HANDLE	4931435002	4002395855919
0015 5	3	SCREW	4931507764	4058546602758
0016 6	1	COVER	4931507765	4058546602765
0018 7	4	SCREW	4931465325	4058546234256
0029 8	1	RETAINING RING	4931507766	4058546602772
0030 9	1	BALL BEARING	4931507767	4058546602789
0031 10	1	GEAR	4931507768	4058546602796
0032 11	1	RETAINING RING	4931465452	4058546235529
0035 12	2	PROTECTION WASHER	680866003	4002395823895
0036 13	2	SCREW	4931473732	4058546356088
0041 14	1	WASHER	4931507769	4058546602802
0047 15	1	HOUSING COVER	4931506780	4058546560942
0050 16	5	SCREW	4931496890	4058546540272
0051 17	1	SCREW	4931496283	4058546534202
0057 18	2	SCREW	4931496273	4058546534103
0059 19	1	COIN CELL PCBA	4931507770	4058546602819
0060 20	1	HOOK	4931436134	4002395879427
0061 21	1	SCREW	4931465986	4058546272036
0068 22	1	BAG	4931507771	4058546602826
0070 23	1	RATING PLATE	4931507772	4058546602833
0080 24	1	SERVICE KIT	4931507773	4058546602840
0081 25	1	HOLDER	4931507774	4058546602857
0082 26	1	ROD	4931507775	4058546602864
0083 27	1	GEAR CASE	4931507776	4058546602871
0084 28	1	SERVICE KIT	4931507777	4058546602888
0085 29	1	ECCENTRIC SHAFT	4931507778	4058546602895
0086 30	1	SHAFT	4931507779	4058546602901
0087 31	1	END COVER CAP	4931507780	4058546602918
0088 32	1	END COVER CAP	4931507781	4058546602925
0089 33	1	ELECTRONIC	4931507782	4058546602932
0090 34	1	HANDLE	4931507783	4058546602949
0091 35	1	TRIGGER	4931507784	4058546602956
0702 36	1	INSERT	4931507785	4058546602963
1200 37	1	GREASE	49084220	4002395786978