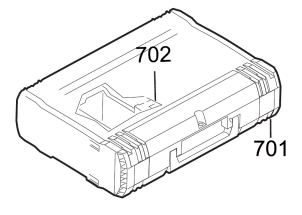
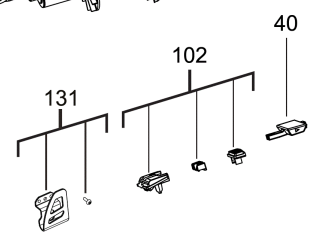
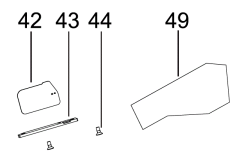
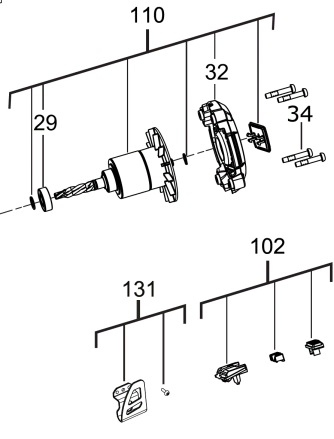
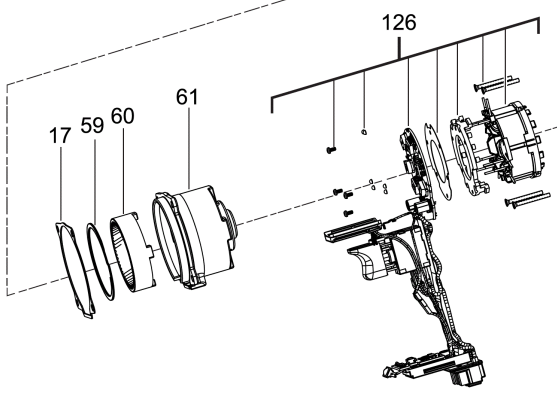
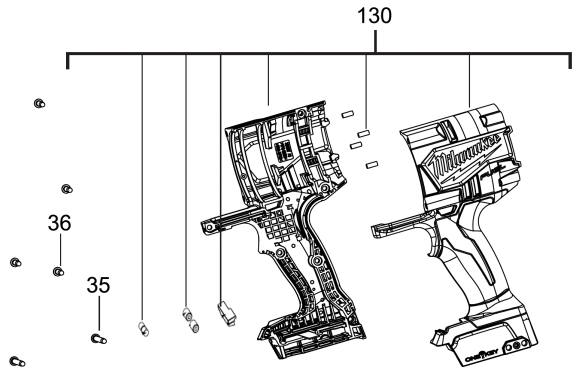
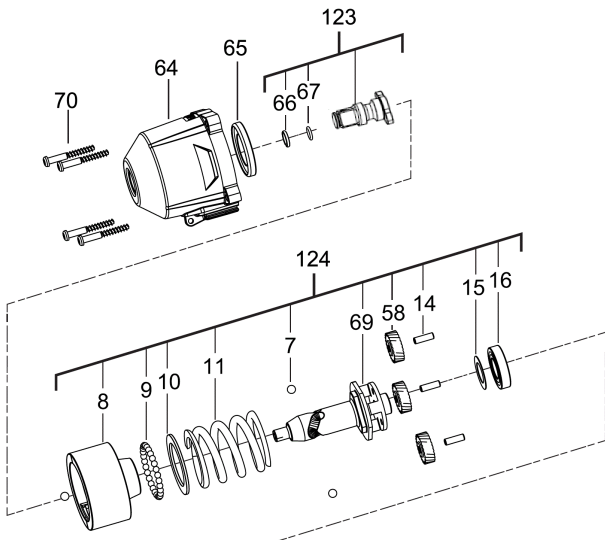


# **M18ONEFHIWF34-0 IMPACT WRENCH XXX**

**4933499164 - M18ONEFHIWF34-0 - 4000503530**



Position	Quantity	Description	Part number	EAN
0007 1	3	BALL	4931436148	4002395880935
0008 2	1	HAMMER	4931465312	4058546234126
0009 3	28	BALL	4931440453	4002395892020
0010 4	1	BEARING WASHER	4931465313	4058546234133
0011 5	1	SPRING	4931465314	4058546234140
0014 6	3	PIN	671565004	4002395825028
0015 7	1	BEARING WASHER	4931465317	4058546234171
0016 8	1	BALL BEARING	681340001	4002395824021
0017 9	1	GASKET	4931506382	4058546556969
0029 10	1	BALL BEARING	4931465322	4058546234225
0032 11	1	BEARING COVER	4931465323	4058546234232
0034 12	4	SCREW	4931465324	4058546234249
0035 13	2	SCREW	4931465325	4058546234256
0036 14	5	SCREW	4931465326	4058546234263
0040 15	1	SWITCH LEVER	4931465328	4058546234287
0042 16	1	CONTACT CASE	4931479742	4058546395056
0043 17	1	COVER	4931465384	4058546234843
0044 18	2	SCREW	4931465385	4058546234850
0049 19	1	RATING PLATE	4931506383	4058546556976
0058 20	3	PLANET GEAR	4931454518	4058546009465
0059 21	1	PROTECTION WASHER	4931436145	4002395880911
0060 22	1	WORM GEAR WHEEL	4931465342	4058546234423
0061 23	1	GEAR BOX HOUSING	4931506384	4058546556983
0064 24	1	GEAR BOX	4931506385	4058546556990
0065 25	1	DISC	4931465517	4058546236175
0066 26	1	RING	44904540	4002395736133
0067 27	1	O-RING	34401210	4058546072094
0069 28	1	SHAFT	4931465518	4058546236182
0070 29	4	FEED SCREW	4931506386	4058546557003
0102 30	1	SWITCH	4931465387	4058546234874
0110 31	1	ROTOR	4931465330	4058546234300
0123 32	1	DRIVE	4931465520	4058546236205
0124 33	1	GEAR KIT	4931465521	4058546236212
0126 34	1	ELECTRONIC	4931507236	4058546597474
0130 35	1	HOUSING	4931506387	4058546557010
0131 36	1	CLAMP	4931436160	4002395880324
0701 37	1	HD Box 1 - 1pc	4932453385	4002395146376
0702 38	1	INSERT	4931465336	4058546234362