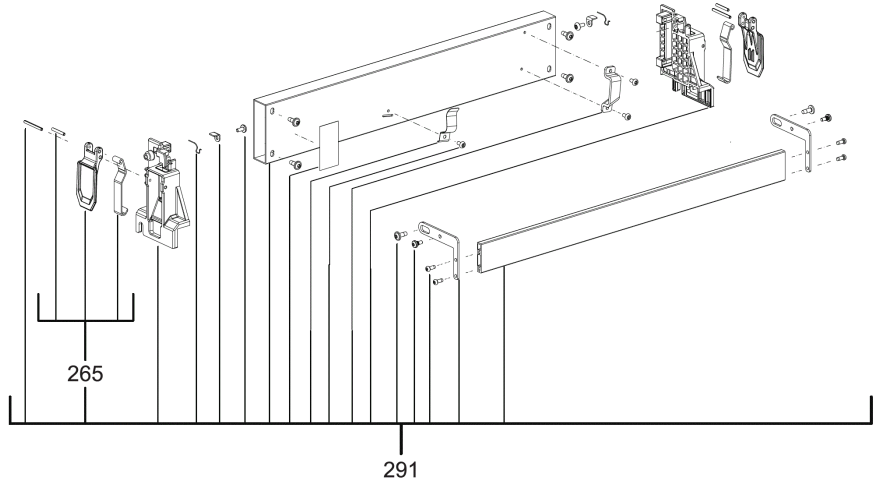
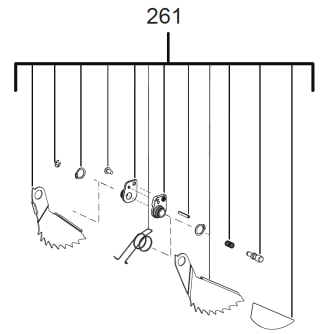
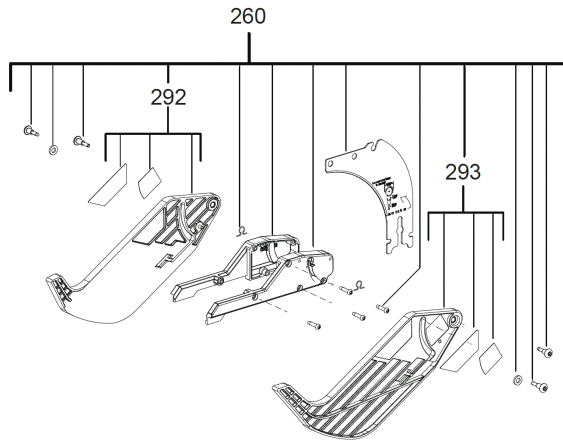
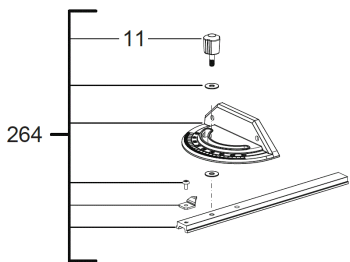
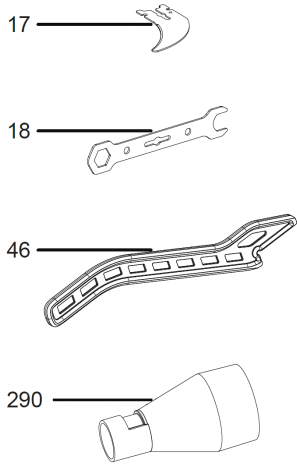
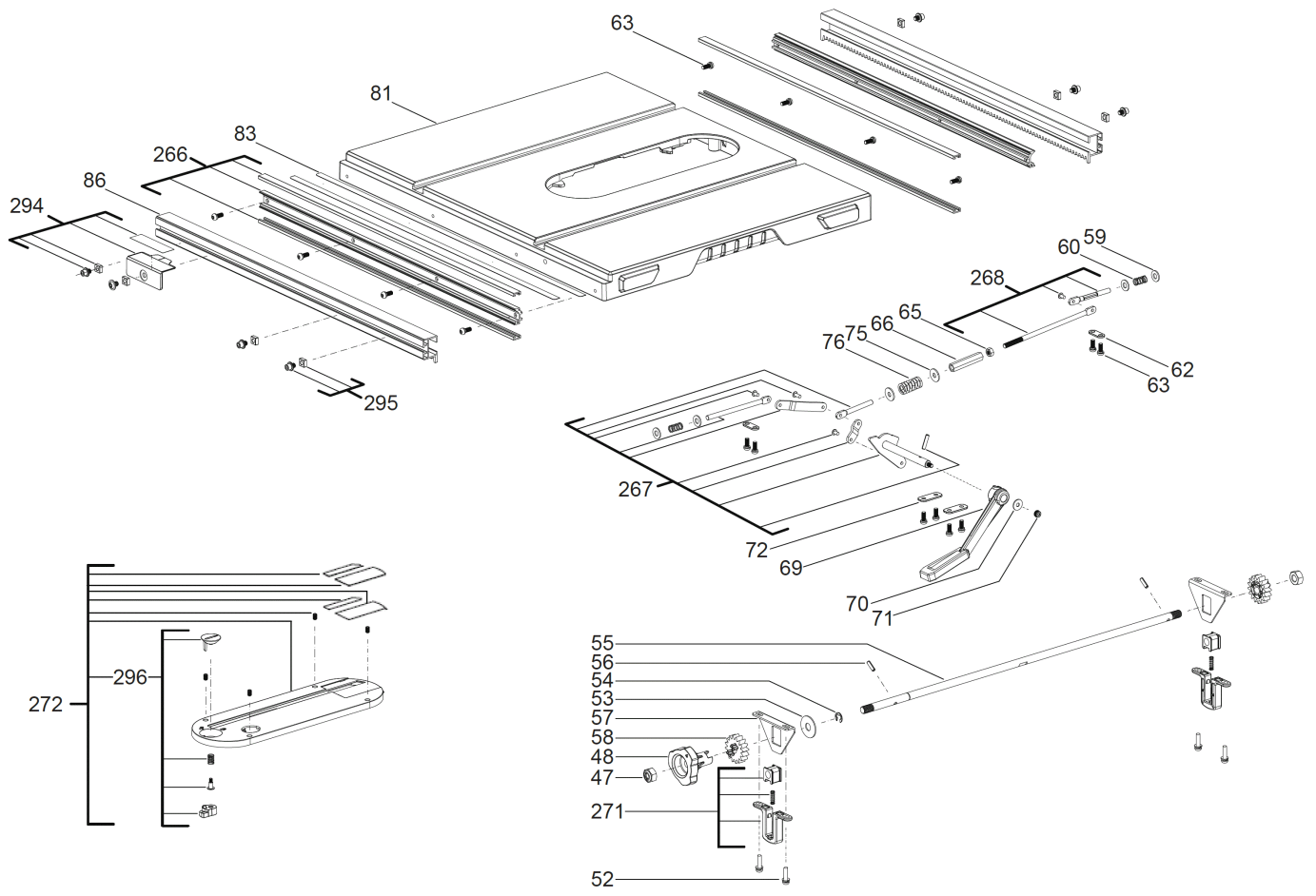
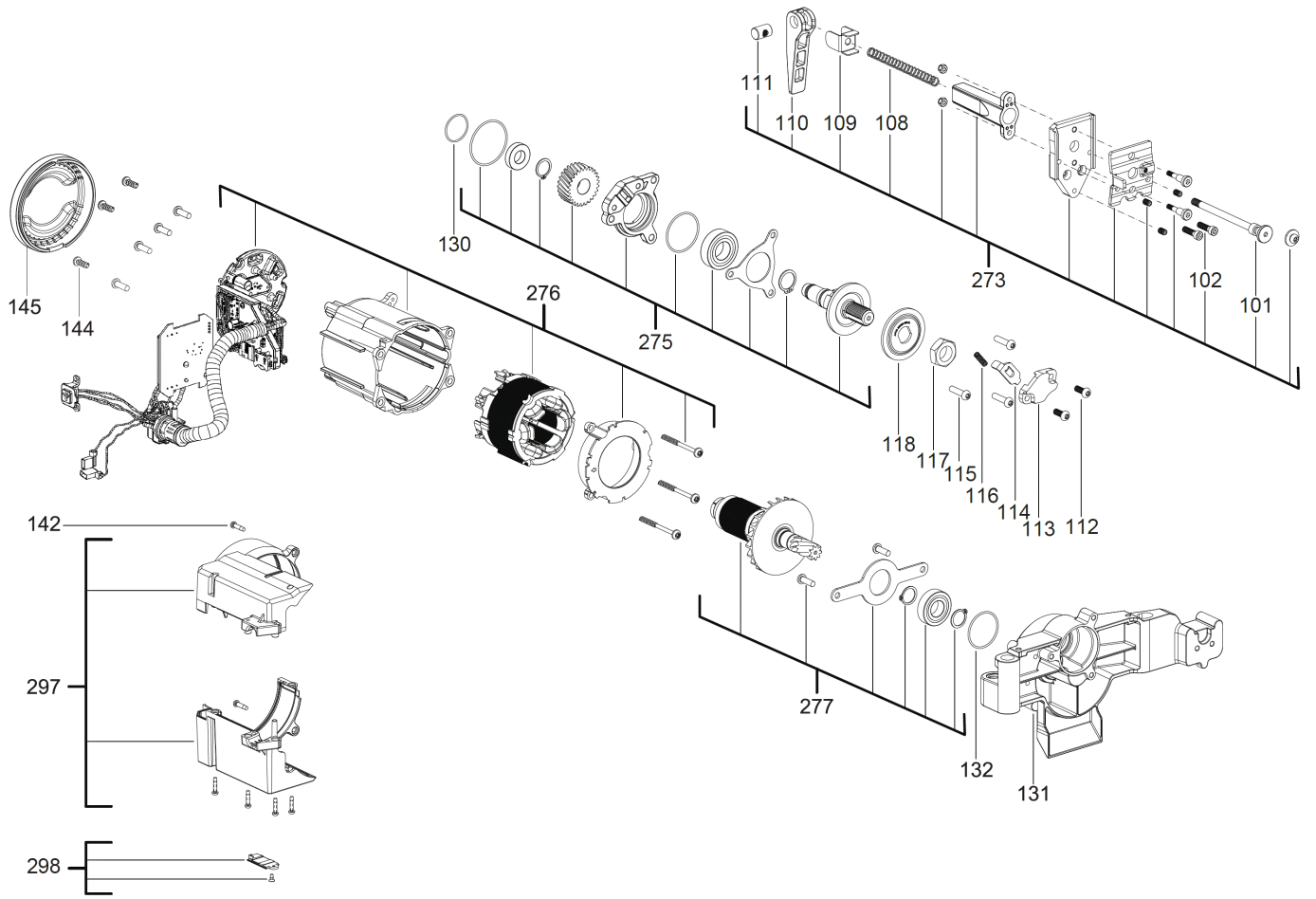


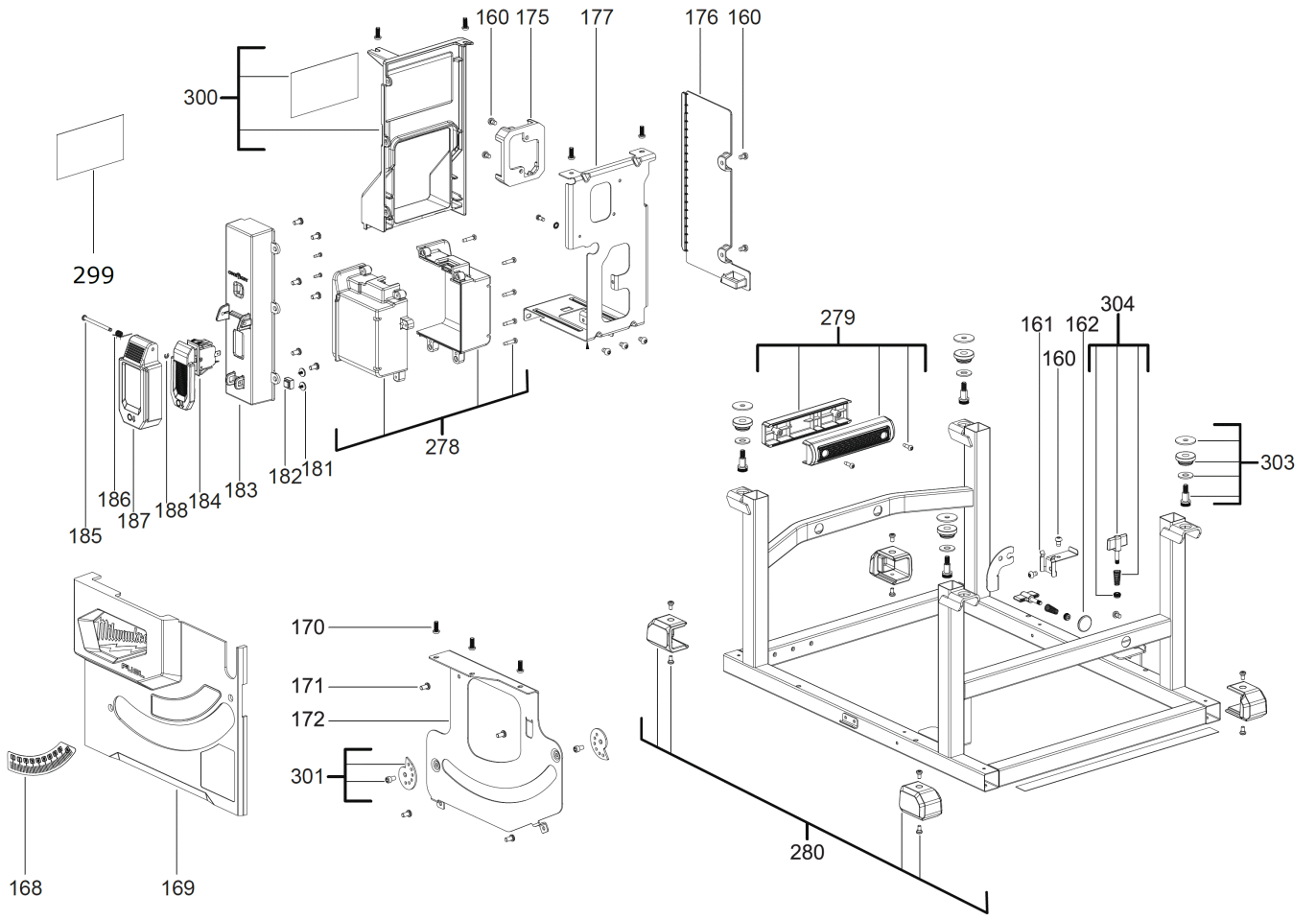
M18FTS210-121B BTY.TABLE SAW IN2

4933499179 - M18FTS210-121B - 4000460960









Position	Quantity	Description	Part number	EAN
0011 1	1	KNOB	4931466006	4058546272234
0017 2	1	SPLITTING WEDGE	4931466007	4058546272241
0018 3	1	ALLEN KEY	4931466008	4058546272258
0046 4	1	HOLDING-DOWN DEVICE	4931466009	4058546272265
0047 5	2	NUT	4931466010	4058546272272
0048 6	1	KNOB	4931466011	4058546272289
0052 7	8	SCREW	4931466012	4058546272296
0053 8	2	WASHER	4931466013	4058546272302
0054 9	1	PROTECTION WASHER	4931466014	4058546272319
0055 10	1	SHAFT	4931466015	4058546272326
0056 11	2	SPRING	4931466016	4058546272333
0057 12	2	BRACKET	4931466017	4058546272340
0058 13	2	PINION	4931466018	4058546272357
0059 14	4	WASHER	4931466019	4058546272364
0060 15	2	SPRING	4931466020	4058546272371
0062 16	2	FISH-PLATE	4931466021	4058546272388
0063 17	16	SCREW	4931466022	4058546272395
0065 18	1	NUT	4931466023	4058546272401
0066 19	1	NUT	4931466024	4058546272418
0069 20	1	CLAMPING LEVER	4931466025	4058546272425
0070 21	1	WASHER	4931466026	4058546272432
0071 22	3	NUT	4931466027	4058546272449
0072 23	2	FISH-PLATE	4931466028	4058546272456
0075 24	2	WASHER	4931466029	4058546272463
0076 25	1	SPRING	4931466030	4058546272470
0081 26	1	TABLE	4931466031	4058546272487
0083 27	1	SETTING GAUGE	4931466032	4058546272494
0086 28	2	SWITCH MAGNETIC	4931466033	4058546272500
0101 29	1	FASTENING BOLT	4931466034	4058546272517
0102 30	2	SCREW	4931466035	4058546272524
0108 31	1	SPRING	4931466036	4058546272531
0109 32	1	WASHER	4931466037	4058546272548
0110 33	1	CLAMPING LEVER	4931466038	4058546272555
0111 34	1	SHAFT	4931466039	4058546272562
0112 35	2	SCREW	4931466040	4058546272579
0113 36	1	CAP	4931466041	4058546272586
0114 37	1	PRESSURE PLATE	4931466042	4058546272593
0115 38	3	SCREW	4931466043	4058546272609
0116 39	1	SPRING	4931466044	4058546272616
0117 40	1	NUT	4931466045	4058546272623
0118 41	1	WASHER	4931466046	4058546272630
0130 42	1	O-RING	4931466047	4058546272647
0131 43	1	GEAR CASE	4931466048	4058546272654
0132 44	1	O-RING	4931466049	4058546272661
0142 45	6	SCREW	4931466050	4058546272678
0144 46	3	SCREW	4931466051	4058546272685
0145 47	1	MOTOR COVER	4931466052	4058546272692
0157 48	1	WASHER	4931466053	4058546272708
0160 49	10	SCREW	4931466054	4058546272715
0161 50	1	CLAMP	4931466055	4058546272722

Position	Quantity	Description	Part number	EAN
0162 51	1	PLUG	4931466056	4058546272739
0168 52	1	SETTING GAUGE	4931466057	4058546272746
0169 53	1	COVER	4931466141	4058546273583
0170 54	7	SCREW	4931466058	4058546272753
0171 55	10	SCREW	4931466059	4058546272760
0172 56	1	COVER PLATE	4931466060	4058546272777
0175 57	1	COVER	4931466061	4058546272784
0176 58	1	COVER	4931466062	4058546272791
0177 59	1	CONNECTION PLATE	4931466063	4058546272807
0181 60	3	SCREW	4931466064	4058546272814
0182 61	1	MAGNET	4931466065	4058546272821
0183 62	1	HOUSING	4931466066	4058546272838
0184 63	1	SWITCH	4931466067	4058546272845
0185 64	1	PIN	4931466068	4058546272852
0186 65	1	SPRING	4931466069	4058546272869
0187 66	1	COVER	4931466070	4058546272876
0188 67	1	PROTECTION WASHER	4931466071	4058546272883
0191 68	15	SCREW	4931466072	4058546272890
0193 69	1	SCREW	4931466073	4058546272906
0194 70	1	NUT	4931466074	4058546272913
0195 71	1	KNOB	4931466075	4058546272920
0196 72	1	WHEEL	4931466076	4058546272937
0197 73	3	NUT	4931466077	4058546272944
0199 74	1	O-RING	4931466078	4058546272951
0200 75	1	PROTECTION WASHER	4931466079	4058546272968
0201 76	2	WASHER	4931466080	4058546272975
0202 77	1	WASHER	4931466081	4058546272982
0203 78	2	WASHER	4931466082	4058546272999
0204 79	1	BEVEL GEAR	4931466083	4058546273002
0205 80	1	BEVEL GEAR	4931466084	4058546273019
0206 81	1	HOLDING BRACKET	4931466085	4058546273026
0207 82	2	SCREW	4931466086	4058546273033
0208 83	1	WASHER	4931466087	4058546273040
0209 84	1	WASHER	4931466088	4058546273057
0210 85	1	SCREW	4931466089	4058546273064
0211 86	7	SCREW	4931466090	4058546273071
0212 87	1	SHAFT	4931466091	4058546273088
0213 88	1	SHAFT	4931466092	4058546273095
0214 89	2	SCREW	4931466093	4058546273101
0215 90	1	DUST CAP	4931466094	4058546273118
0216 91	1	DUST CAP	4931466095	4058546273125
0217 92	4	SCREW	4931466096	4058546273132
0218 93	4	WASHER	4931466097	4058546273149
0219 94	4	SPRING	4931466098	4058546273156
0220 95	1	HOLDING BRACKET	4931466099	4058546273163
0221 96	4	SCREW	4931466100	4058546273170
0222 97	1	HOUSING	4931466101	4058546273187
0223 98	1	HOLDING BRACKET	4931466102	4058546273194
0224 99	1	DUST CAP	4931466103	4058546273200
0225 100	1	SCREW	4931466104	4058546273217

Position	Quantity	Description	Part number	EAN
0226 101	1	HANDLE	4931466105	4058546273224
0227 102	1	WASHER	4931466106	4058546273231
0228 103	1	SCREW	4931466107	4058546273248
0229 104	1	POINTER	4931466108	4058546273255
0230 105	1	WASHER	4931466109	4058546273262
0233 106	1	HOUSING	4931466110	4058546273279
0235 107	3	SCREW	4931466111	4058546273286
0260 108	1	GUARD	4931466112	4058546273293
0261 109	1	HOLDING-DOWN DEVICE	4931466113	4058546273309
0264 110	1	INDICATOR SET	4931466114	4058546273316
0265 111	1	SPRING	4931466115	4058546273323
0266 112	2	GUIDE RAIL	4931466116	4058546273330
0267 113	1	STOP	4931466117	4058546273347
0268 114	1	STOP	4931466118	4058546273354
0271 115	1	BUSHING	4931466119	4058546273361
0272 116	1	COVER	4931466120	4058546273378
0273 117	1	CLAMP	4931466121	4058546273385
0275 118	1	SHAFT	4931466122	4058546273392
0276 119	1	SWITCH	4931466123	4058546273408
0277 120	1	MOTOR ASSEMBLY	4931466124	4058546273415
0278 121	1	BATTERY BOX	4931466125	4058546273422
0279 122	1	HANDLE	4931466126	4058546273439
0280 123	1	FOOT	4931466127	4058546273446
0281 124	1	SHAFT	4931466128	4058546273453
0290 125	1	ADAPTOR	4931466129	4058546273460
0291 126	1	STOP	4931466130	4058546273477
0292 127	1	GUARD	4931466131	4058546273484
0293 128	1	GUARD	4931466132	4058546273491
0294 129	1	INDICATOR SET	4931466133	4058546273507
0295 130	1	SCREW	4931466134	4058546273514
0296 131	1	COVER	4931466135	4058546273521
0297 132	1	HOUSING	4931466136	4058546273538
0298 133	1	BATTERY CAP	4931466137	4058546273545
0299 134	1	RATING PLATE	4931466138	4058546273552
0300 135	1	COVER	4931466139	4058546273569
0301 136	2	CAM	4931466140	4058546273576
0303 137	1	SCREW	4931466142	4058546273590
0304 138	1	LEVER	4931466143	4058546273606
0305 139	1	COVER	4931466144	4058546273613
0306 140	1	COVER	4931466145	4058546273620