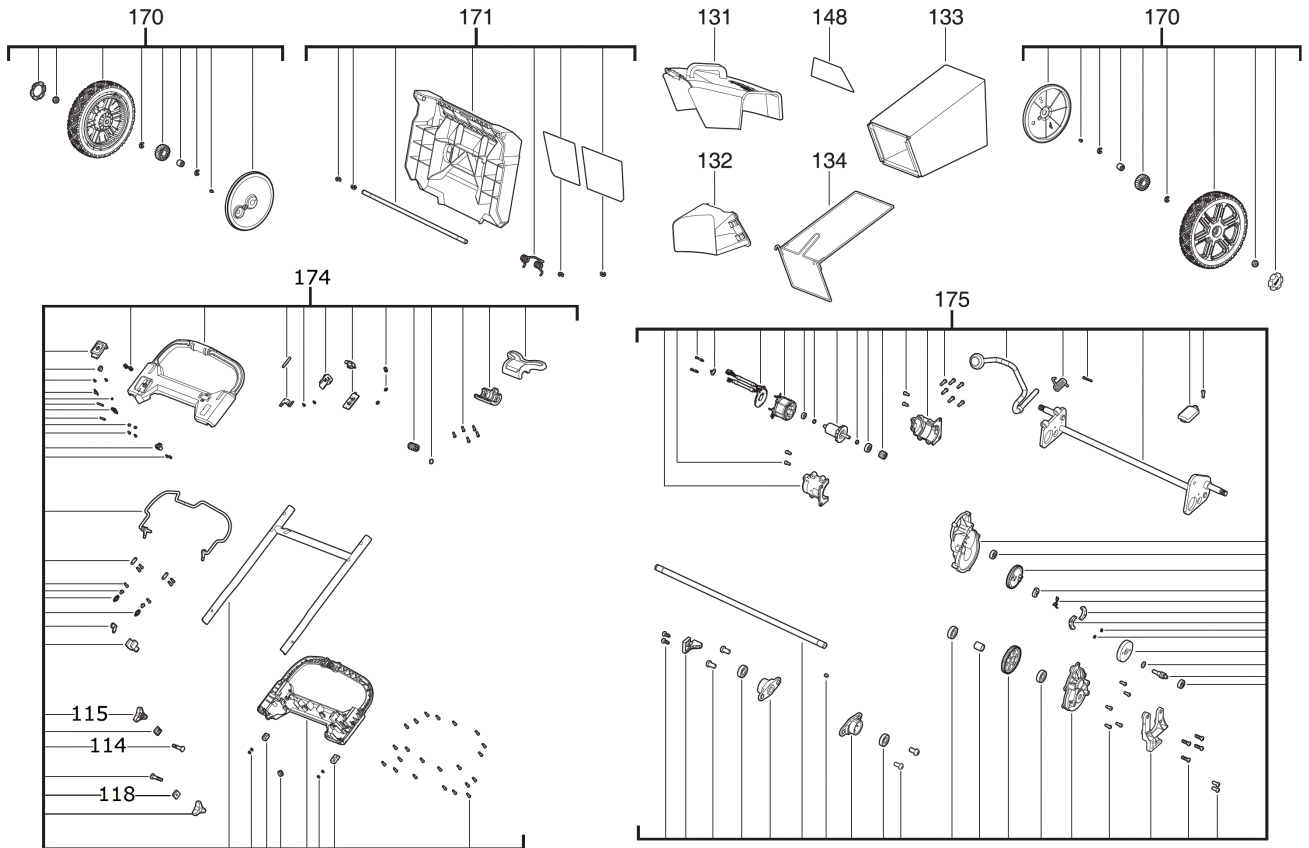
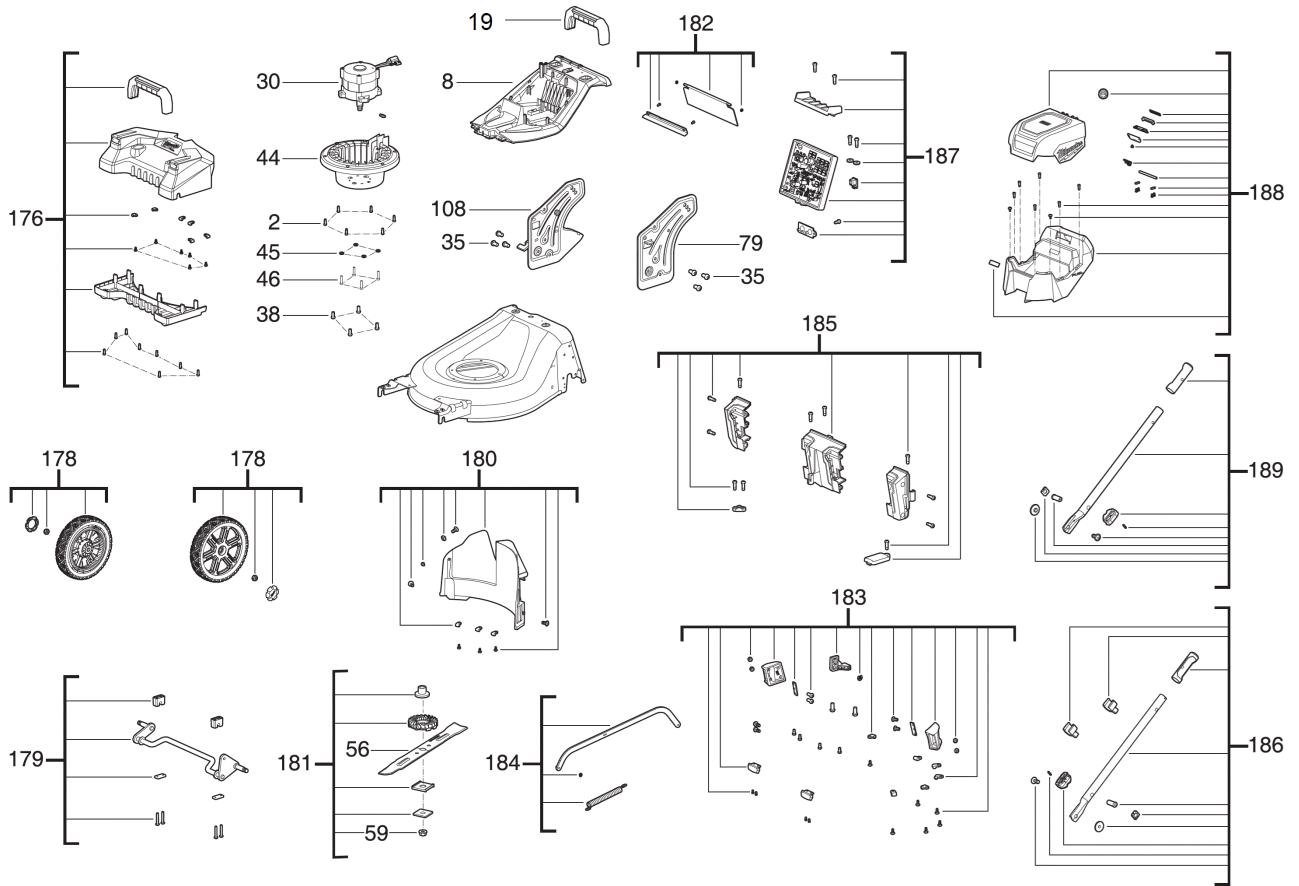


M18F2LM53-122 DB LAWN MOWER 53CM IN2

4933499213 - M18F2LM53-122 - 4000503797





Position	Quantity	Description	Part number	EAN
0002 1	6	SCREW	4931479948	4058546397111
0008 2	1	HOUSING	4931494111	4058546429928
0019 3	1	HANDLE	4931512140	4058546659967
0030 4	1	MOTOR	4931494112	4058546429935
0035 5	6	SCREW	4931494113	4058546429942
0038 6	4	SCREW	4931494114	4058546429959
0044 7	1	MOTOR HOUSING	4931496855	4058546539924
0045 8	4	WASHER	4931480509	4058546425241
0046 9	4	SCREW	4931494116	4058546429973
0056 10	1	MOWER BLADE 21IN/ 53 CM	4932479818	4058546376123
0059 11	1	FLANGE NUT	4931496385	4058546535223
0079 12	1	BRACKET	4931494117	4058546429980
0108 13	1	BRACKET	4931494118	4058546466909
0114 14	2	SCREW	4931480478	4058546424930
0115 15	2	KNOB HANDLE	4931480479	4058546424947
0118 16	2	HOLDING PLATE	4931480480	4058546424954
0131 17	1	DIRECT.DUST CHUTE	4931495374	4058546490423
0132 18	1	GUARD PLUG	4931495375	4058546490430
0133 19	1	GRASS-CATCHING BAG	4931495376	4058546490447
0134 20	1	FRAME	4931495377	4058546490454
0148 21	1	RATING PLATE	4931508917	4058546635794
0170 22	2	DRIVE WHEEL	4931508918	4058546635800
0171 23	1	COVER ASSY	4931508919	4058546635817
0174 24	1	HANDLE COMPL.	4931508920	4058546635824
0175 25	1	DRIVE MOTOR	4931508921	4058546635831
0176 26	1	HOUSING	4931480488	4058546425036
0178 27	2	WHEEL	4931480490	4058546425050
0179 28	1	AXLE	4931480491	4058546425067
0180 29	1	DEFLECTOR	4931480492	4058546425074
0181 30	1	CLAMPING SET	4931480493	4058546425081
0182 31	1	GUARD CAP SET	4931508922	4058546635848
0183 32	1	LED LIGHT	4931480495	4058546425104
0184 33	1	SUPPORT BRACKET	4931480496	4058546425111
0185 34	1	GUIDE RAIL	4931480497	4058546425128
0186 35	1	HANDLE RIGHT	4931508923	4058546635855
0187 36	1	ELECTRONIC	4931508924	4058546635862
0188 37	1	BATTERY BOX	4931495378	4058546490461
0189 38	1	HANDLE LEFT	4931508925	4058546635879