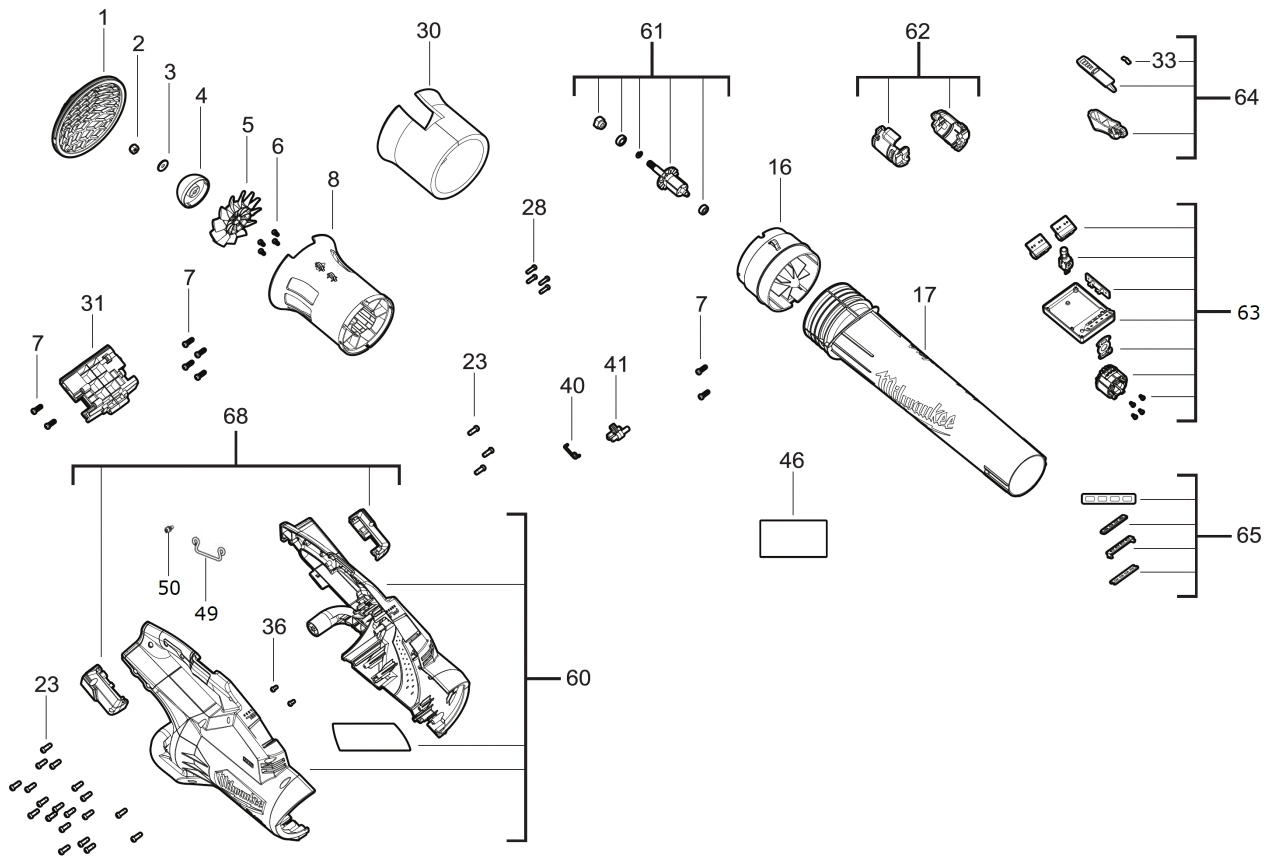


M18F2BL-802 DUAL BATTERY BLOWER IN2

4933499229 - M18F2BL-802 - 4000503636



Position	Quantity	Description	Part number	EAN
0001 1	1	INLET FILTER	4931494421	4058546469931
0002 2	1	NUT	4931465440	4058546235406
0003 3	1	WASHER	4931465439	4058546235390
0004 4	1	CAP	4931465438	4058546235383
0005 5	1	FAN	4931494422	4058546469948
0006 6	4	SCREW	4931494423	4058546469955
0007 7	8	SCREW	4931494424	4058546469962
0008 8	1	REDUCER	4931494425	4058546469979
0016 9	1	UNIV.REDUCTION	4931494426	4058546469986
0017 10	1	TUBE	4931494427	4058546469993
0023 11	22	SCREW	4931479948	4058546397111
0028 12	4	SCREW	4931453227	4002395153206
0030 13	1	FOAM	4931494428	4058546470005
0031 14	1	POWER MODULE	4931494429	4058546470012
0033 15	1	SPRING PLATE	4931452341	4002395172528
0036 16	2	SCREW	4931431788	4002395895717
0040 17	1	SPRING	4931494430	4058546470029
0041 18	1	LOCK	4931494431	4058546470036
0046 19	1	RATING PLATE	4931507029	4058546595401
0049 20	1	WIRE	4931496490	4058546536275
0050 21	1	SCREW	4931435015	4002395856633
0060 22	1	HOUSING	4931507030	4058546595418
0061 23	1	ROTOR	4931494434	4058546470067
0062 24	1	MOTOR HOUSING	4931494435	4058546470074
0063 25	1	ELECTRONIC	4931507031	4058546595425
0064 26	1	TRIGGER	4931507222	4058546597337
0065 27	1	GAUGE	4931494438	4058546470104