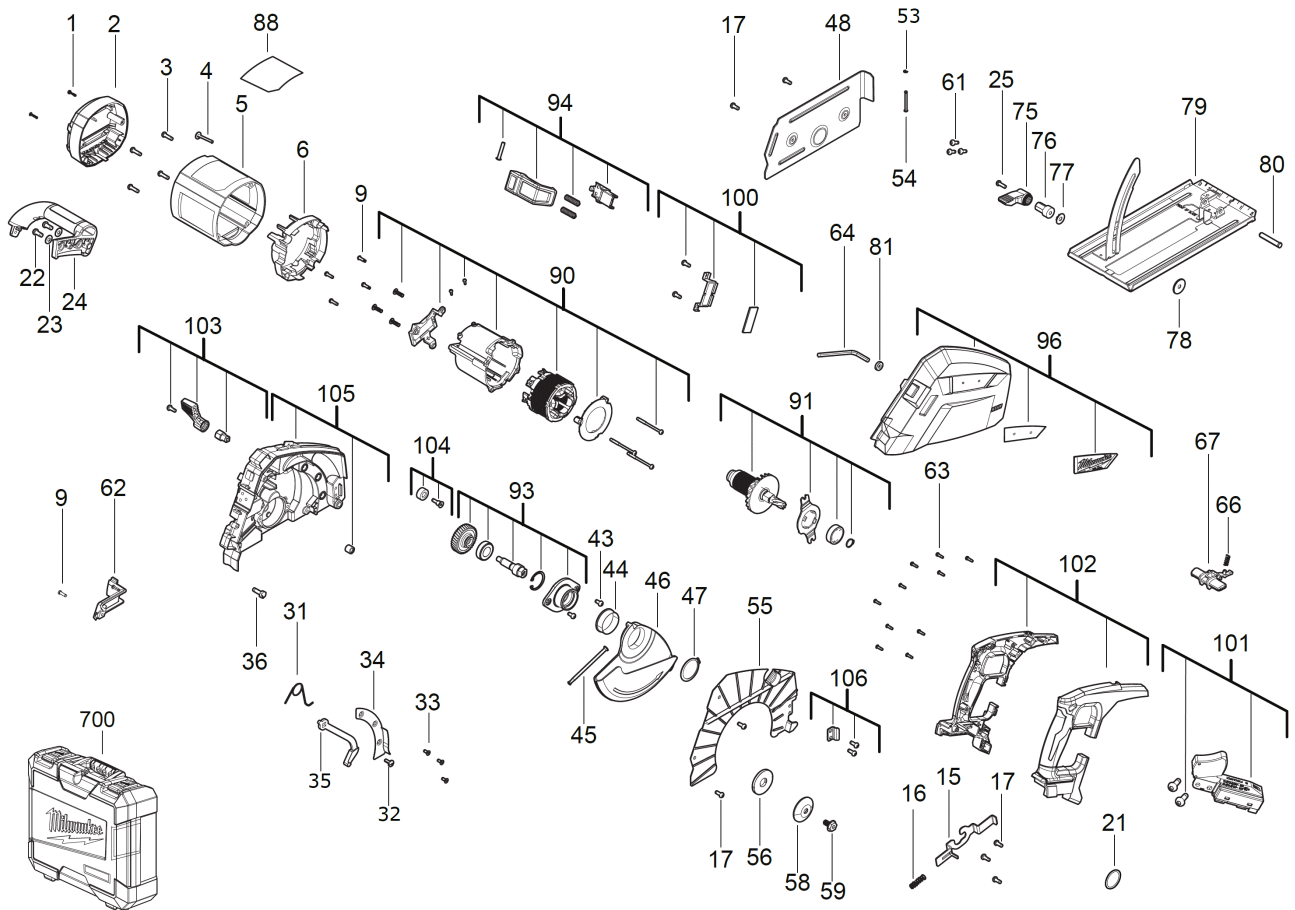


M18FMCS66-121C M12 FUEL CIRC SAW KIT IN2

4933499243 - M18FMCS66-121C - 4000477063



Position	Quantity	Description	Part number	EAN
0001 1	2	SCREW	4931436757	4002395809844
0002 2	1	COVER	4931473870	4058546364380
0003 3	4	SCREW	4931473871	4058546364397
0004 4	1	SCREW	4931454468	4058546008963
0005 5	1	MOTOR HOUSING	4931473872	4058546364403
0006 6	1	AIR GUIDE	4931473873	4058546364410
0009 7	5	SCREW	4931435150	4002395859948
0015 8	1	SPINDLE LOCK	4931473874	4058546364427
0016 9	1	SPRING	4931473875	4058546364434
0017 10	10	LOCKING SCREW	4931465672	4058546237721
0021 11	1	O-RING	34401375	4058546072117
0022 12	2	SCREW	4931472943	4058546332457
0023 13	2	WASHER	Item discontinued(691142001)	
0024 14	1	HANDLE	4931473876	4058546364441
0025 15	1	SCREW	4931473877	4058546364458
0031 16	1	SPRING	Item discontinued(4931435698)	
0032 17	1	SCREW	4931435699	4002395865949
0033 18	3	SCREW	4931473878	4058546364465
0034 19	1	DEFLECTOR	4931473879	4058546364472
0035 20	1	GUARD	4931435700	4002395864478
0036 21	1	SCREW	06755860	4058546068745
0043 22	2	SCREW	4931473880	4058546364489
0044 23	1	PROTECTIVE SLEEVE	4931435707	4002395864560
0045 24	1	SPRING	40500045	4058546072674
0046 25	1	GUARD	4931473881	4058546364496
0047 26	1	THRUST COLLAR	34600860	4058546072247
0048 27	1	COVER	4931473882	4058546364502
0053 28	1	SPRING	4931435714	4002395865925
0054 29	1	CLAMPING BOLT	4931435715	4002395863792
0055 30	1	GUARD	4931473883	4058546364519
0056 31	1	FLANGE	4931435710	4002395864447
0058 32	1	FLANGE	4931435711	4002395864508
0059 33	1	SCREW	660988001	4002395903795
0061 34	4	SCREW TORX SCREW	06825314	4002395851935
0062 35	1	COVER	4931473884	4058546364526
0063 36	10	SCREW	4931465471	4058546235710
0064 37	1	ALLEN KEY	4931473885	4058546364533
0066 38	1	SPRING WASHER	672029001	4002395848683
0067 39	1	TRIGGER	4931461128	4058546033002
0075 40	1	TENSION LEVER	4931461131	4058546033033
0076 41	1	BOLT	4931473886	4058546364540
0077 42	1	WASHER	4931506000	4058546553142
0078 43	1	WASHER	633266001	4002395829996
0079 44	1	GUIDE SHOE	4931473887	4058546364557
0080 45	1	PIN	44601180	4058546073909
0081 46	1	O-RING	4931473888	4058546364564
0088 47	1	RATING PLATE	4931473889	4058546364571
0090 48	1	ELECTRONIC	4931473890	4058546364588
0091 49	1	ROTOR	4931473891	4058546364595
0093 50	1	SPINDLE	4931473892	4058546364601

Position	Quantity	Description	Part number	EAN
0094 51	1	LATCH	4931473893	4058546364618
0096 52	1	GUARD COVER	4931473894	4058546364625
0100 53	1	COVER	4931473895	4058546364632
0101 54	1	SWITCH	4931465965	4058546271824
0102 55	1	HANDLE SET	4931473896	4058546364649
0103 56	1	LOCK COMPLETE	4931473897	4058546364656
0104 57	1	RUBBER BUMPER	4931473898	4058546364663
0105 58	1	GEAR CASE	4931473899	4058546364670
0106 59	1	COVER PLATE	4931473900	4058546364687
0700 60	1	CARRYING CASE	4931473901	4058546364694